

LED Linear Pendant

LP19937-UNV

INSTALLATION SHEET

START FROM HERE

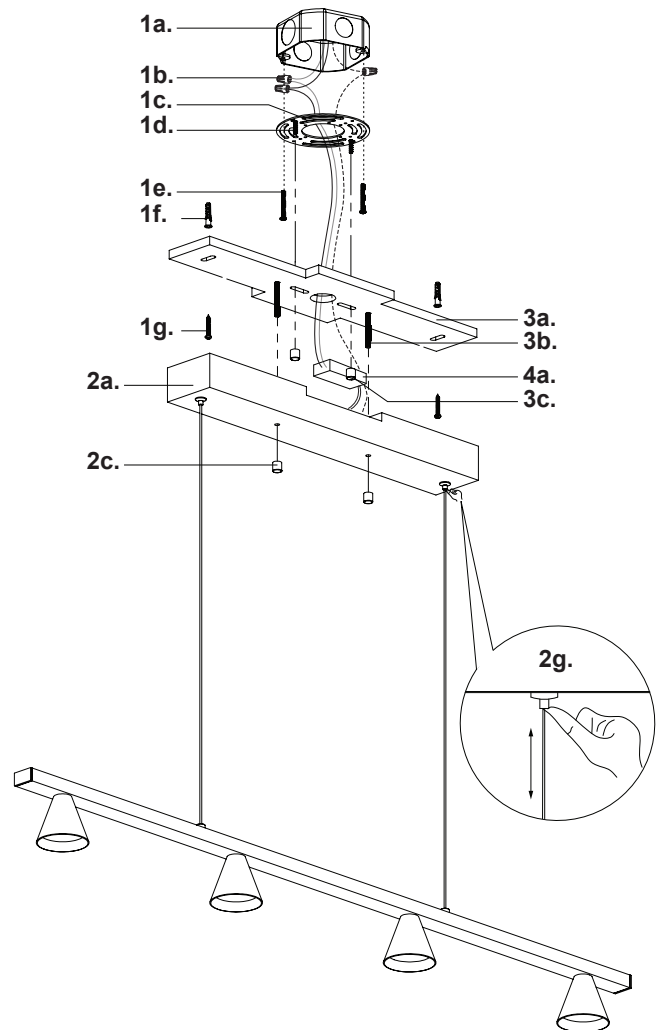
- Make sure **POWER** is **COMPLETELY OFF** at the fuse box
- Have your fixture installed by a qualified licensed electrician
- Prepare everything in a clear area
- Wear gloves at all times during this installation
- Read instructions carefully before you start assembly
- Keep this installation sheet for future reference

Technical Support: 1-855-855-8926

Please Note:

- This Kuzco LED fixture comes with pre-wired LED module(s)
- Unless instructed, Do Not touch any part of the LED module(s) as any unnecessary contact with the module could cause permanent damage
- For dimming, an ELV (Electronic Low Voltage) or TRIAC type of dimmer is required
- 120-277V input

1. Remove fixture from its original package
2. Separate backplate (3a) from canopy (2a) by removing canopy decorative nuts (2c)
3. Separate mounting plate (1c) from backplate (3a) by removing backplate decorative nuts (3c)
4. Attach mounting plate (1c) to electrical junction box (1a) using junction box screws provided (1e) in hardware package
5. To change fixture height, push and hold wire gripper (2g), slide wire to desired length and then release wire gripper (2g) to secure
6. Make proper electrical connections (black to hot "L", white to neutral "N", ground to "GND") with wire nuts (1b) provided in hardware package and place driver (4a) inside canopy (2a)
7. Align mounting plate screws (1d) with holes on backplate (3a) and secure with backplate decorative nuts (3c). Secure backplate (3a) to mounting surface with screws (1g) and anchors (1f)
8. Align backplate screws (3b) with holes on canopy (2a) and secure with canopy decorative nuts (2c)
9. Fine tune wire length if necessary, by push and hold wire gripper (2g) and then adjust wire to desired length



KUZCO

19054 28th Avenue Surrey, BC Canada V3Z 6M3
T: 604 538 7162 TF: 1-855 85 KUZCO F: 604 538 7196
W: kuzcolighting.com
20240806