

Incandescent Semi Flush

SF0731716

INSTALLATION SHEET

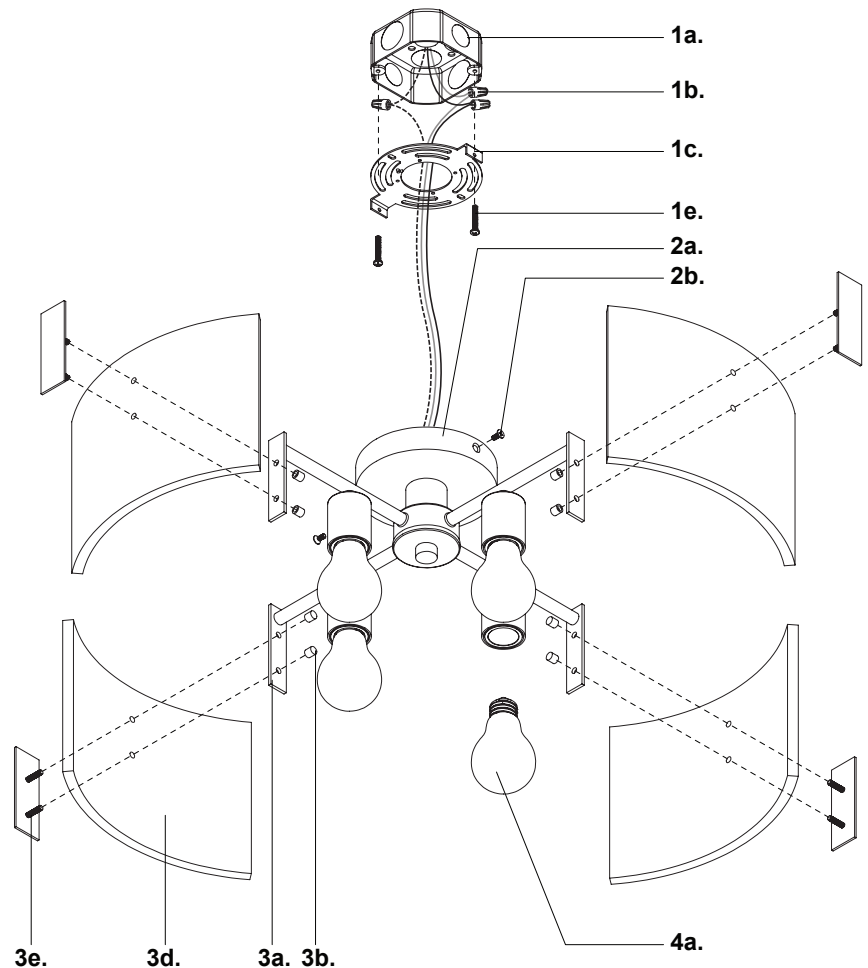
START FROM HERE

- Make sure **POWER** is **COMPLETELY OFF** at the fuse box
- Have your fixture installed by a qualified licensed electrician
- Prepare everything in a clear area
- Wear gloves at all time during this installation
- Read instructions carefully before you start assembly
- Keep this installation sheet for future reference

Please Note:

- 120V input

1. Remove fixture from its original package
2. Separate mounting plate (1c) from canopy (2a) by removing canopy screws (2b)
3. Attach mounting plate (1c) to electrical junction box (1a) using junction box screws provided (1e) in hardware package
4. Make proper electrical connections (**black** to **hot** "L", **white** to **neutral** "N", **ground** to "GND") with wire nuts (1b) provided in hardware package
5. Insert bulb (4a) into fixture socket
6. Attach shade (3d), followed by fixture screw plate (3e) and insert through holes on shade (3d) and fixture (3a), secure with decorative nuts (3b)
7. Attach canopy (2a) to mounting plate (1c) with canopy screws (2b)



SoModern

T: 1.833.8SO.MDRN (76.6376)

W: www.somodernlighting.com

E: info@somodernlighting.com