

LED Vanity Light

VL0743023

INSTALLATION SHEET

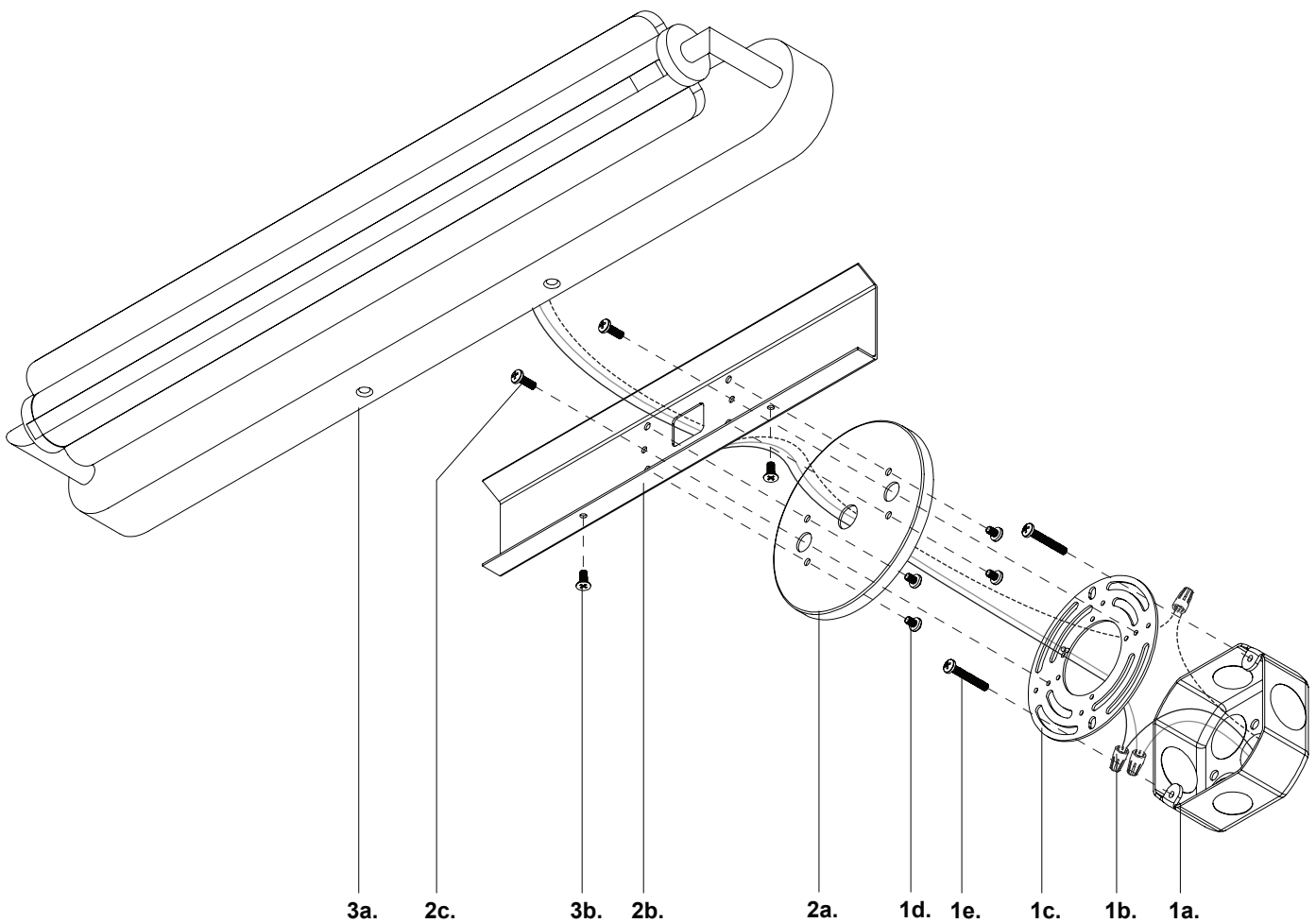
START FROM HERE

- Make sure **POWER** is **COMPLETELY OFF** at the fuse box
- Have your fixture installed by a qualified licensed electrician
- Prepare everything in a clear area
- Wear gloves at all time during this installation
- Read instructions carefully before you start assembly
- Keep this installation sheet for future reference

Please Note:

- This LED fixture comes with pre-wired LED module(s)
- Unless instructed, Do Not touch any part of the LED module(s) as any unnecessary contact with the module could cause permanent damage
- For dimming, an ELV (Electronic Low Voltage) or TRIAC type of dimmer is required
- 120-277V input

- 1.** Remove fixture from its original package
- 2.** Separate mounting plate (1c) from canopy (2a) and backplate (2b) by removing backplate screws (2c)
- 3.** Attach mounting plate (1c) to electrical junction box (1a) using junction box screws provided (1e) in hardware package
- 4.** Make proper electrical connections (**black** to hot "L", **white** to neutral "N", **ground** to "GND") with wire nuts (1b) provided in hardware package
- 5.** Secure canopy (2a) to backplate (2b) with canopy screws (1d). Attach backplate (2b) and canopy (2a) assembly to mounting plate (1c) with backplate screws (2c)
- 6.** Attach fixture (3a) to backplate (2b) with fixture screws (3b)



SoModern

T: 1.833.8SO.MDRN (76.6376)

W: www.somodernlighting.com

E: info@somodernlighting.com