

LED Vanity Light

VL60624-UNV

INSTALLATION SHEET

START FROM HERE

- Make sure power is completely off at the fuse box.
- Have your fixture installed by a qualified licensed electrician
- Prepare everything in a clear area.
- Wear gloves at all times during this installation.
- Read instructions carefully before you start assembly.
- Keep this instruction sheet for future reference.

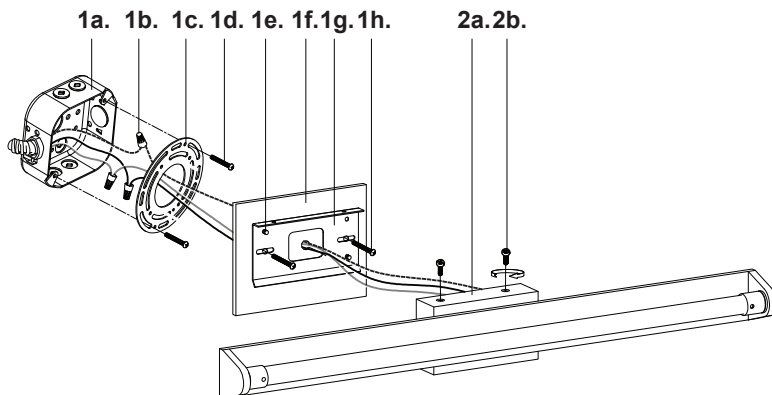
Technical Support: 1-855-855-8926

Please Note:

- This Kuzco LED fixture comes with pre-wired LED module(s)
- Unless instructed, Do Not touch any part of the LED module(s) as any unnecessary contact with the module could cause permanent damage
- For dimming, an ELV (Electronic Low Voltage) or TRIAC type of dimmer is required
- 120-277V input

With Backplate

1. Remove the fixture from its original packaging. Next, remove the mounting plate (1g) from the canopy (2a) by removing canopy screws (2b)
2. Secure the universal mounting plate (1c) to the electrical junction box (1a) with junction box screws (1d) provided in the hardware package. Secure backplate (1f) to mounting plate (1g) with screws (1e). Attach backplate (1f) and mounting plate (1g) assembly to universal mounting plate (1c) with screws (1h)
3. Make proper electrical connections (**black to hot "L"**, **white to neutral "N"**, **ground to "GND"**) with wire nuts (1b) provided in hardware package
4. Attach the canopy (2a) to mounting plate (1g) and secure with canopy screws (2b)



Without Backplate

1. Remove the fixture from its original packaging. Next, remove the mounting plate (1g) from the canopy (2a) by removing canopy screws (2b)
2. Attach mounting plate (1g) to single gang box (1a) with screws (1h)
3. Make proper electrical connections (**black to hot "L"**, **white to neutral "N"**, **ground to "GND"**) with wire nuts (1b) provided in hardware package
4. Attach the canopy (2a) to the mounting plate (1g) and secure with canopy screws (2b)

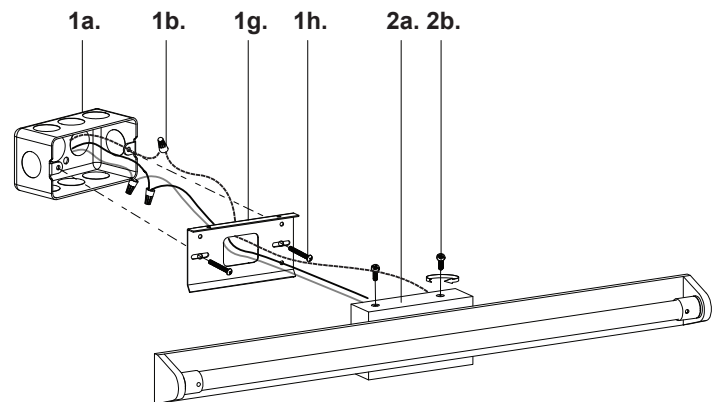
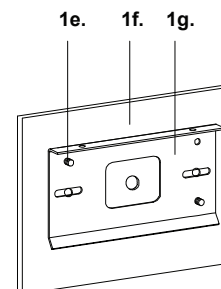


Illustration 1: Backplate + Mounting Plate Disassembly



*The mounting plate (1g) can be detached from the backplate (1f) by removing the screws (1e).

KUZCO

19054 28th Avenue Surrey, BC Canada V3Z 6M3
T: 604 538 7162 TF: 1-855 85 KUZCO F: 604 538 7196
W: kuzcolighting.com
20240618