

LED Wall Sconce

WS0723214

INSTALLATION SHEET

START FROM HERE

- Make sure **POWER** is **COMPLETELY OFF** at the fuse box
- Have your fixture installed by a qualified licensed electrician
- Prepare everything in a clear area
- Wear gloves at all time during this installation
- Read instructions carefully before you start assembly
- Keep this installation sheet for future reference

Please Note:

- This LED fixture comes with pre-wired LED module(s)
- Unless instructed, Do Not touch any part of the LED module(s) as any unnecessary contact with the module could cause permanent damage
- For dimming, an ELV (Electronic Low Voltage) or TRIAC type of dimmer is required
- 120-277V input

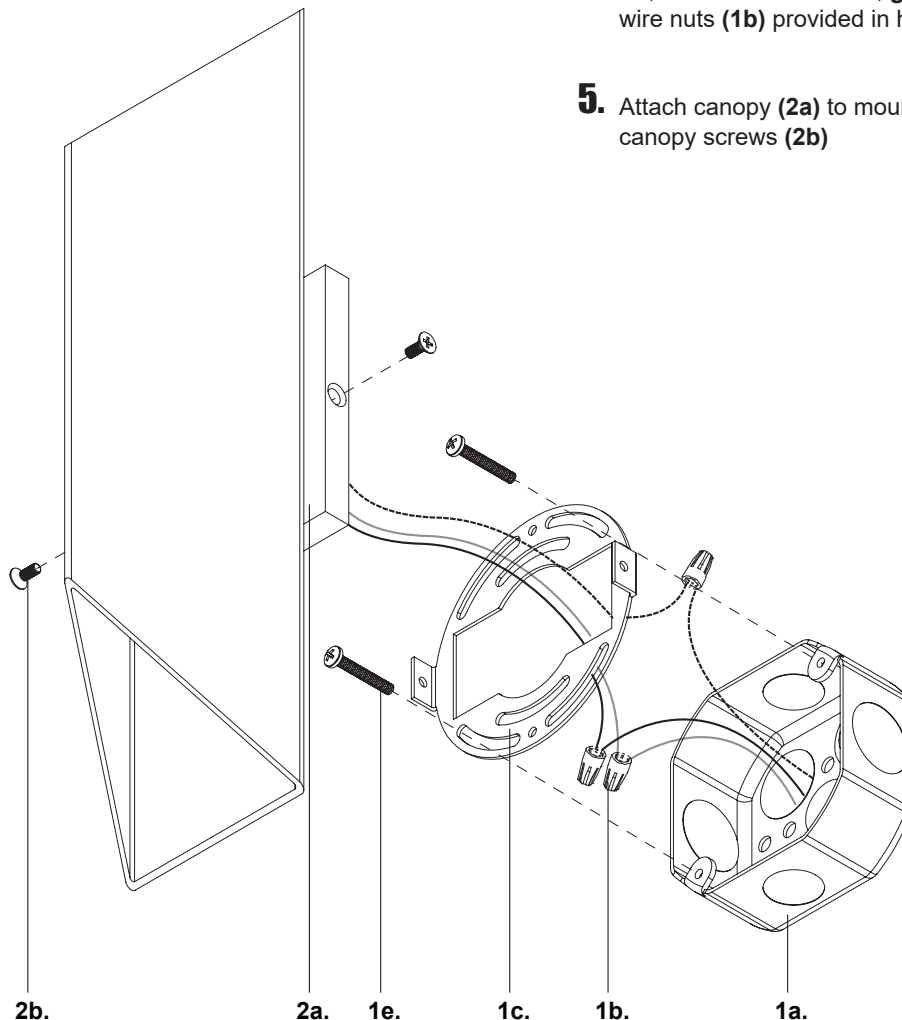
1. Remove fixture from its original package

2. Separate mounting plate (1c) from canopy (2a) by removing canopy screws (2b)

3. Attach mounting plate (1c) to electrical junction box (1a) using junction box screws provided (1e) in hardware package

4. Make proper electrical connections (**black** to **hot** "L", **white** to **neutral** "N", **ground** to "GND") with wire nuts (1b) provided in hardware package

5. Attach canopy (2a) to mounting plate (1c) with canopy screws (2b)



SoModern

T: 1.833.8SO.MDRN (76.6376)

W: www.somodernlighting.com

E: info@somodernlighting.com