

LED Wall Sconce

WS0729017

INSTALLATION SHEET

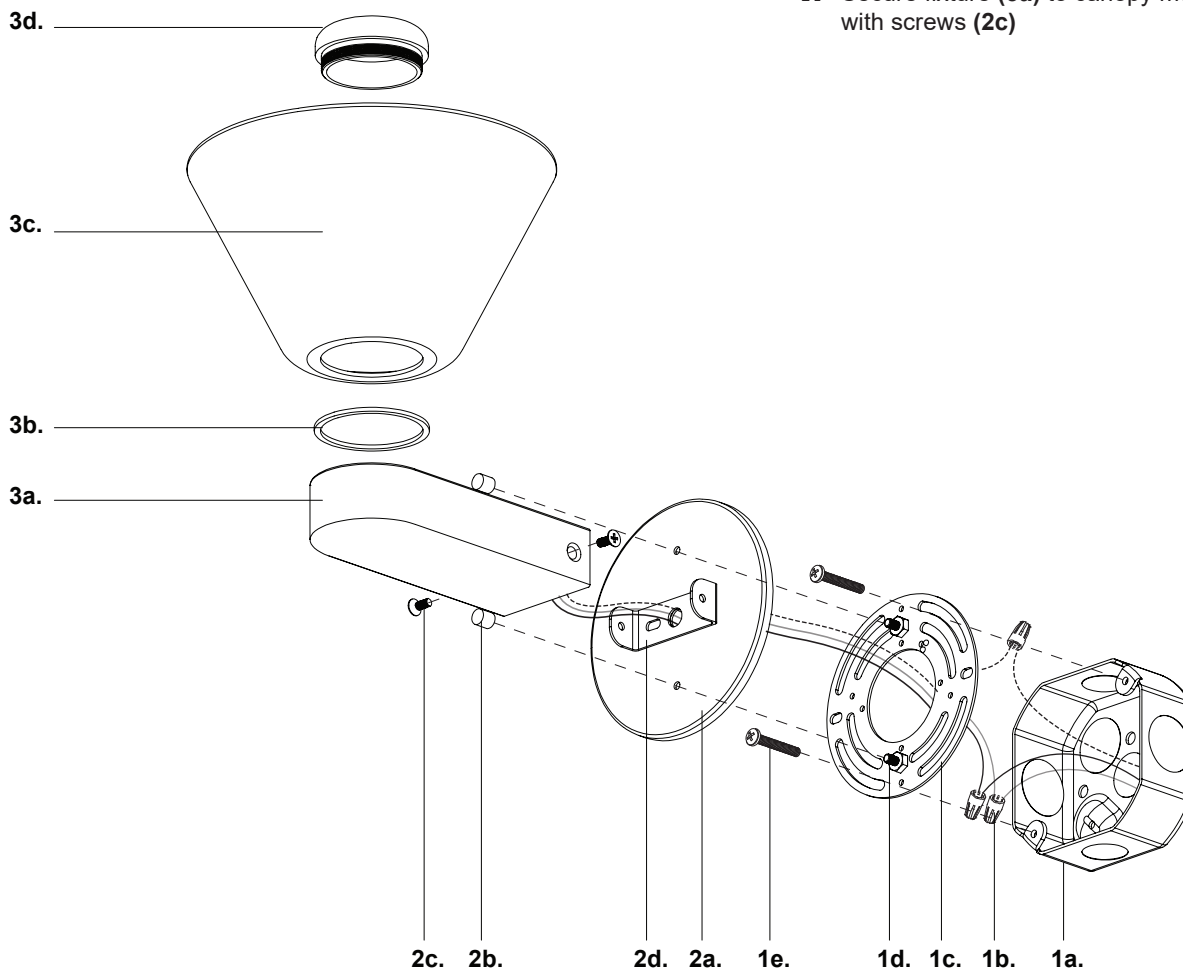
START FROM HERE

- Make sure **POWER** is **COMPLETELY OFF** at the fuse box
- Have your fixture installed by a qualified licensed electrician
- Prepare everything in a clear area
- Wear gloves at all time during this installation
- Read instructions carefully before you start assembly
- Keep this installation sheet for future reference

Please Note:

- This LED fixture comes with pre-wired LED module(s)
- Unless instructed, Do Not touch any part of the LED module(s) as any unnecessary contact with the module could cause permanent damage
- For dimming, an ELV (Electronic Low Voltage) or TRIAC type of dimmer is required
- 120-277V input

- 1.** Remove fixture from its original package
- 2.** Separate mounting plate (1c) from canopy (2a) by removing decorative nuts (2b)
- 3.** Align mounting plate screws (1d) to desired orientation, and then attach mounting plate (1c) to electrical junction box (1a) using junction box screws provided (1e) in hardware package
- 4.** Make proper electrical connections (**black** to **hot** "L", **white** to **neutral** "N", **ground** to "GND") with wire nuts (1b) provided in hardware package
- 5.** Place ring (3b) on fixture (3a), followed by shade (3c) and secure with diffuser (3d) by threading clockwise
- 6.** Align and insert mounting plate screws (1d) through holes on canopy (2a), secure with decorative nuts (2b)
- 7.** Secure fixture (3a) to canopy mounting bracket (2d) with screws (2c)



SoModern

T: 1.833.8SO.MDRN (76.6376)

W: www.somodernlighting.com

E: info@somodernlighting.com