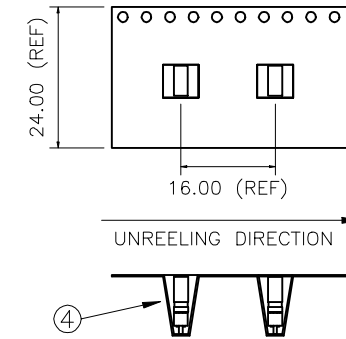
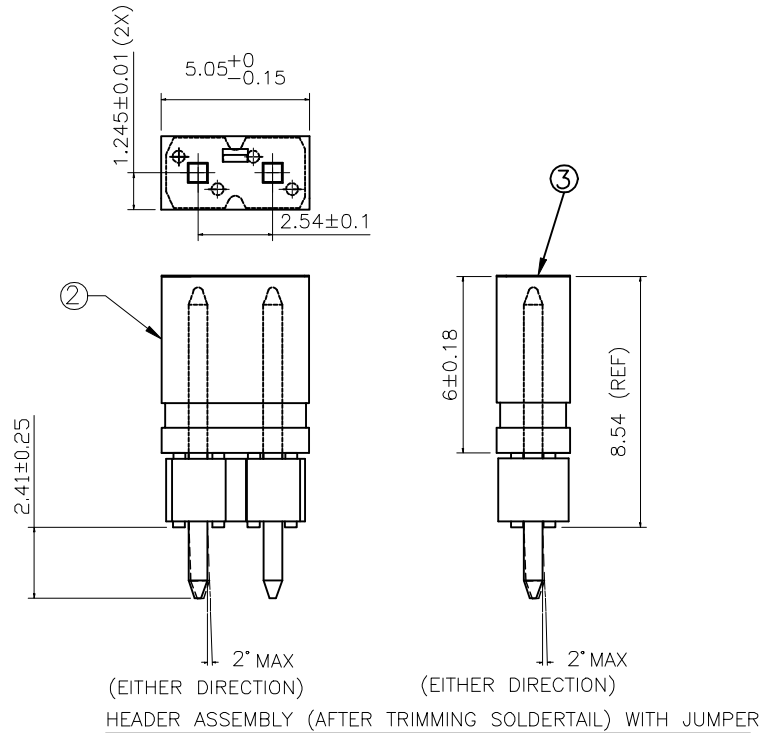
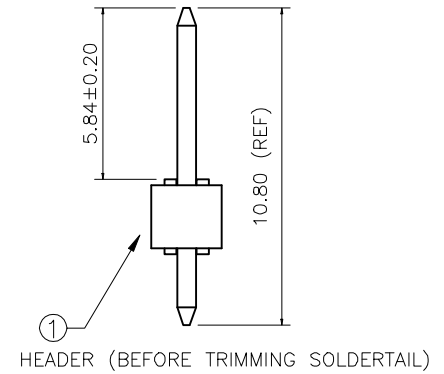


PART NO.
10103269-001LF



* RANDOM ORIENTATION OF CONNECTORS ALLOWED IN EMBOSSED TAPE.

TAPE AND REEL PACKAGING DETAILS



NOTES:

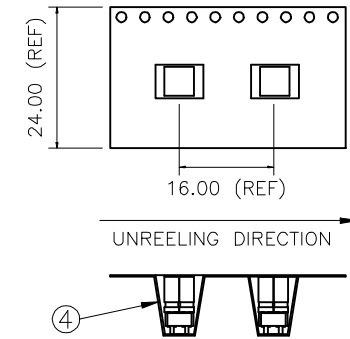
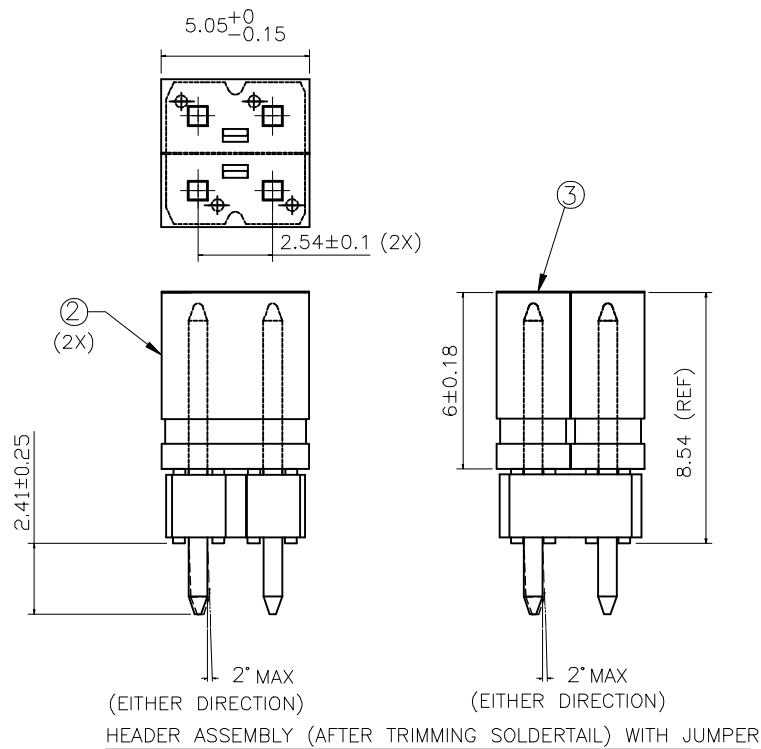
- 1) INSERTION FORCE - 12N MAX
- 2) WITHDRAWAL FORCE - 2N MIN
- 3) THIS PRODUCT MEETS THE EUROPEAN UNION DIRECTIVES AND OTHER COUNTRY REGULATIONS AS DESCRIBED IN GS-22-008.
- 4). MAY BE EITHER GOLD OR GXT PLATED AT MANUFACTURER'S OPTION

LIST OF MATERIAL

NO.	ITEM	PART NUMBER	MATERIAL
1	HEADER	77311-101-02LF	HOUSING: HIGH TEMPERATURE THERMOPLASTIC (BLACK)
			TERMINAL: PHOSPHOR BRONZE
			PLATING: 0.76 um GOLD/GXT ON CONTACT AND 2 um TIN MIN ON SOLDER TAILS.
2	JUMPER	63429-142LF	HOUSING: POLYESTER (BLACK)
			TERMINAL: PHOSPHOR BRONZE
			PLATING: 0.38 um GOLD OR GXT ON CONTACT AREA OVER 1.27um Ni (note 4)
3	KAPTON TAPE	10103270-001	POLYAMIDE
4	EMBOSS TAPE	10103271-001	CONDUCTIVE POLYMER
-	-	-	-

mat'l. code				surface ISO 1302 ✓		tolerance ISO 406 ISO 1101		projection INCH/mm		product family BERGSTIK	
ltr	ecn no	dr	date	tolerances unless otherwise specified		.xx±0.01/0.25		scale 1:1		title HEADER /JUMPER ASSEMBLY (2.54mm)	
C	ELX-N-14097	GM	2013/02/25	angles	linear	.xxx±0.005/.xx±0.13				dwg no sheet 1 of 3 size	
D	ELX-N-14750	ZK	2013/05/14							10103269 A4	
E	ELX-N-36037	MZ	2020/02/14	X*±2°						type Product Customer Drawing	
F	ELX-N-42423	MK	2021/09/23	dr	KH LEE	2009/03/25	Amphenol FCI				
				enrg	ANDREW YONG	2010/07-19					
				chr	ANDREW YONG	2010/07-19					
				appd	JOEY NG	2010/07-19					
sheet index	revision sheet	F 1	F 2	F 3							

PART NO.
10103269-002LF



* RANDOM ORIENTATION OF CONNECTORS ALLOWED IN EMBOSSED TAPE.

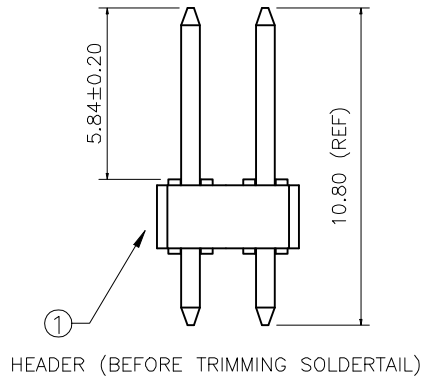
TAPE AND REEL PACKAGING DETAILS

NOTES:

- 1) INSERTION FORCE - 24N MAX PER CONNECTOR PAIR
- 2) WITHDRAWAL FORCE - 4N MIN PER CONNECTOR PAIR
- 3) THIS PRODUCT MEETS THE EUROPEAN UNION DIRECTIVES AND OTHER COUNTRY REGULATIONS AS DESCRIBED IN GS-22-008.
- 4). MAY BE EITHER GOLD OR GXT PLATED AT MANUFACTURER'S OPTION

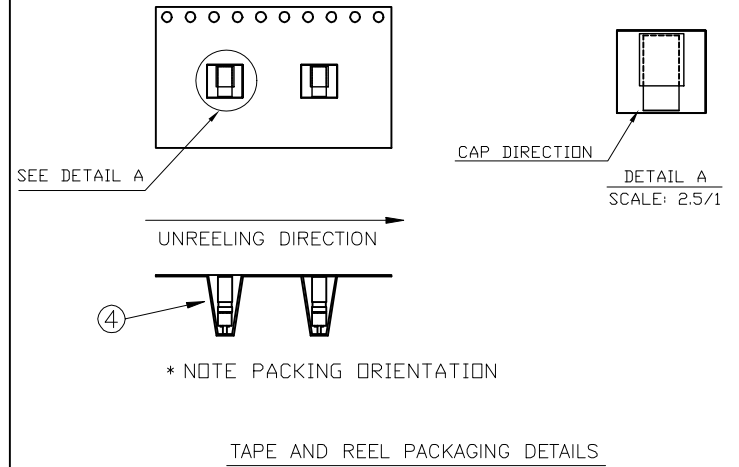
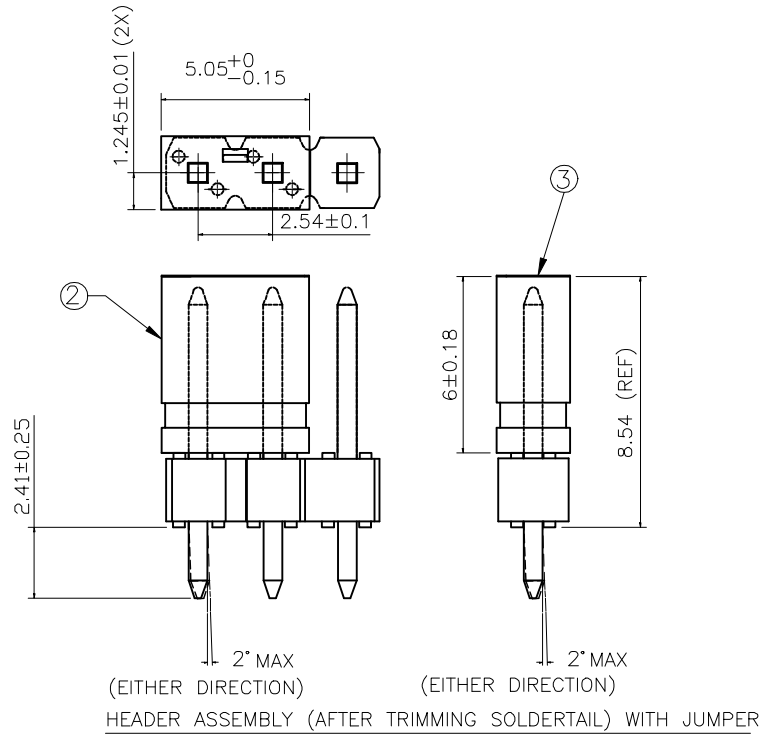
LIST OF MATERIAL

NO.	ITEM	PART NUMBER	MATERIAL
1	HEADER	77313-101-04LF	HOUSING: HIGH TEMPERATURE THERMOPLASTIC (BLACK)
			TERMINAL: PHOSPHOR BRONZE
			PLATING: 0.76 μ m GOLD/GXT ON CONTACT AND 2 μ m TIN MIN ON SOLDER TAILS.
2	JUMPER	63429-142LF	HOUSING: POLYESTER (BLACK)
			TERMINAL: PHOSPHOR BRONZE
			PLATING: 0.38 μ m GOLD OR GXT ON CONTACT AREA OVER 1.27 μ m Ni (note 4)
3	KAPTON TAPE	10103270-002	POLYAMIDE
4	EMBOSS TAPE	10103271-002	CONDUCTIVE POLYMER
-	-	-	-



mat'l. code		surface ISO 1302 <input checked="" type="checkbox"/>	tolerance ISO 406 ISO 1101	projection 	product family BERGSTIK
ltr	ecn no	dr	date	tolerances unless otherwise specified	title
F				linear xx±0.01/0.25 xxx±0.005/xx±0.13	HEADER /JUMPER ASSEMBLY (2.54mm)
				angles X°±2°	INCH/mm
				dr	scale 1:1
				enr	Amphenol FCI
				chr	dwg no
				appd	sheet 2 of 3 size
					10103269 A4
					type Product Customer Drawing
sheet index	revision sheet				

PART NO.
10103269-003LF

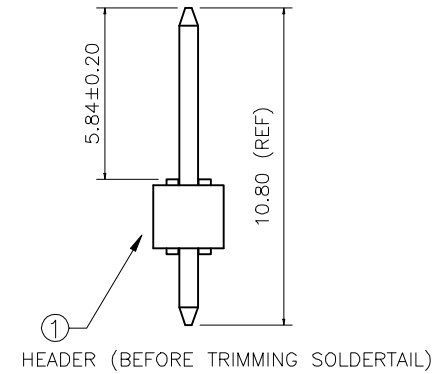


NOTES:

- 1) INSERTION FORCE - 12N MAX
- 2) WITHDRAWAL FORCE - 2N MIN
- 3) THIS PRODUCT MEETS THE EUROPEAN UNION DIRECTIVES AND OTHER COUNTRY REGULATIONS AS DESCRIBED IN GS-22-008.
- 4). MAY BE EITHER GOLD OR GXT PLATED AT MANUFACTURER'S OPTION

LIST OF MATERIAL

NO.	ITEM	PART NUMBER	MATERIAL
1	HEADER	77311-101-03LF	HOUSING: HIGH TEMPERATURE THERMOPLASTIC (BLACK)
			TERMINAL: PHOSPHOR BRONZE
			PLATING: 0.76 μ m GOLD/GXT ON CONTACT AND 2 μ m TIN MIN ON SOLDERTAILS.
2	JUMPER	63429-142LF	HOUSING: POLYESTER (BLACK)
			TERMINAL: PHOSPHOR BRONZE
			PLATING: 0.38 μ m GOLD OR GXT ON CONTACT AREA OVER 1.27 μ m Ni (note 4)
3	KAPTON TAPE	10103270-001	POLYAMIDE
4	EMBOSS TAPE	TBD	CONDUCTIVE POLYMER
-	-	-	-



mat'l. code				surface ISO 1302 <input checked="" type="checkbox"/>		tolerance ISO 406 ISO 1101		projection 		product family BERGSTIK	
ltr	ecn	no	dr	date		tolerances unless otherwise specified		title			
F						.xx±0.01/0.25		INCH/mm		HEADER /JUMPER ASSEMBLY (2.54mm)	
						.xxx±0.005/.xx±0.13		scale		dwg no sheet 3 of 3 size	
						X°±2°		Amphenol FCI		10103269 A4	
						dr KH LEE 2009/03/25				type Product Customer Drawing	
						enr ANDREW YONG 2010/07-19					
						chr ANDREW YONG 2010/07-19					
						appd JOEY NG 2010/07-19					
sheet index	revision sheet										