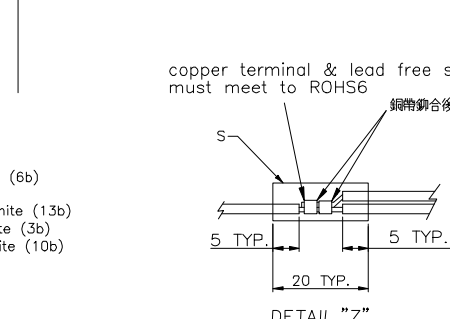
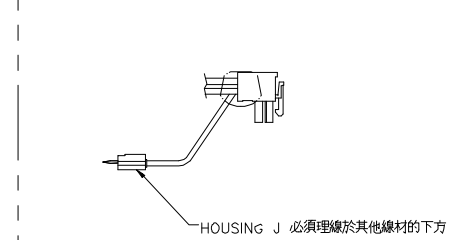
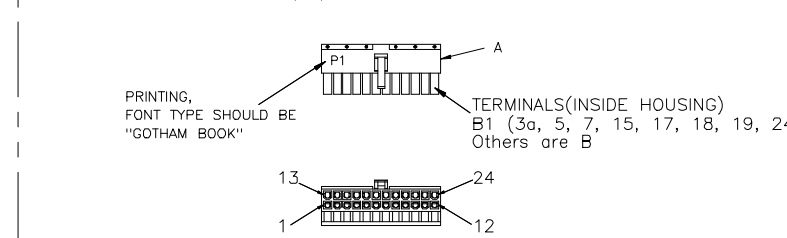
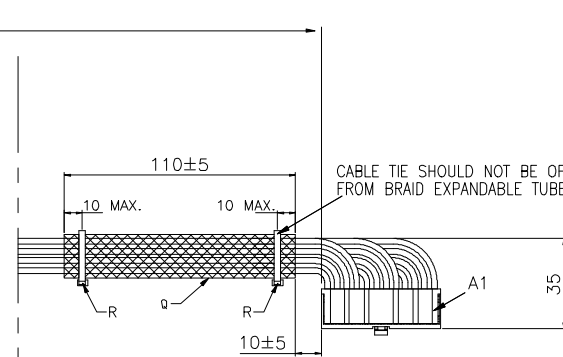
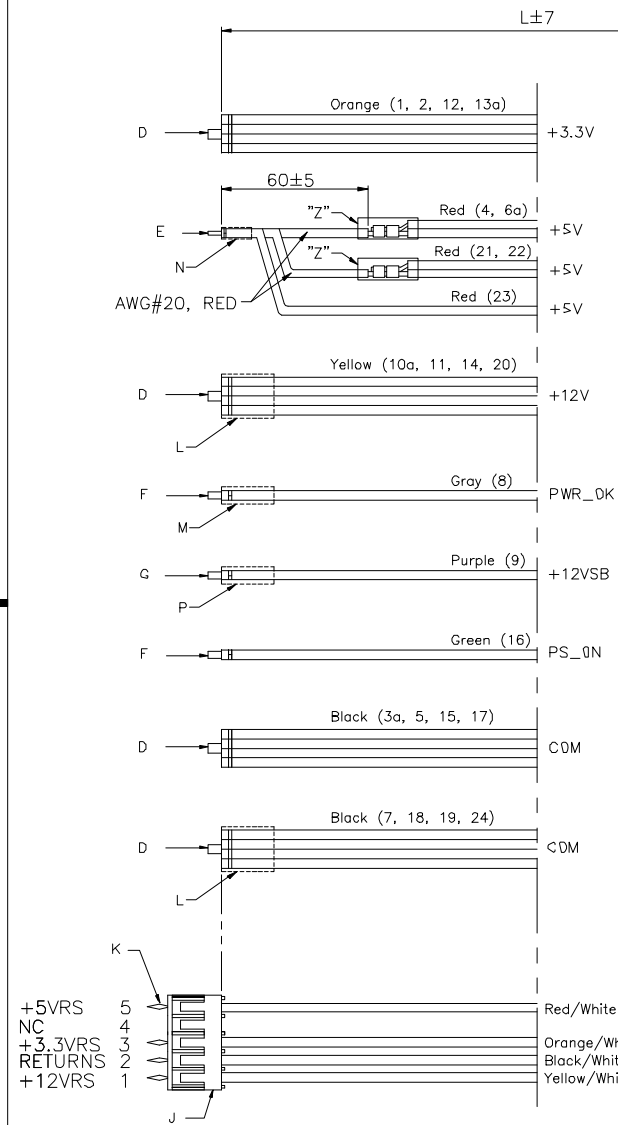


PRODUCT NUMBER
10122956-018LF



MATERIALS:

- A: RA HOUSING, x1, FCI 10122956-H24002
- A1: COVER, x1, FCI 10122956-BC2401
- B: TERMINAL, x16, FCI 10127817-1211F
- B1: HCS TERMINAL, x8, FCI 10130517-1211F
- D: TERMINAL, x4, JWT B3212TOP-A2e
- E: TERMINAL, x1, WELI SHENG INDUSTRIAL PN: H12405PS-2#A
- F: TERMINAL, x2, JWT B1611TOP-2e
- G: TERMINAL, x1, JWT B1815TOP-2e
- J: HOUSING, x1, JWT B2011H02-5P
- K: TERMINAL, x4, JWT B2011TOP-2
- L: H/S TUBE BLACK $\phi 5.0 \times 0.25$, L=10mm, x2
- M: H/S TUBE BLACK $\phi 2.0 \times 0.15$, L=10mm, x1
- N: H/S TUBE BLACK $\phi 4.0 \times 0.25$, L=10mm, x1
- P: H/S TUBE BLACK $\phi 2.5 \times 0.25$, L=10mm, x1
- Q: BRAID EXPANDABLE TUBE, x1, 3/8", BLACK SINGLE STRAND/CARRIER
- R: CABLE TIE, x2
- S: H/S TUBE BLACK $\phi 4.0 \times 0.25$, L=20mm, x2

UL 1430 FLEXIBLE WIRES
(SHORE HARDNESS: 76±5)

PIN NO.	SIZE & Q'TY	SIGNAL	COLOR	L
1, 2, 12, 13a	AWG#20, x4	+3.3V	ORANGE	175
4, 6a, 21, 22, 23	AWG#20, x5	+5V	RED	170
10a, 11, 14, 20	AWG#18, x4	+12V	YELLOW	160
8	AWG#22, x1	PWR_OK	GRAY	170
9	AWG#20, x1	+12VSB	PURPLE	170
16	AWG#22, x1	PS_ON	GREEN	170
3a, 5, 15, 17	AWG#18, x4	COM	BLACK	170
7, 18, 19, 24	AWG#18, x4	COM	BLACK	170
6b	AWG#24, x1	+5VRS	RED/WHITE	175
13b	AWG#24, x1	+3.3VRS	ORANGE/WHITE	175
3b	AWG#24, x1	RETURNS	BLACK/WHITE	175
10b	AWG#24, x1	+12VRS	YELLOW/WHITE	175

mat'l. code		surface	tolerance	projection	product family
ltr ecn no dr date		tolerances unless otherwise specified			MINITEK PWR4.2
A	FU	2013-09-16	0.X ± 0.3	mm	title RIGHT ANGLE WIRE OUTLET CABLE ASSEMBLY
B	ELX-T-18595	TAI	2014-09-24	scale	
		dr	BEER FU	2013-09-16	dwg no 10122956-018LF sheet 1 of 1 size A4
		enr	BEER FU	2013-09-16	
		chr	BEER FU	2013-09-16	
		appd	BEER FU	2013-09-16	
sheet index	revision sheet	B	1		type CUSTOMER Drawing