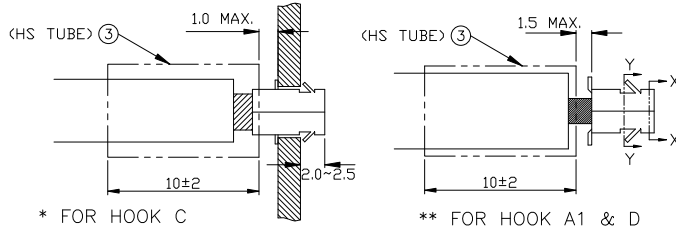
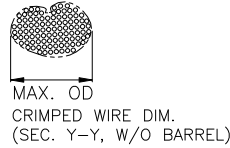
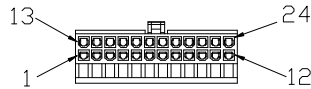
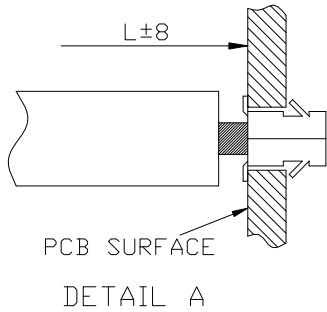
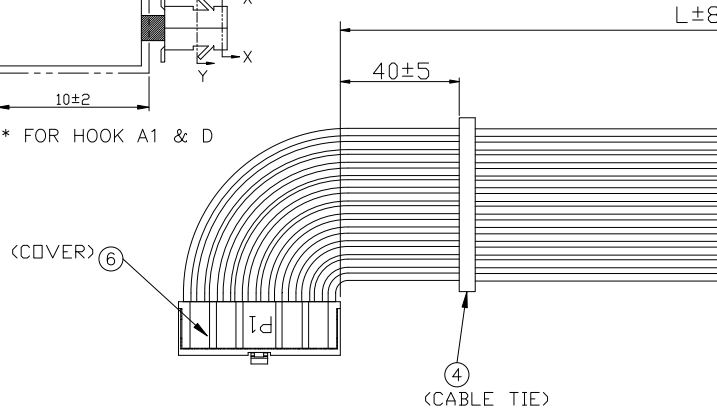


PRODUCT NUMBER
10122956-021LF

HOOK	MAX. OD.
HOOK (A1)	1.45 MAX.
HOOK (C)	2.75 MAX.
HOOK (D)	1.96 MAX.

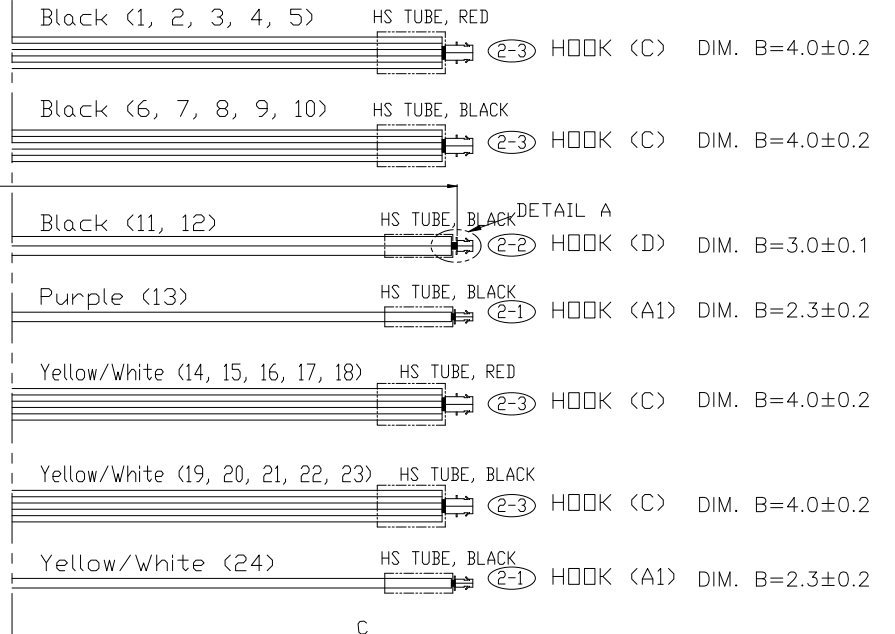


- NOTE:
1. ALL TERMINALS ARE CRIMPED ON THE COPPER WIRES.
2. LATCHES OF THE HOOK ARE NOT ALLOWED TO BE ENVELOPED INSIDE THE HS TUBE.
3. CONDUCTORS CAN EXCEED TERMINAL TIP 0.2mm MAX.

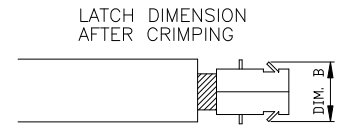
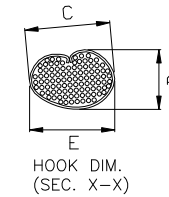


- NOTE:
1. ALL MATERIALS ARE RED-PHOSPHOROUS FREE.

ITEM	DESCRIPTION	SUPPLIER P/N, OR EQUIVALENT	MATERIAL	REMARK
①-①	PVC WIRE, UL1430 VW-1, 105°C 300V, TR-64 FLEXIBLE WIRES	WONDERFUL, LONGWELL, EVERTOP PACIFIC, REI HSING, SUPERCOM TAYA, EVERLONG		RoHS UL CSA APPROVAL
②-①	HOOK (A1), FOR PCB HOLE DIA. 1.8±0.08mm	WST: H11812PS-2#	PHBR, TIN PLATED	RoHS
②-②	HOOK (D), FOR PCB HOLE DIA. 2.4±0.08mm	WST: H12404PS-2#	PHBR, TIN PLATED	RoHS
②-③	HOOK (C), FOR PCB HOLE DIA. 3.2±0.08mm	P3200-ED	PHBR, TIN PLATED	RoHS
③	HALOGEN FREE AND RED PHOSPHORUS FREE FLAME-RETARDANT HEAT SHRINKABLE TUBE LENGTH: 10mm, FOR ALL HOOKS	WOER RSFR-H TUBE		E203950, 125°C, VW-1 HPF BLACK / RED (SEE DRAWING)
③-①				
③-②				
③-③				
④	CABLE TIE	PIN GOOD: YJ-80	PA66, UL94V-2	RoHS
⑤	HSG	FCI 10122956-H24002	PA66, 94V-0, NATURAL	RoHS
⑥	COVER	FCI 10122956-BC2401	PA66, 94V-0, NATURAL	RoHS
⑦	HIGH CURRENT TERMINAL	FCI 10130517-121LF	HIGH CURRENT COPPER ALLOY, TIN PLATED	RoHS



HOOK	C	D	E
HOOK (A1)	1.7 MAX.	1.7 MAX.	1.7 MAX.
HOOK (C)	3.1 MAX.	3.1 MAX.	3.1 MAX.
HOOK (D)	2.3 MAX.	2.3 MAX.	2.3 MAX.



PIN NO. (P1)	WIRE AWG & Q'TY	FUNCTION	COLOR	L	HOOK
1, 2, 3, 4, 5	AWG#18, x5	GND	BLACK	170	HOOK (C)
6, 7, 8, 9, 10	AWG#18, x5	GND	BLACK	163	HOOK (C)
11, 12	AWG#18, x2	GND	BLACK	158	HOOK (D)
13	AWG#18, x1	P12V/STBY	PURPLE	230	HOOK (A1)
14, 15, 16, 17, 18	AWG#18, x5	P12V	YELLOW/WHITE	165	HOOK (C)
19, 20, 21, 22, 23	AWG#18, x5	P12V	YELLOW/WHITE	158	HOOK (C)
24	AWG#18, x1	P12V	YELLOW/WHITE	148	HOOK (A1)

mat'l. code		surface	tolerance	projection	product family
ltr	ecn no	dr	date	tolerances unless otherwise specified	MINITEK PWR4.2
A		TAI	2016-03-21	angles 0.X ± 0.3 0.XX ± 0.13 0.XXX ± 0.05	title RIGHT ANGLE WIRE OUTLET CABLE ASSEMBLY
				0±2°	scale
		dr	KENNY TAI	2015-01-08	dwg no
		enr	KENNY TAI	2015-01-08	sheet 1 of 1
		chr	KENNY TAI	2015-11-18	size
		appd	PM ZHENG	2016-03-21	10122956-021LF
sheet index	revision sheet	A	1		type CUSTOMER Drawing