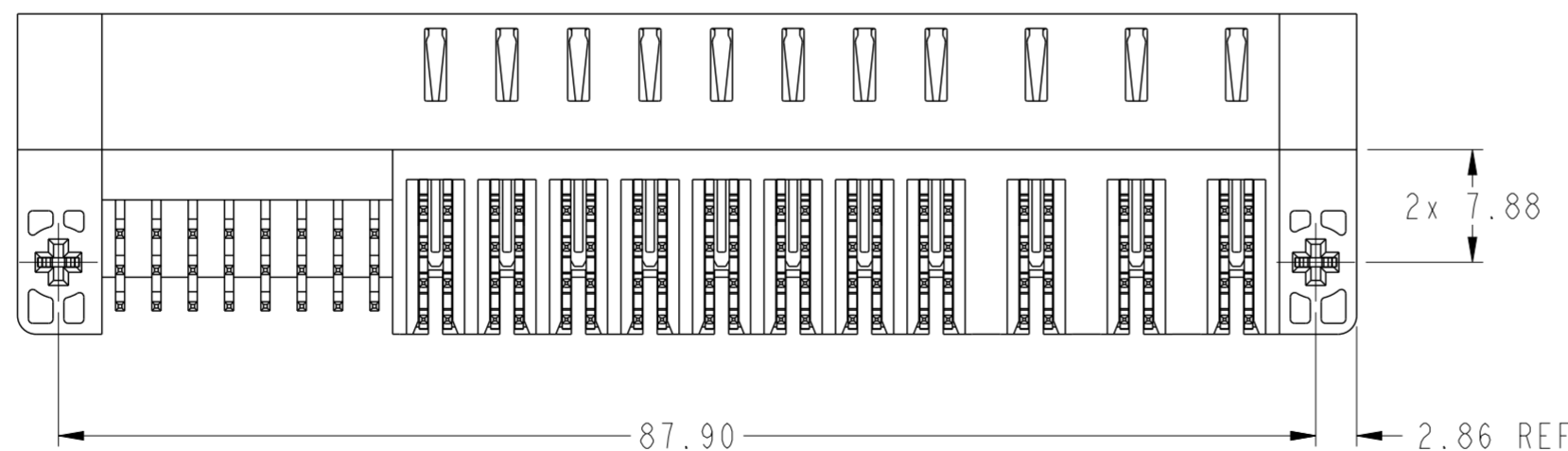
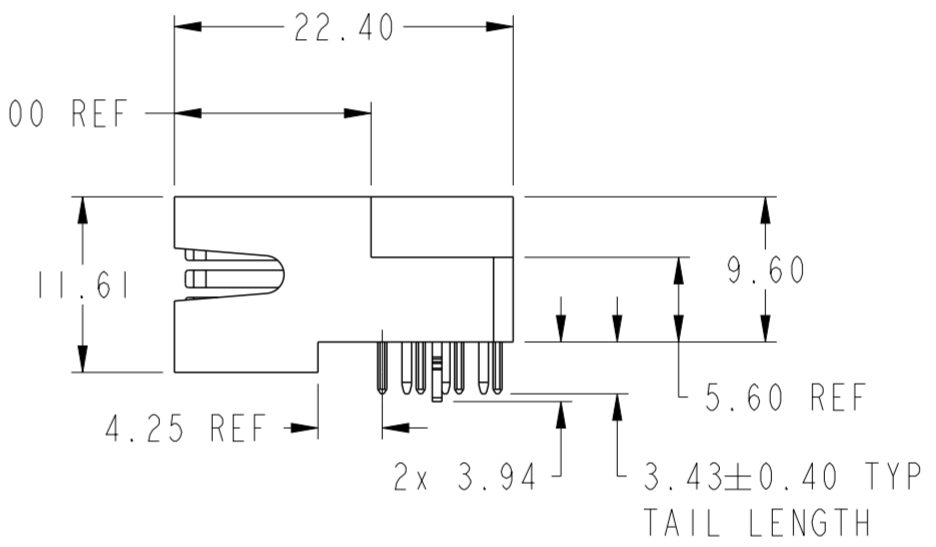
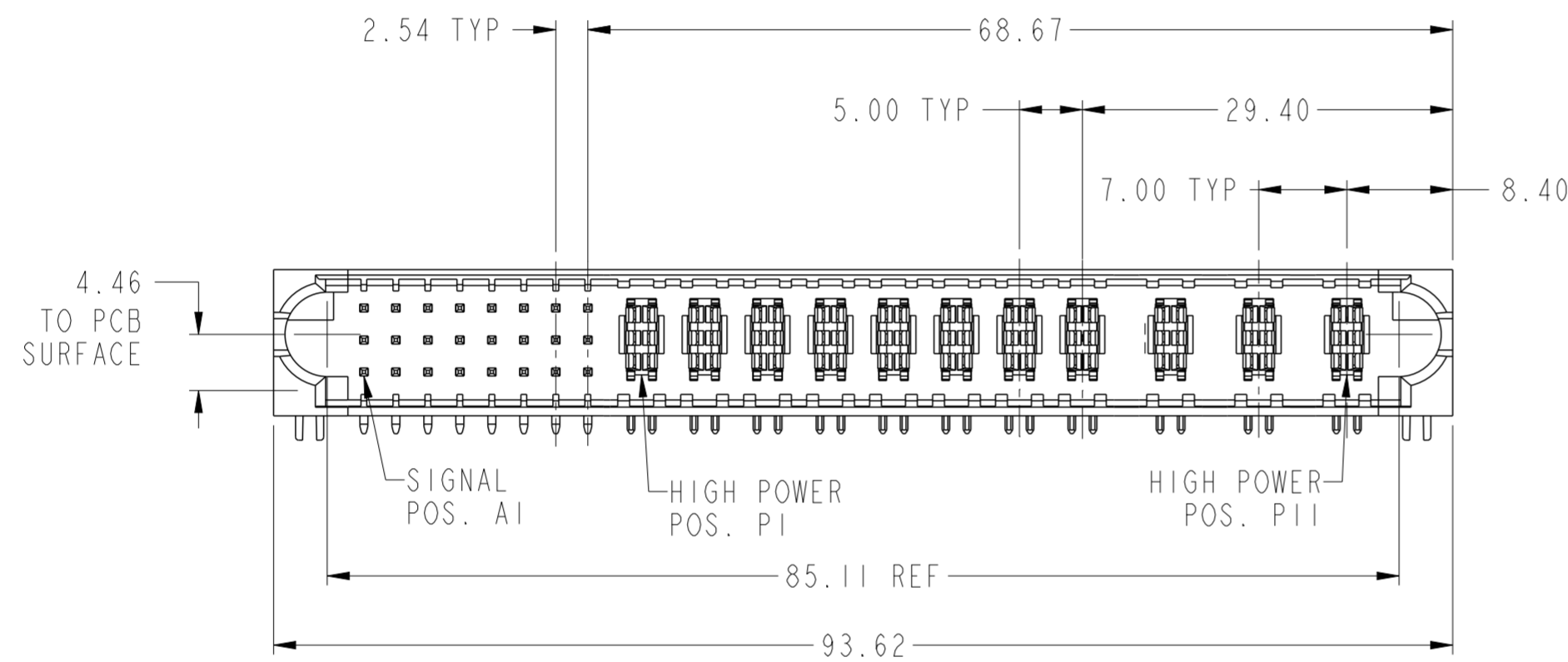
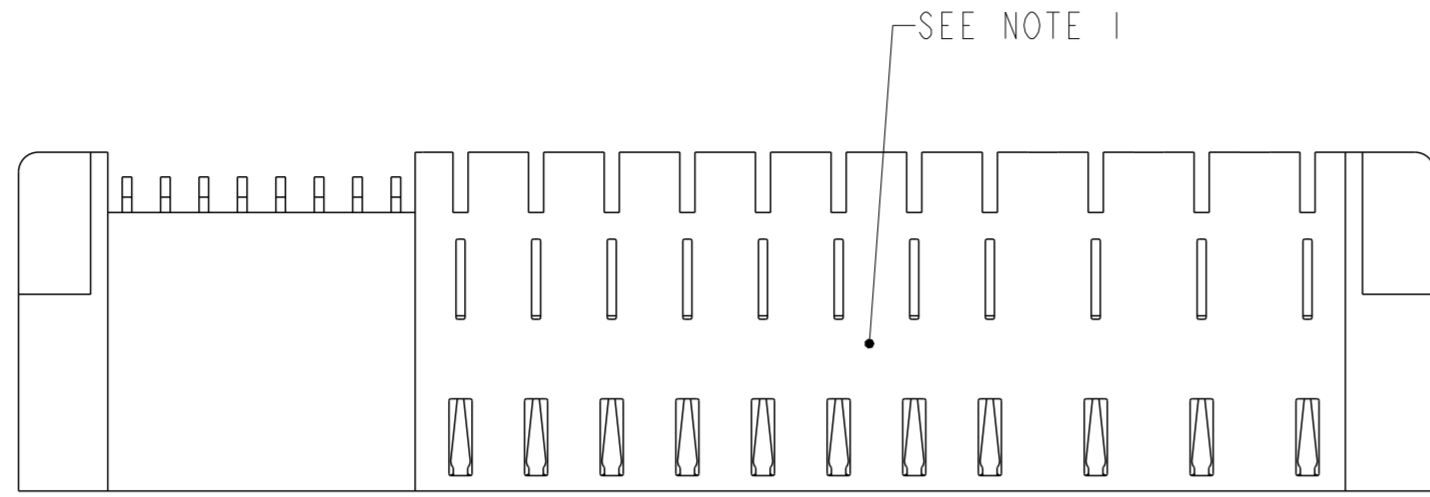


PRODUCT NUMBER
10127397-01H4130LF



spec ref	-	dr	Kaka Zhang	2016/10/14	projection	mm	size	A2	scale	2:1	
tolerance std	ASME Y14.5	eng	Kaka Zhang	2016/10/21			ecn no				
TOLERANCES UNLESS OTHERWISE SPECIFIED		chr	Fancy Zhang	2016/10/21			rel level	Released			
surface	ASME Y14.5	appr	Pai-Ming Zheng	2016/10/21			product family	PwrBlade ULTRA	rel level	Released	
linear	0.X ±0.5 0.XX ±0.25 0.XXX ±0.130			title 24S+8HP+3HVP, SOLDER-TO-BOARD R/A PLUG, PwrBlade ULTRA		dwg no 10127397-01H4130	rev A				
angular	0° ±2°	cat. no.		-		Product - Customer Drw		sheet 1 of 3			

PDS: Rev :A

STATUS:Released

Printed: Jul 25, 2025

Amphenol
FCI

© 2020 Amphenol Corporation

PRODUCT NO.

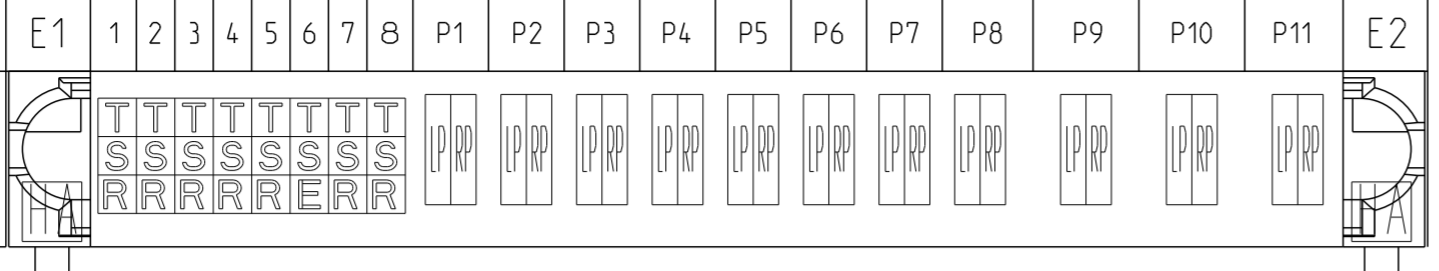
ROWS

SIGNAL

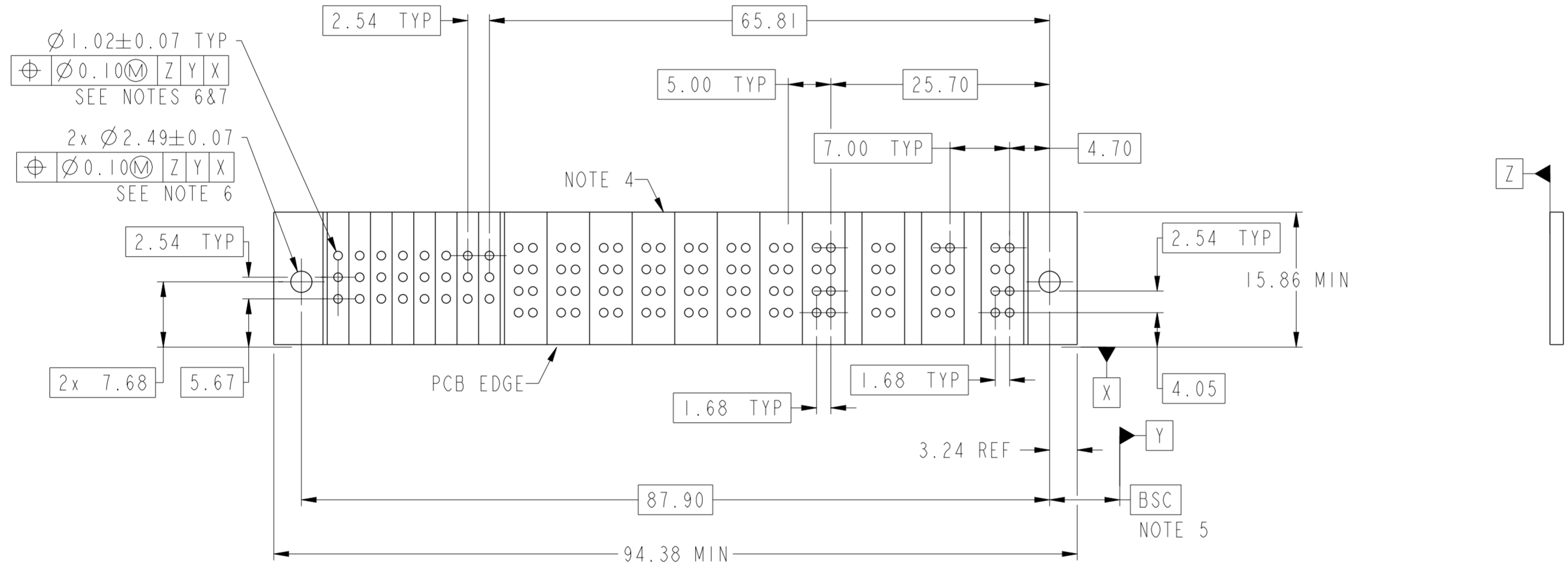
HIGH POWER

10127397-01H4130LF

C
B
A



CODE	DESCRIPTION
LP	LEFT POWER CONTACT
RP	RIGHT POWER CONTACT
R	MFBL SIGNAL CONTACT
S	MFBL SIGNAL CONTACT
T	MFBL SIGNAL CONTACT
E	STD SIGNAL CONTACT
HA	HOLD DOWN



Amphenol
FCi

© 2020 Amphenol Corporation

spec ref	-	dr	Kaka Zhang	2016/10/14	projection	mm	size	A2	scale	2:1	
tolerance std	ASME Y14.5	eng	Kaka Zhang	2016/10/21			ecn no	rel level	Released	rev	
TOLERANCES UNLESS OTHERWISE SPECIFIED		chr	Fancy Zhang	2016/10/21							
		appr	Pai-Ming Zheng	2016/10/21							
surface	linear	0.X	±0.5	Amphenol FCi	product family		PwrBlade ULTRA	title 24S+8HP+3HVP, SOLDER-TO-BOARD R/A PLUG, PwrBlade ULTRA		dwg no 10127397-01H4130	rev A
		0.XX	±0.25		cat. no.		-	Product - Customer Drw		sheet 2 of 3	
	angular	0°	±2°								

PDS: Rev :A

STATUS:Released

Printed: Jul 25, 2025

PRODUCT NUMBER
10127397-01H4130LF

NOTES:

- ①. PRODUCT MARK:
PART NUMBER AND DATE CODE TO BE MARKED ON THIS SURFACE.
THE MARK CAN BE OMITTED IF THERE IS NOT ENOUGH SPACE ON THIS SURFACE.
2. MATERIALS:
HOUSING: HIGH TEMP THERMOPLASTIC WITH GLASS FIBER, UL94V-0, BLACK.
POWER CONTACTS: HIGH CONDUCTIVITY COPPER ALLOY.
SIGNAL CONTACTS: COPPER ALLOY.
HOLD DOWN: COPPER ALLOY.
3. PLATING SPECIFICATION: AFCI 10135186.
- ④. DENOTES CONNECTOR KEEP OUT ZONE.
- ⑤. DATUM AND BASIC DIMENSION ARE ESTABLISHED BY CUSTOMER.
- ⑥. ALL HOLE DIAMETERS ARE FINISHED HOLE SIZES.
- ⑦. 1.150±0.025mm DRILLED HOLE PLATED WITH 7.62µm MIN Sn OVER
25.4µm-76.2µm Cu PLATING TO ACHIEVE A 1.02±0.07mm FINISHED HOLE.
8. THE HOUSING WILL WITHSTAND EXPOSURE TO 265°C PEAK TEMPERATURE FOR 10 SECONDS
IN A WAVE SOLDER APPLICATION.
9. THIS PRODUCT MEETS EUROPEAN UNION DIRECTIVES AND OTHER COUNTRY REGULATIONS
AS DESCRIBED IN AFCI GS-47-0004.
10. PRODUCT SPECIFICATION: AFCI GS-12-1176.
APPLICATION SPECIFICATION: AFCI GS-20-0389.
PRODUCT PACKAGE SPECIFICATION: AFCI GS-14-2354.

Amphenol
FCi

© 2020 Amphenol Corporation

spec ref	-	dr	Kaka Zhang	2016/10/14	projection		mm	size	A2	scale	2:1	
tolerance std	-	eng	Kaka Zhang	2016/10/21	chr	Fancy Zhang	2016/10/21	ecn no				
ASME Y14.5	TOLERANCES UNLESS OTHERWISE SPECIFIED	appr	Pei-Ming Zheng	2016/10/21	product family	PwrBlade ULTRA	rel level	Released				
surface	linear	0.X	±0.5	Amphenol FCi	title	24S+8HP+3HVP, SOLDER-TO-BOARD		dwg no	10127397-01H4130		rev	A
		0.XX	±0.25			R/A PLUG, PwrBlade ULTRA						
		0.XXX	±0.130									
ASME Y14.5	angular	0°	±2°	cat. no.	-	Product - Customer Drw	sheet 3 of 3					

PDS: Rev :A

STATUS:Released

Printed: Jul 25, 2025