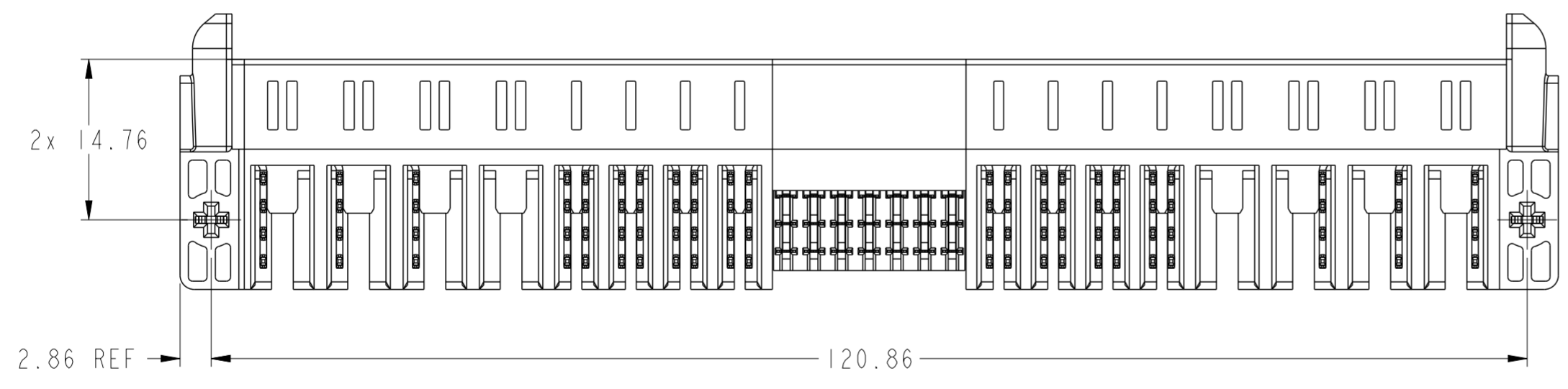
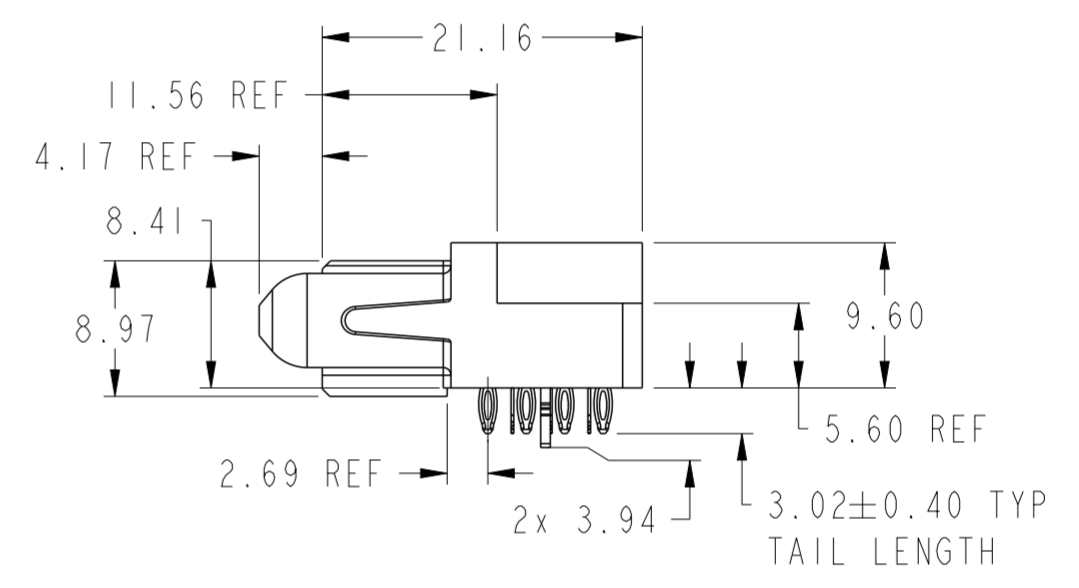
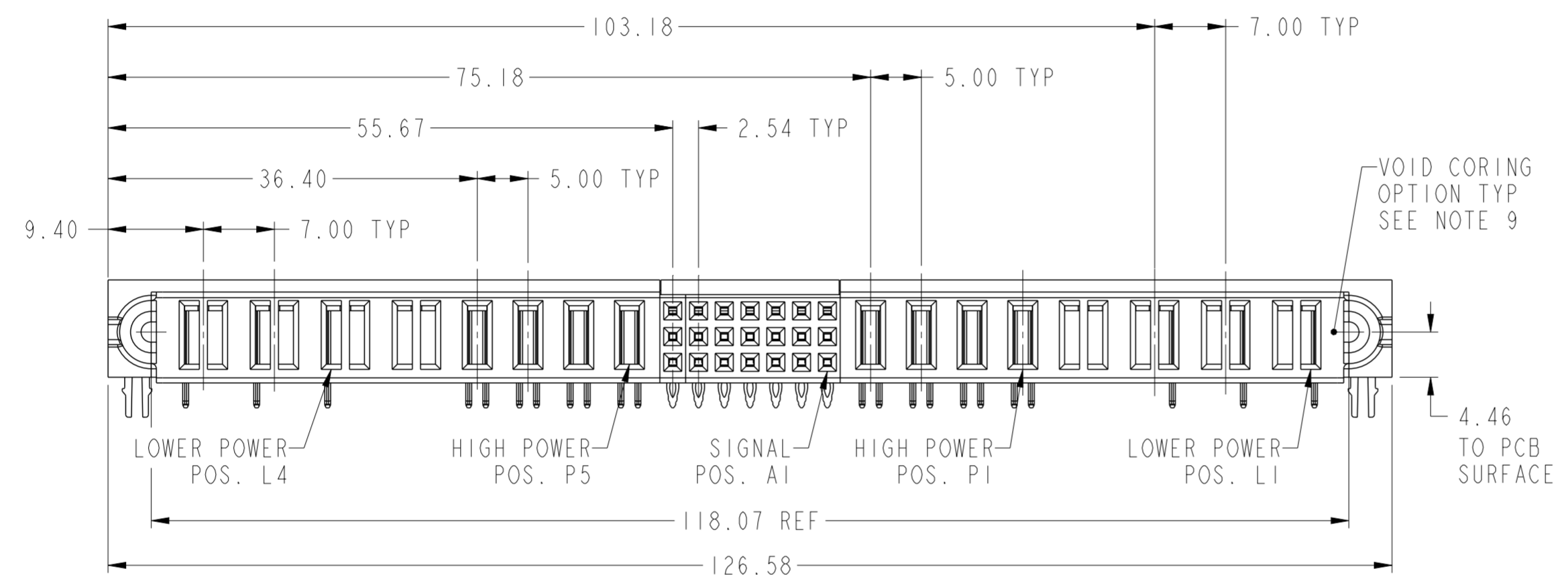
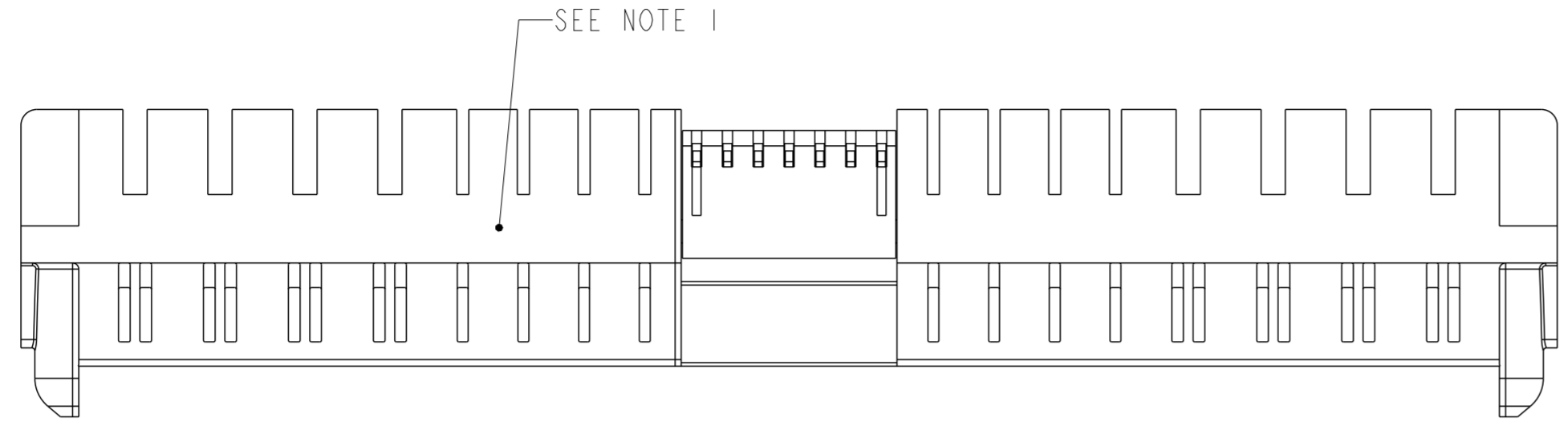


PRODUCT NUMBER
10127400-15HI410LF



Amphenol
FCi

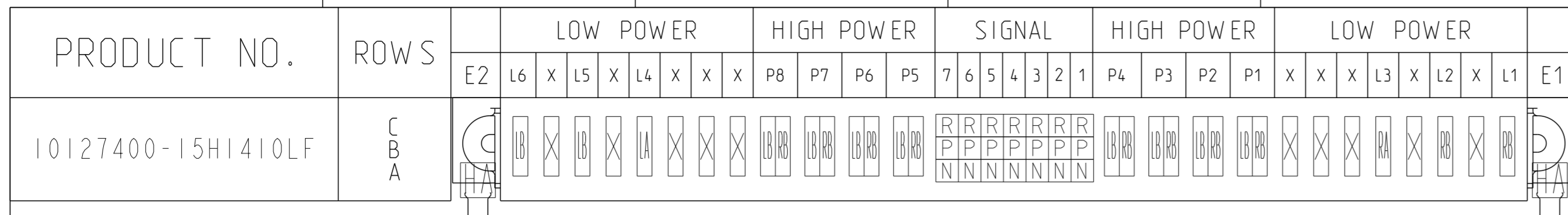
© 2020 Amphenol Corporation

spec ref	-	dr	Kaka Zhang	2016/10/18	projection	MM	size	A2	scale	2:1	
tolerance std	ASME Y14.5	eng	De-Ming Lu	2016/10/27			ecn no	rel level	Released	rev	
TOLERANCES UNLESS OTHERWISE SPECIFIED				product family							PwrBlade ULTRA
surface	linear	0.X	±0.50	title							3LP+4HP+2IS+4HP+3LP, PRESS-FIT
		0.XX	±0.25	Amphenol FCi	R/A RECEPTACLE, PwrBlade ULTRA	dwg no	10127400-15HI410	sheet 1 of 3			
		0.XXX	±0.130								
	angular	0°	±2°								
cat. no.		-		Product - Customer Drw		-		-		-	

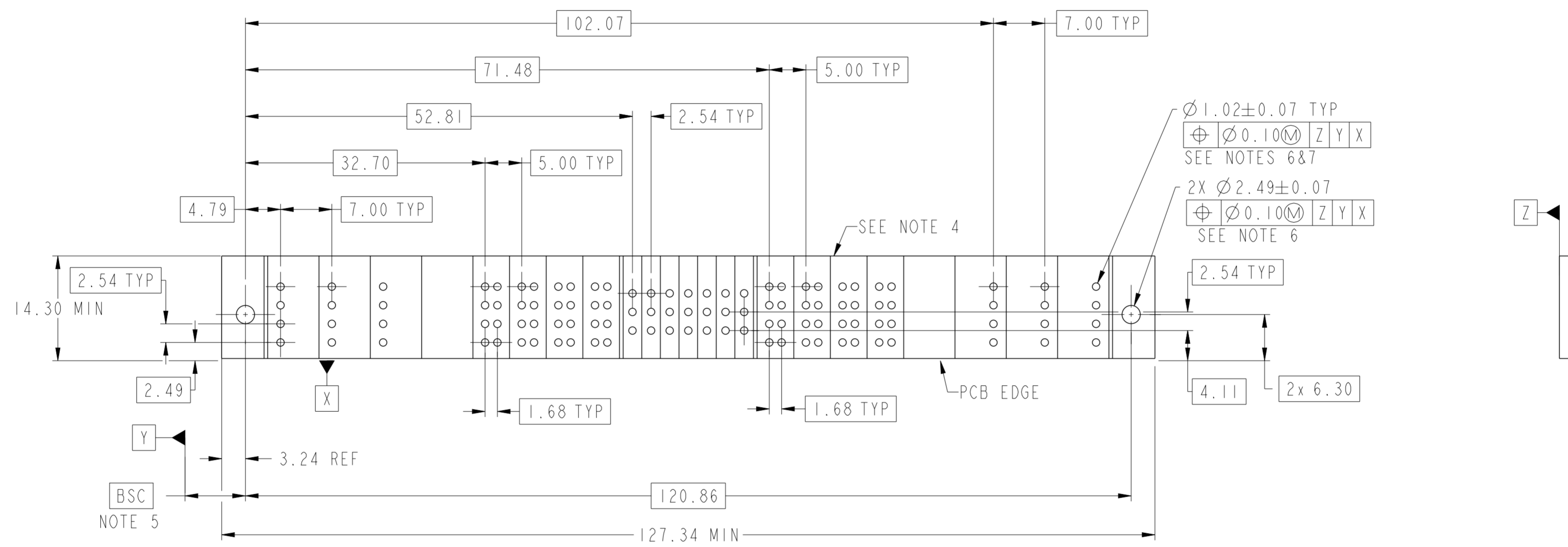
PDS: Rev :A

STATUS:Released

Printed: Jul 24, 2025



CODE	DESCRIPTION	SEE NOTE 12	
		WIPE LENGTH	MATING LEVEL
RA	MFBL RIGHT POWER CONTACT	4.50 REF	1
LA	MFBL LEFT POWER CONTACT	4.50 REF	1
RB	STD RIGHT POWER CONTACT	3.23 REF	2
LB	STD LEFT POWER CONTACT	3.23 REF	2
N	SIGNAL CONTACT	REFER TO MATED PLUG DRAWING	
P	SIGNAL CONTACT		
R	SIGNAL CONTACT		
HA	HOLD DOWN	N/A	N/A
X	OMITTED	N/A	N/A



Amphenol FCI

© 2020 Amphenol Corporation

spec ref	-	dr	Kaka Zhang	2016/10/18	projection	MM	size	A2	scale	2:1
tolerance std	ASME Y14.5	eng	De-Ming Lu	2016/10/27			ecn no	rel level	Released	rev
TOLERANCES UNLESS OTHERWISE SPECIFIED		chr	Fancy Zhang	2016/10/26						
		appr	Pai-Ming Zheng	2016/10/27						
surface	linear			title 3LP+4HP+2IS+4HP+3LP, PRESS-FIT R/A RECEPTACLE, PwrBlade ULTRA		cat. no. 10127400-15HI410	sheet 2 of 3			

PRODUCT NUMBER
10127400-15HI410LF

NOTES:

- ①. PRODUCT MARK:
PART NUMBER AND DATE CODE TO BE MARKED ON THIS SURFACE.
THE MARK CAN BE OMITTED IF THERE IS NOT ENOUGH SPACE ON THIS SURFACE.
2. MATERIALS:
HOUSING: HIGH TEMP THERMOPLASTIC WITH GLASS FIBER, UL94V-0, BLACK.
POWER CONTACTS: HIGH CONDUCTIVITY COPPER ALLOY.
SIGNAL CONTACTS: COPPER ALLOY.
HOLD DOWN: COPPER ALLOY.
3. PLATING SPECIFICATION: AFCI 10135186.
- ④. DENOTES CONNECTOR KEEP OUT ZONE.
- ⑤. DATUM AND BASIC DIMENSION ARE ESTABLISHED BY CUSTOMER.
- ⑥. ALL HOLE DIAMETERS ARE FINISHED HOLE SIZES.
- ⑦. 1.150±0.025mm DRILLED HOLE PLATED WITH 7.62µm MIN Sn OVER
25.4µm-76.2µm Cu PLATING TO ACHIEVE A 1.02±0.07mm FINISHED HOLE.
8. THE PRODUCT IS NOT INTENDED TO BE EXPOSED TO A MANUFACTURING SOLDER PROCESS.
- ⑨. THE VOID CORING BETWEEN POWER MODULES, SIGNAL MODULES AND END MODULES ARE OPTIONAL AND THE SHAPE MAY BE DIFFERENT TO OPTIMIZE THE MOLDING PROCESS. THE VOID CORING WILL NOT EFFECT THE PRODUCT FUNCTION.
10. THIS PRODUCT MEETS EUROPEAN UNION DIRECTIVES AND OTHER COUNTRY REGULATIONS AS DESCRIBED IN AFCI GS-47-0004.
11. PRODUCT SPECIFICATION: AFCI GS-12-1176.
APPLICATION SPECIFICATION: AFCI GS-20-0389.
PRODUCT PACKAGE SPECIFICATION: AFCI GS-14-2354.
- ⑫. MATES WITH AFCI PLUG, P/N 10127396-15HI410LF.

Amphenol FCI

© 2020 Amphenol Corporation

spec ref	-	dr	Kaka Zhang	2016/10/18	projection		MM	size	A2	scale	2:1	
tolerance std	-	eng	Samuel Wang	2016/10/27	chr	Fancy Zhang	2016/10/26	ecn no				
ASME Y14.5	TOLERANCES UNLESS OTHERWISE SPECIFIED	appr	Pei-Ming Zheng	2016/10/27	product family	PwrBlade ULTRA	rel level	Released				
surface	linear	0.X	±0.50	Amphenol FCI	title	3LP+4HP+2IS+4HP+3LP, PRESS-FIT		diag no	10127400-15HI410		rev	
		0.XX	±0.25									
		0.XXX	±0.130									
ASME Y14.5	angular	0°	±2°	cat. no.	-	Product - Customer Drw	sheet 3 of 3					

PDS: Rev :A

STATUS:Released

Printed: Jul 24, 2025