

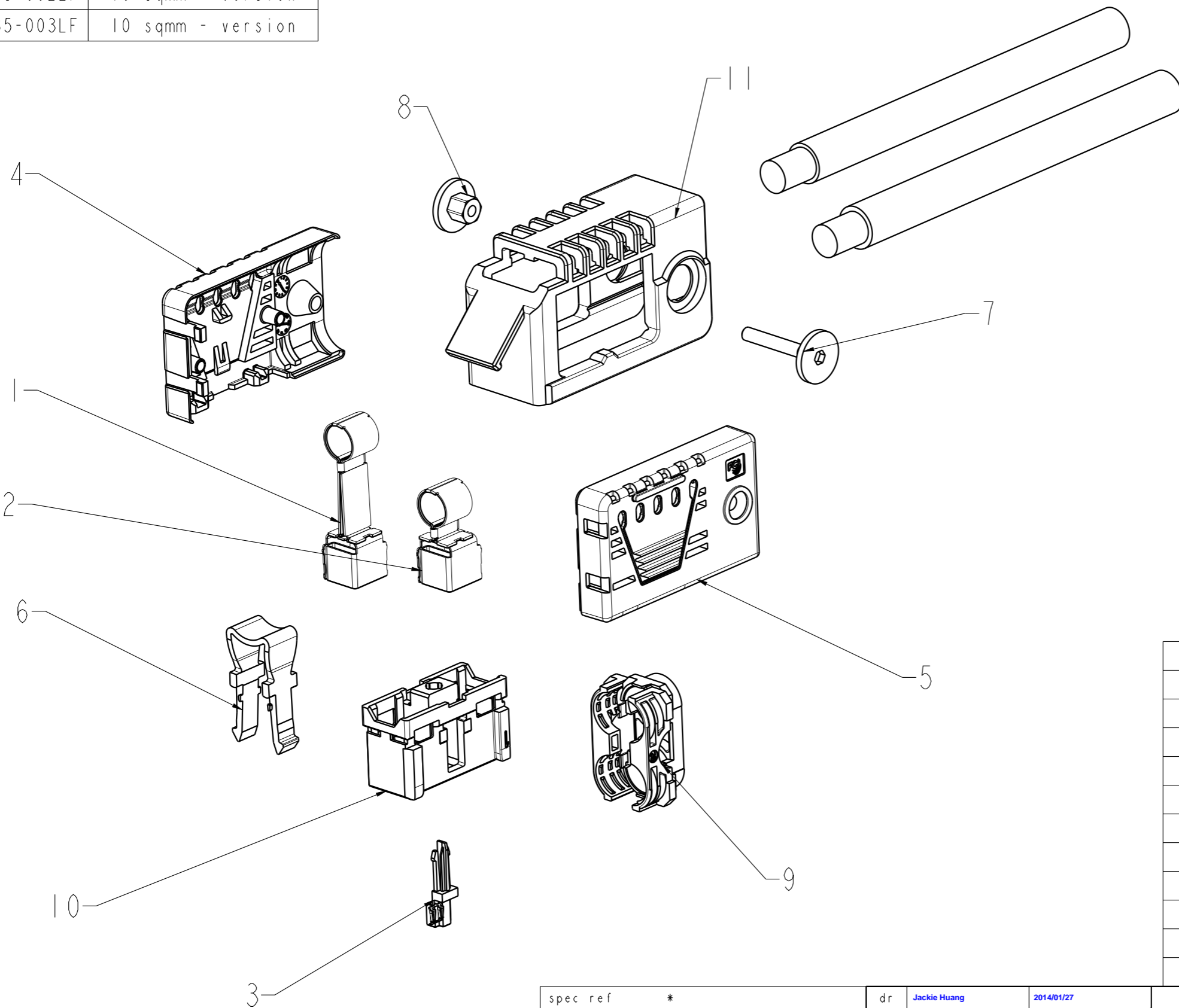
SCALE 1:1

- NOTES:
- MATERIALS:

 - UPPER / LOWER COVER - POLYCARBONATE;
 - TERMINAL HOUSING - HIGH TEMPERATURE NYLON;
 - STRAIN RELIEF - NYLON;
 - LOCKING SPRING - HIGH TEMPERATURE NYLON;
 - JUMPER HOUSING - NYLON - COLOR: BLACK
 - EJECTOR - PBT ;
 - TERMINAL BARREL - HIGH CONDUCTIVE Cu Alloy;
 - TERMINAL BLADES - HIGH CONDUCTIVE Cu Alloy;
 - JUMPER TERMINAL - HIGH CONDUCTIVE Cu Alloy.
 - ALL PLASTICS UL94-V0 RATED.
 - THIS PRODUCT MEETS EUROPEAN UNION DIRECTIVES AND OTHER COUNTRY REGULATIONS AS DESCRIBED IN GS-22-008.
 - THIS PRODUCT IS NOT INTENDED TO BE EXPOSED TO A MANUFACTURING SOLDER PROCESS.
 - THIS IS A LOOSE PIECE KIT FOR CABLE ASSEMBLY APPLICATION. CUSTOMERS WHO CHOOSE THIS KIT PRODUCT SHALL COMPLETE THE CABLE ASSEMBLY BY THEMSELVES AND TO DECIDE DETAILED APPLICATION BASED ON THEIR TESTING FOR THE FINAL CABLE ASSEMBLY PRODUCT PERFORMANCE.

spec ref	*	dr	Jackie Huang	2014/01/27	projection	MM	size	A3	scale	2:1											
tolerance std	TOLERANCES UNLESS OTHERWISE SPECIFIED	eng	Luo Weller	2014/06/12			ecn no		rel level												
		chr	-	-			Released														
surface	<table border="1"> <tr> <td>linear</td> <td>0.X</td> <td>±0.50</td> </tr> <tr> <td></td> <td>0.XX</td> <td>±0.25</td> </tr> <tr> <td></td> <td>0.XXX</td> <td>±0.10</td> </tr> <tr> <td>angular</td> <td>0°</td> <td>±2°</td> </tr> </table>	linear	0.X	±0.50		0.XX	±0.25		0.XXX	±0.10	angular	0°	±2°	appr	Pei-Ming Zheng	2014/06/12	product family	dwg no		rev	
linear	0.X	±0.50																			
	0.XX	±0.25																			
	0.XXX	±0.10																			
angular	0°	±2°																			
				PWR TWINBLADE I/O right-angle cable connector		10128085		A													
		www.fci.com	cat. no.	-	Product - Customer Drw		sheet 1 of 2														

PRODUCT NUMBER	INSTANCE DESCRIPTION
10128085-001LF	25 sqmm - version
10128085-002LF	16 sqmm - version
10128085-003LF	10 sqmm - version



INDEX	TITLE	Q'TY
11	EJECTOR	1
10	TERMINAL HOUSING	1
9	STRAIN RELIEF	1
8	NUT	1
7	SCREW	1
6	LOCKING SPRING	1
5	COVER TOP	1
4	COVER BOTTOM	1
3	JUMPER ASS'Y	1
2	ASS'Y TERMINAL (SHORT)	1
1	ASS'Y TERMINAL (LONG)	1

spec ref	*	dr	Jackie Huang	2014/01/27	projection	MM	size	A3	scale	2:1										
tolerance std	TOLERANCES UNLESS OTHERWISE SPECIFIED	eng	Luo Weller	2014/06/12			ecn no		rel level											
surface	<table border="1"> <tr> <td>linear</td> <td>0.X</td> <td>±0.50</td> </tr> <tr> <td></td> <td>0.XX</td> <td>±0.25</td> </tr> <tr> <td></td> <td>0.XXX</td> <td>±0.10</td> </tr> <tr> <td>angular</td> <td>0°</td> <td>±2°</td> </tr> </table>	linear	0.X	±0.50				0.XX	±0.25		0.XXX	±0.10	angular	0°	±2°	chr	-	product family	rel level	
linear	0.X	±0.50																		
	0.XX	±0.25																		
	0.XXX	±0.10																		
angular	0°	±2°																		
		appr	Pei-Ming Zheng	2014/06/12	PWR TWINBLADE I/O		10128085		rev											
		www.fci.com		cat. no.	right-angle cable connector		Product - Customer Drw		sheet 2 of 2											

Amphenol
FCi

© 2020 Amphenol Corporation