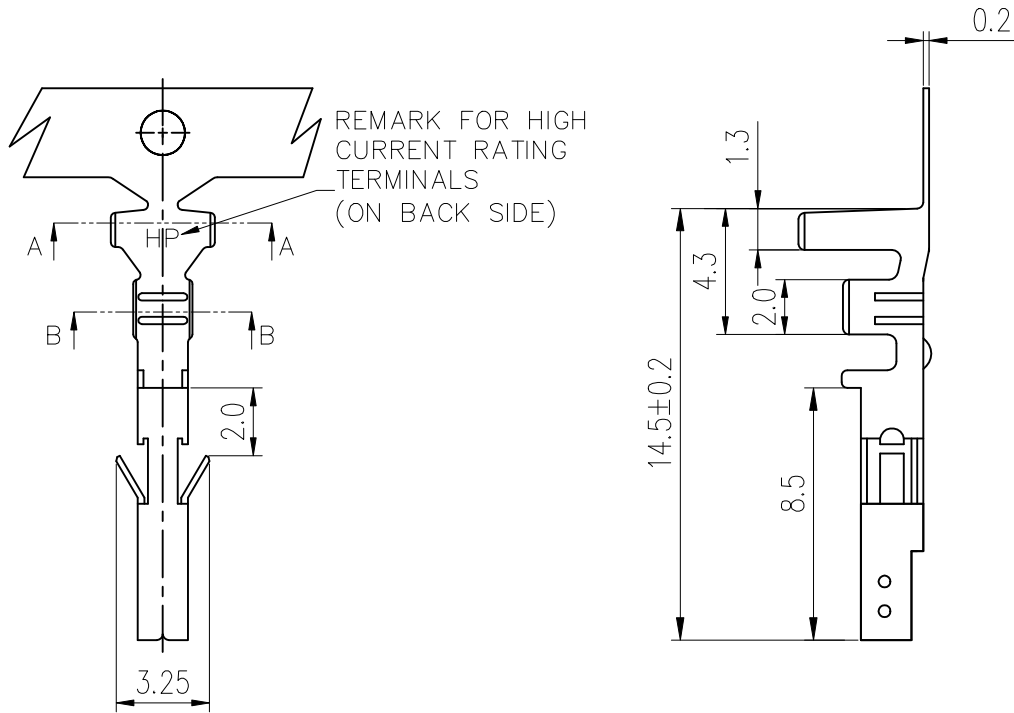


PRODUCT NUMBER
SEE PART NO. TABLE



NOTES:

1. MATERIAL: HIGH CONDUCTIVITY COPPER ALLOY.
2. PLATING :
CONTACT AREA : OPTIONAL
CRIMP AREA : 80μ" MIN. BRIGHT TIN
UNDER PLATING : MIN. 30μ" SEMI BRIGHT NICKEL OVERALL
3. REFER GS-20-0401 APPLICATION SPEC FOR MATING CONNECTOR.
4. PRODUCT SPECIFICATION: GS-12-1232.
5. PACKAGE SPECIFICATION: GS-14-2362.(REEL PACKING)
6. APPLICATION SPECIFICATION : GS-20-0401
7. LEAD FREE PRODUCTS MEET EUROPEAN UNION DIRECTIVES AND OTHER COUNTRY REGULATIONS AS DESCRIBED IN GS-47-0004
8. PART NUMBER SCHEME:

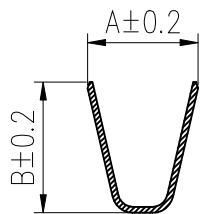
10130517 - 1 X 1 X LF

PLATING TYPE:
P: PRE-PLATED
BLANK: POST-PLATED

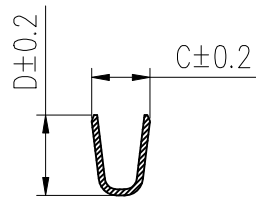
PLATING CODE:
1: GOLD FLASH
2: 80μ" BRIGHT TIN OVERALL

9. DIMENSIONAL & PART NO. TABLE:

PART NO.	A	B	C	D	APPLICABLE WIRES
10130517-1X1XLF	3.7	4.5	1.8	2.7	#18~#22



SEC A-A



SEC B-B

mat'l. code		surface ISO 1302 ✓		tolerance ISO 406 ISO 1101		projection 		product family MINITEK PWR4.2 HCC	
ltr	ecn no	dr	date	tolerances unless otherwise specified		title		MINITEK PWR4.2 REC TERMINAL HIGH CURRENT RATING	
A		TAI	2014-06-11	angles	.0±.40	mm		sheet 1 of 1 size	
B	ELX-T-19253	TAI	2014-10-31	linear	.00±.30	scale NTS		10130517 A3	
C	ELX-N-32022	TONY	2018-11-29	0°±3'		Amphenol FCI		type Product Customer Drawing	
D	ELX-I-43590	SONY	2023-01-09	dr	KENNY TAI	2014-06-11			
				enr	SONY	2023-01-09			
				chr	SONY	2023-01-09			
				appd	MITHUN	2023-01-09			
sheet index	revision sheet	E	1						