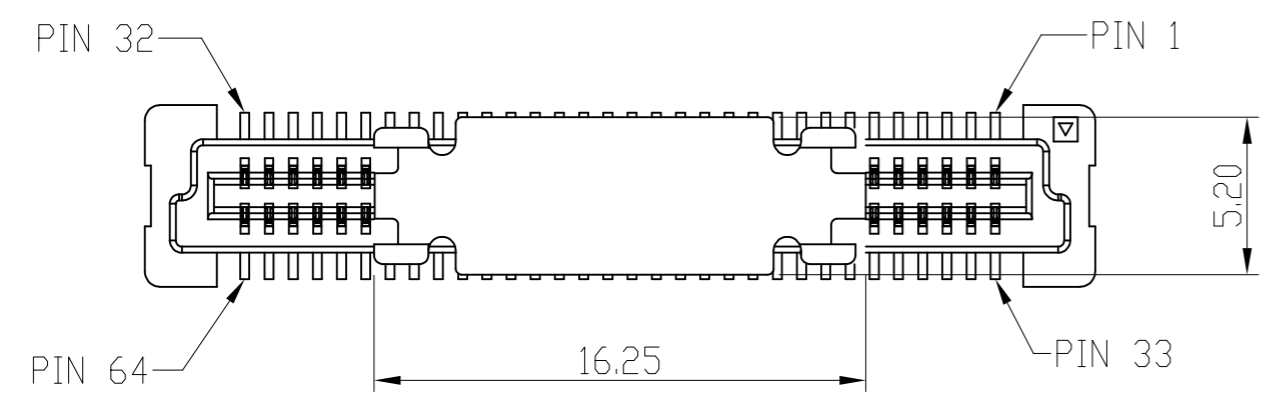
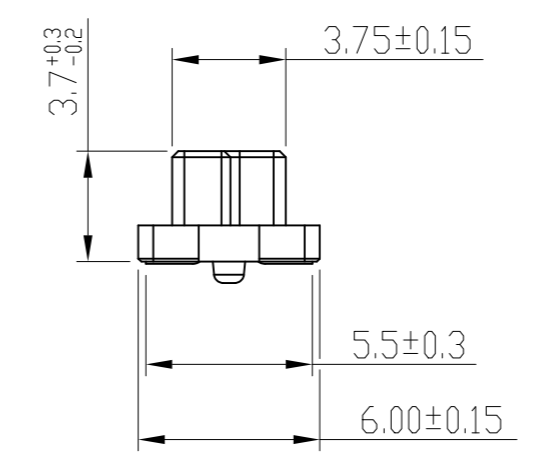
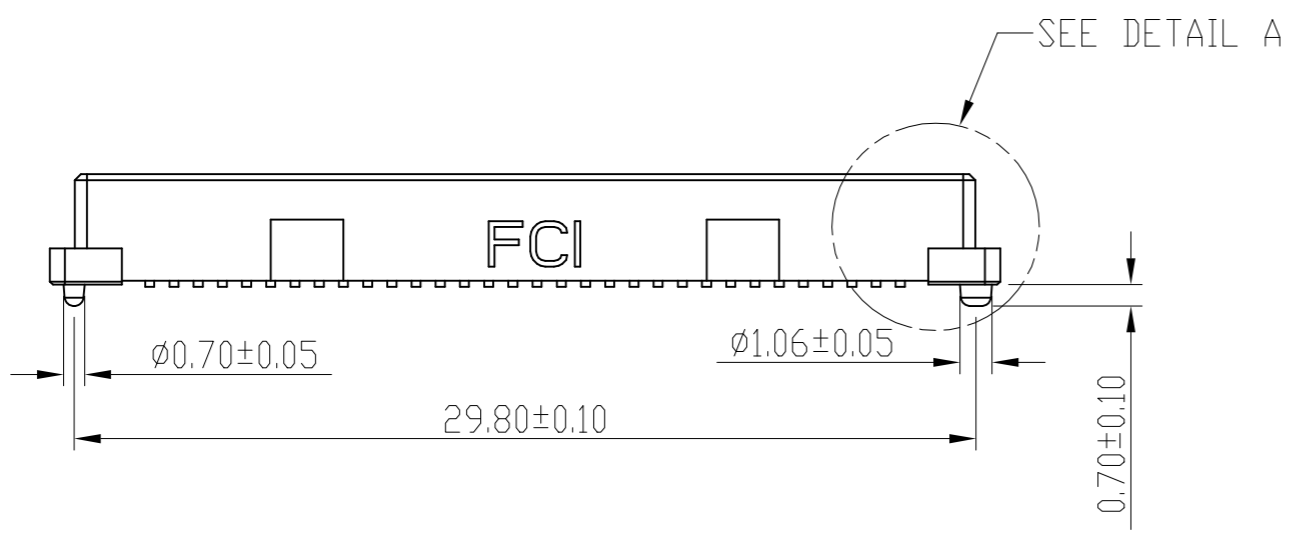
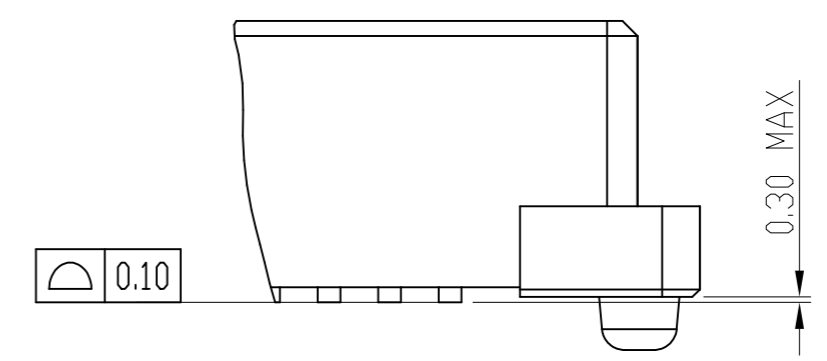
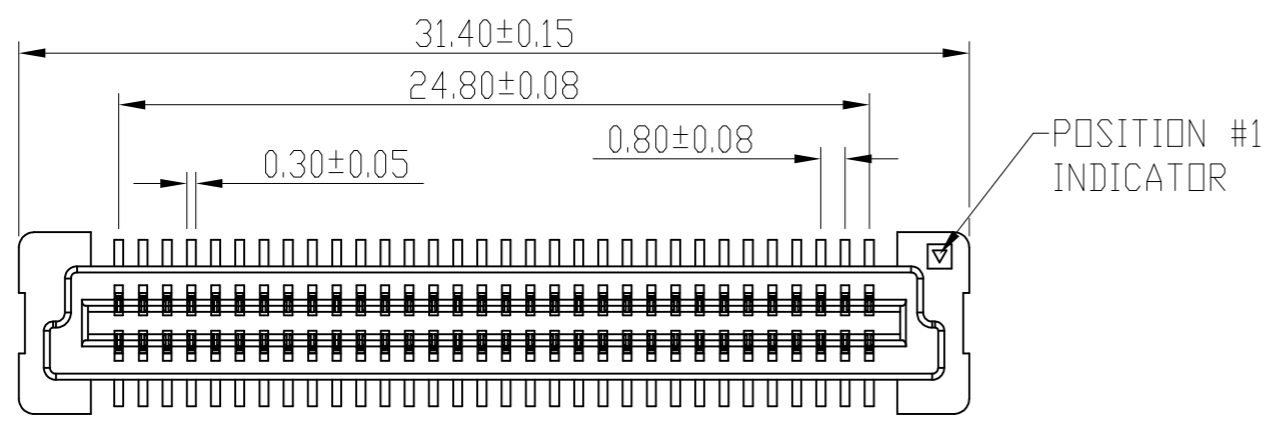


© 2016 AFCI
 Amphenol FCI

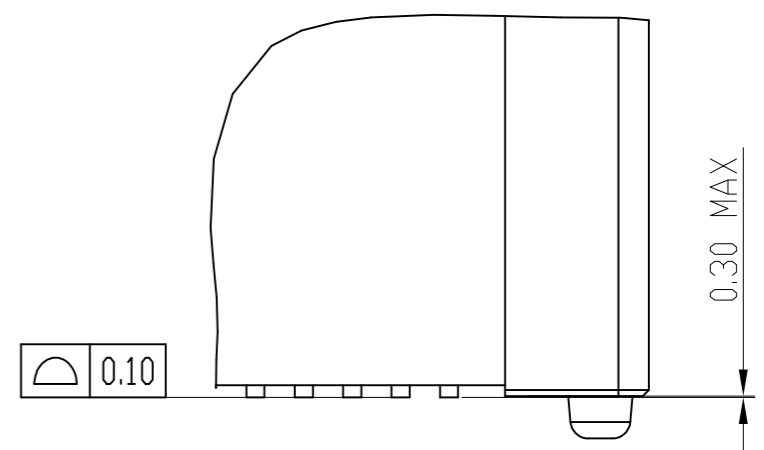
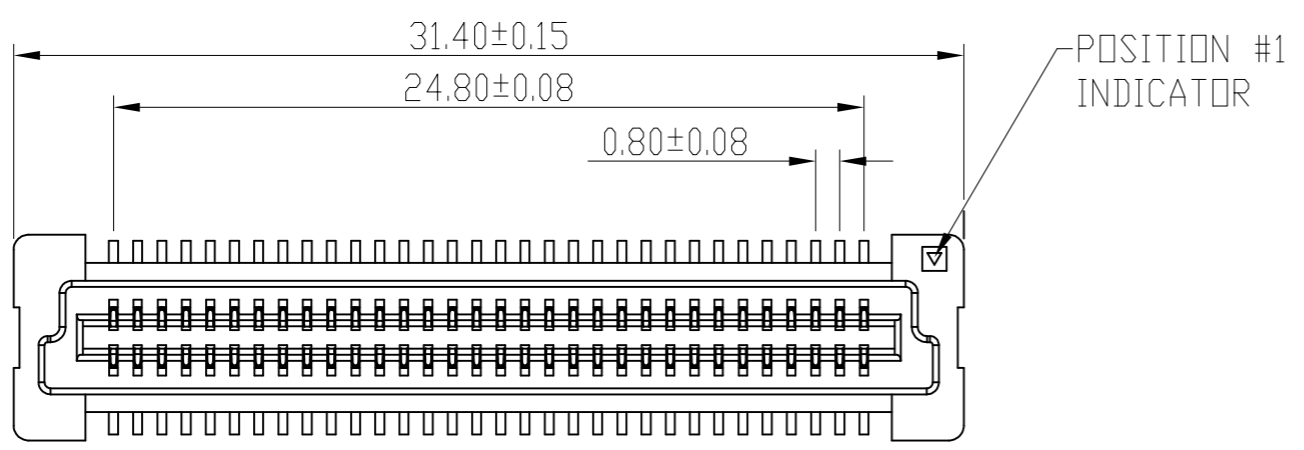


WITH METAL CAP

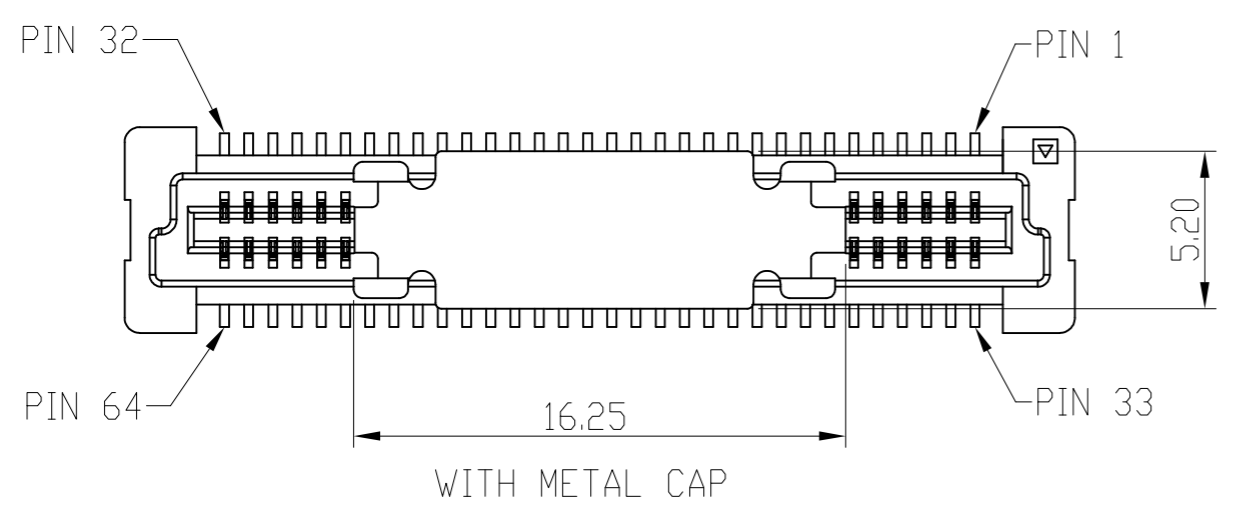
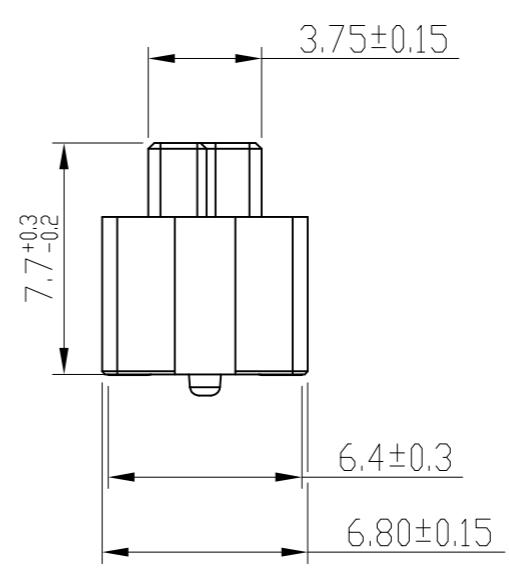
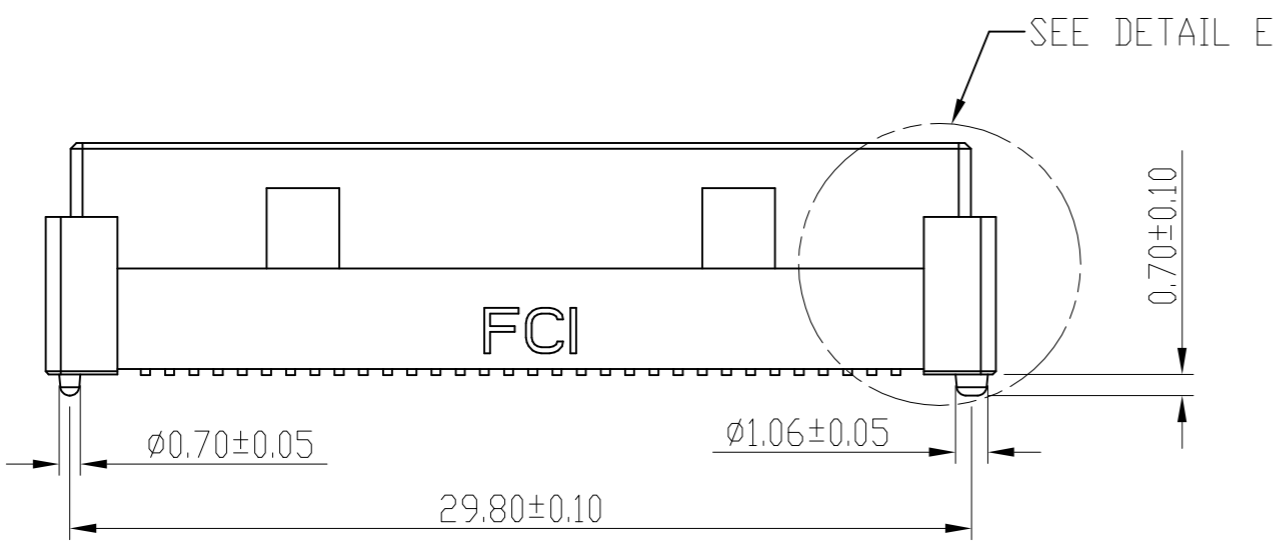
RECEPTACLE 1

| | | | | | | | | | |
|-------------|--|----------------|--|------------------|--|------------|--|--------------------------|--|
| mat'l. code | | surface | | tolerance | | projection | | product family | |
| | | ISO 1302 ✓ | | ISO 406 ISO 1101 | | | | BERGSTAK 0.8MM | |
| ltr | | ecn no | | date | | | | title | |
| F | | | | | | mm | | RECEPTACLE ASSY | |
| | | | | | | scale 1:1 | | BERGSTAK 0.8MM | |
| | | | | | | | | dwg no | |
| | | | | | | | | 10135583 | |
| | | | | | | | | sheet 2 of 5 | |
| | | | | | | | | size | |
| | | | | | | | | A3 | |
| | | | | | | | | type | |
| | | | | | | | | Product Customer Drawing | |
| sheet index | | revision sheet | | F 1 | | | | | |

© 2016 AFCI
 Amphenol FCI



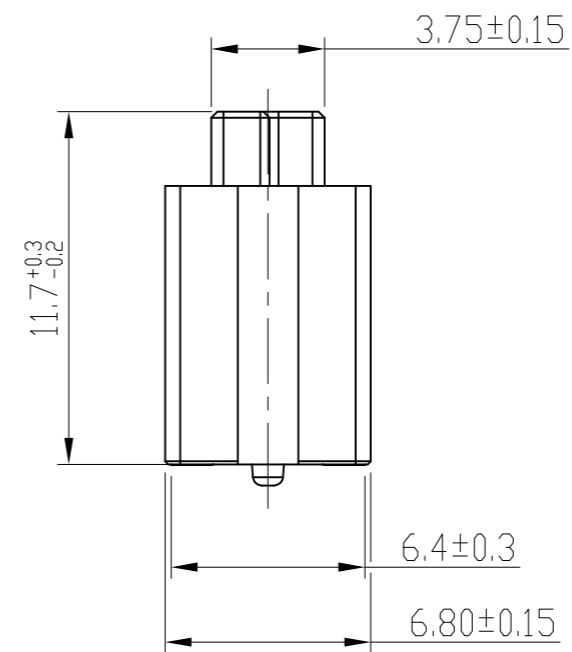
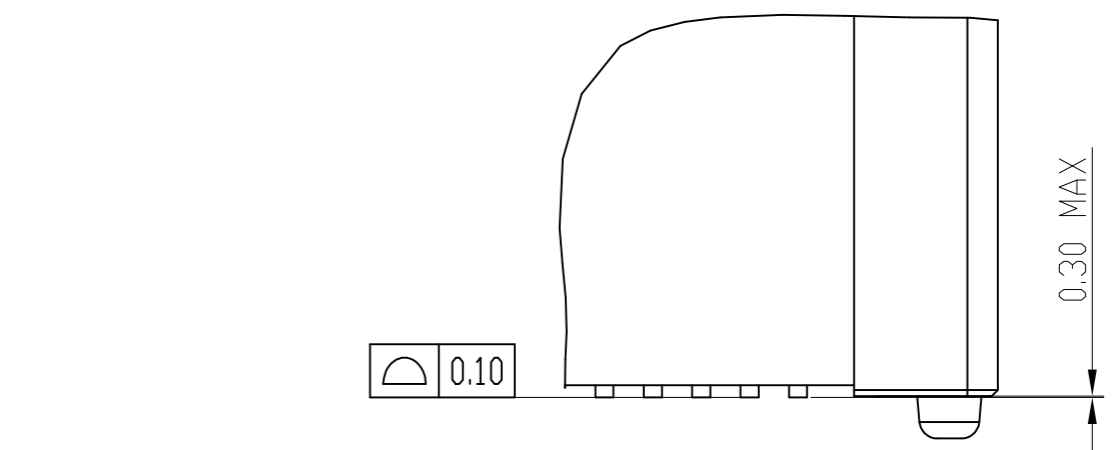
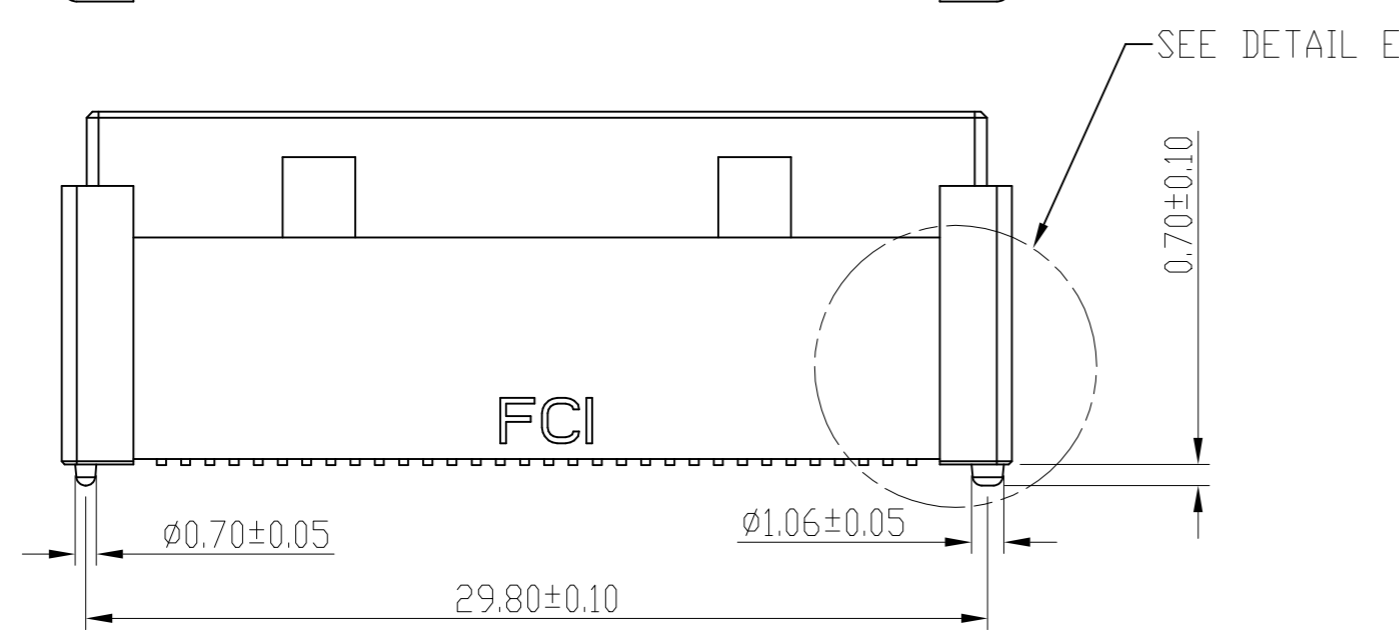
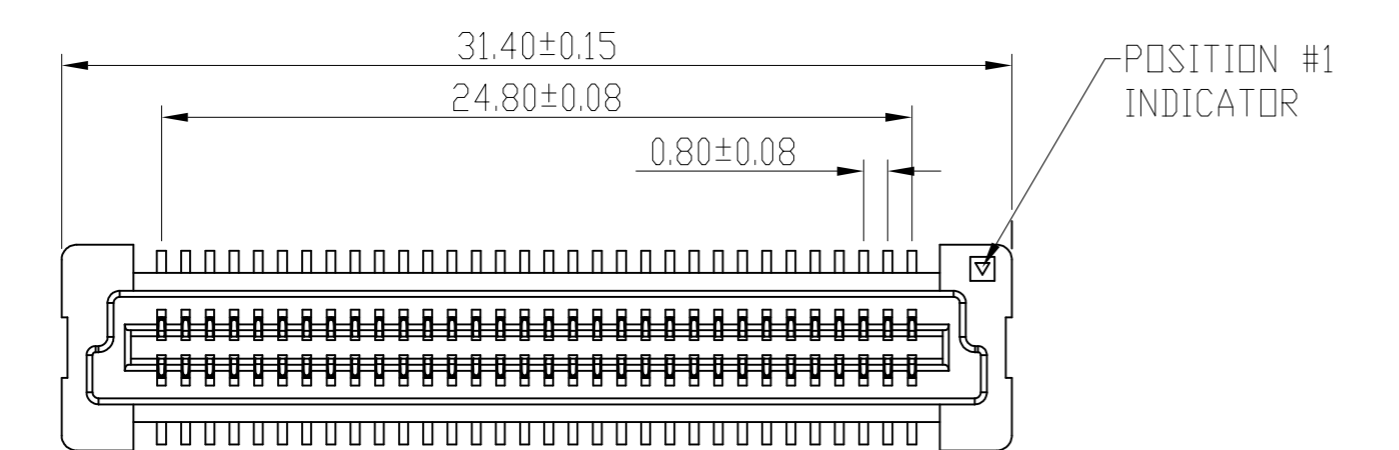
DETAIL E
SCALE 8:1



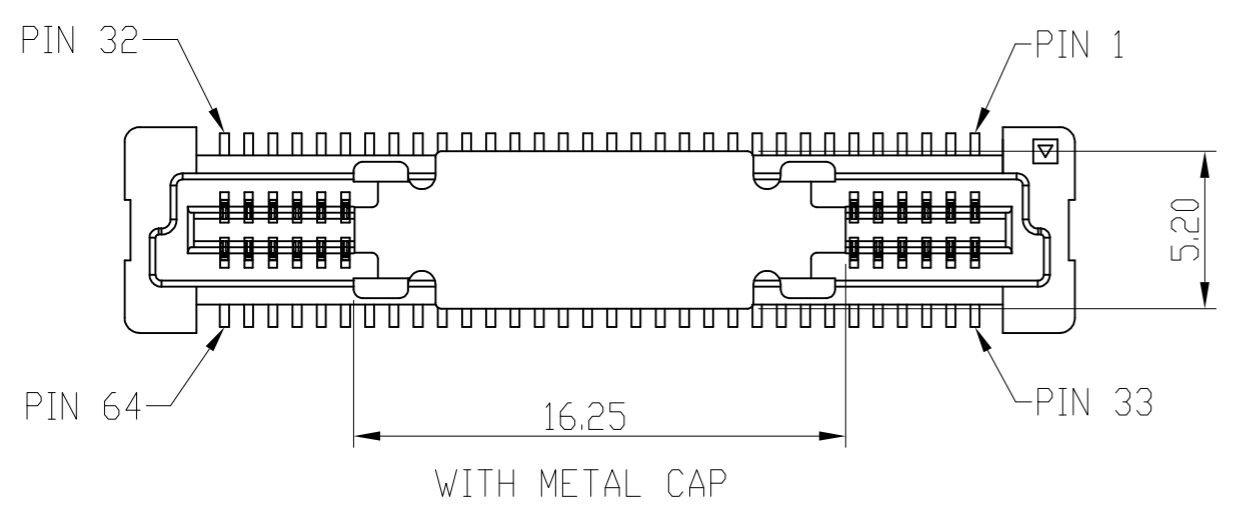
RECEPTACLE 2

| | | | | | | | | | |
|-------------|--|----------------|--|------------------|--|------------|--|-----------------------------------|--|
| mat'l. code | | surface | | tolerance | | projection | | product family | |
| | | ISO 1302 ✓ | | ISO 406 ISO 1101 | | | | BERGSTAK 0.8MM | |
| ltr | | ecn no | | dr | | date | | title | |
| F | | | | | | | | RECEPTACLE ASSY BERGSTAK 0.8MM | |
| | | | | angles | | linear | | | |
| | | | | .X±.20 | | .XX±.15 | | scale 1:1 | |
| | | | | X'±2' | | .XXX±.10 | | | |
| | | dr | | Jim Meng | | 06/05/15 | | dwg no | |
| | | enr | | Alan Ni | | 01/08/25 | | sheet 3 of 5 | |
| | | chr | | LQ Lei | | 01/08/25 | | size | |
| | | appd | | Tim Yao | | 01/08/25 | | A3 | |
| sheet index | | revision sheet | | F 1 | | | | type Product Customer Drawing | |

Amphenol FCI
© 2016 AFCI

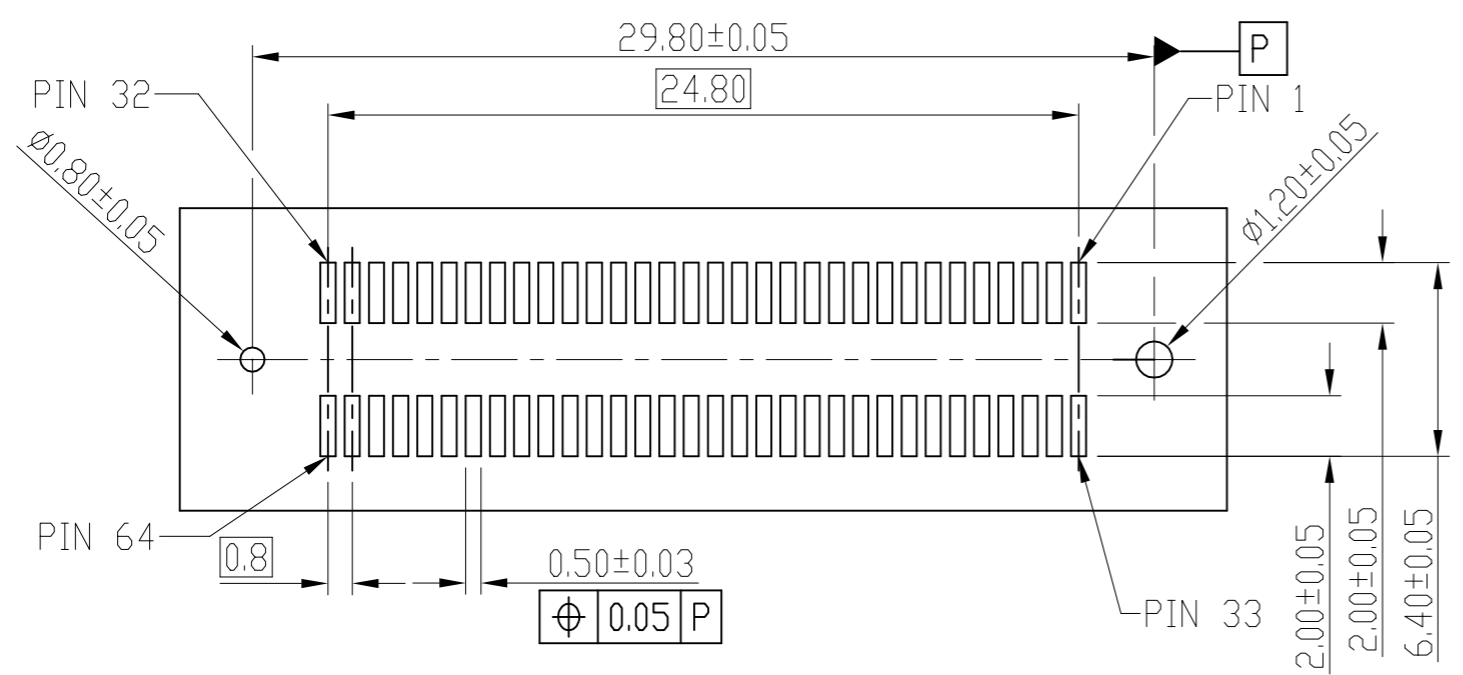


DETAIL E
SCALE 8:1

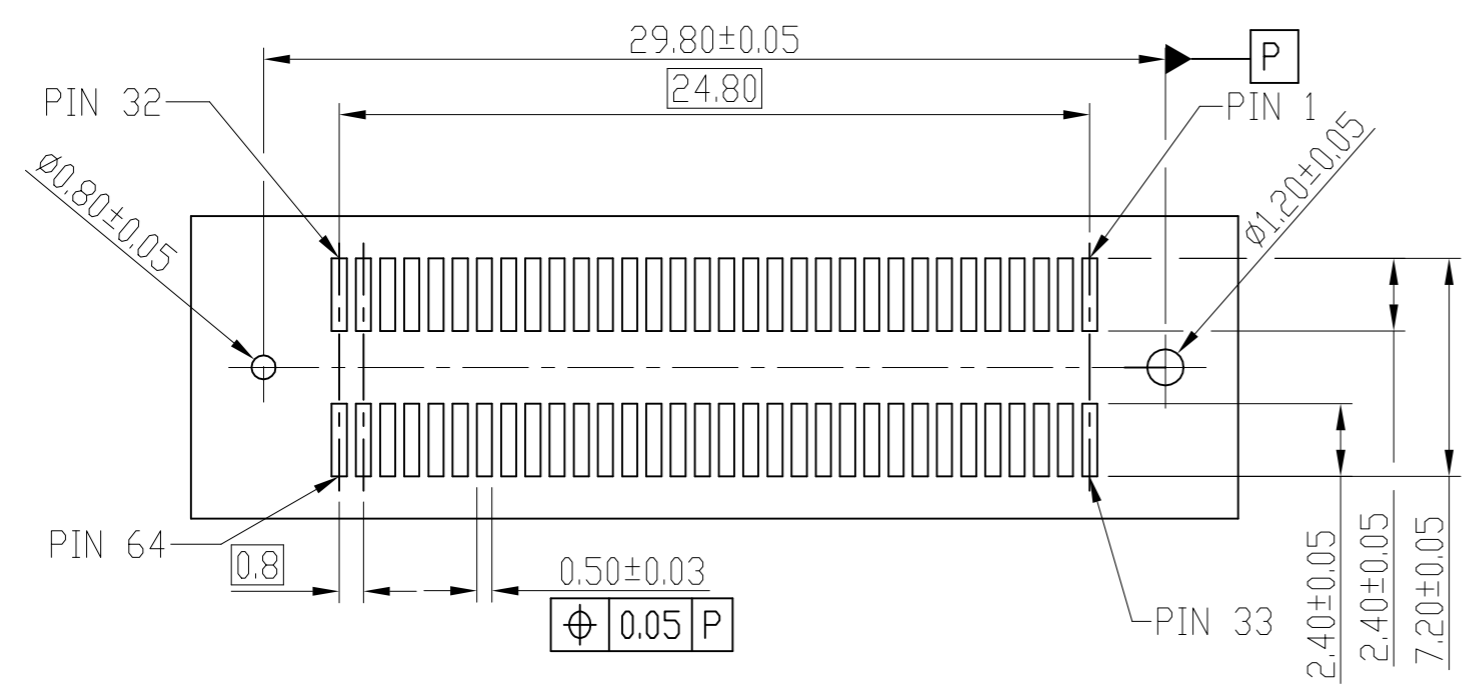


RECEPTACLE 3

| | | | | | | | | | |
|-------------|--|----------------|--|------------------|--|------------|--|-----------------------------------|--|
| mat'l. code | | surface | | tolerance | | projection | | product family | |
| | | ISO 1302 ✓ | | ISO 406 ISO 1101 | | | | BERGSTAK 0.8MM | |
| ltr | | ecn no | | dr | | date | | title | |
| F | | | | | | | | RECEPTACLE ASSY BERGSTAK 0.8MM | |
| | | | | angles | | linear | | mm | |
| | | | | .X±.20 | | .XX±.15 | | scale 1:1 | |
| | | | | X±2' | | .XXX±.10 | | | |
| | | dr | | Jim Meng | | 06/05/15 | | dwg no | |
| | | enr | | Alan Ni | | 01/08/25 | | sheet 4 of 5 | |
| | | chr | | LQ Lei | | 01/08/25 | | size | |
| | | appd | | Tim Yao | | 01/08/25 | | A3 | |
| sheet index | | revision sheet | | F 1 | | | | type Product Customer Drawing | |



RECOMMENDED PCB LAYOUT WITH PEGS FOR RECEPT 1



RECOMMENDED PCB LAYOUT WITH PEGS FOR RECEPT 2&3

Amphenol FCI
 © 2016 AFCI

| | | | | | | | | | |
|-------------|--|----------------|--|------------------|--|------------|--|-----------------------------------|--|
| mat'l. code | | surface | | tolerance | | projection | | product family | |
| | | ISO 1302 ✓ | | ISO 406 ISO 1101 | | | | BERGSTAK 0.8MM | |
| ltr | | ecn no | | dr | | date | | title | |
| F | | | | | | | | RECEPTACLE ASSY BERGSTAK 0.8MM | |
| | | | | angles | | linear | | | |
| | | | | .X±.20 | | .XX±.15 | | scale 1:1 | |
| | | | | X'±2' | | .XXX±.10 | | | |
| | | dr | | Jim Meng | | 06/05/15 | | dwg no | |
| | | enr | | Alan Ni | | 01/08/25 | | sheet 5 of 5 | |
| | | chr | | LQ Lei | | 01/08/25 | | size | |
| | | appd | | Tim Yao | | 01/08/25 | | A3 | |
| sheet index | | revision sheet | | F 1 | | | | type Product Customer Drawing | |