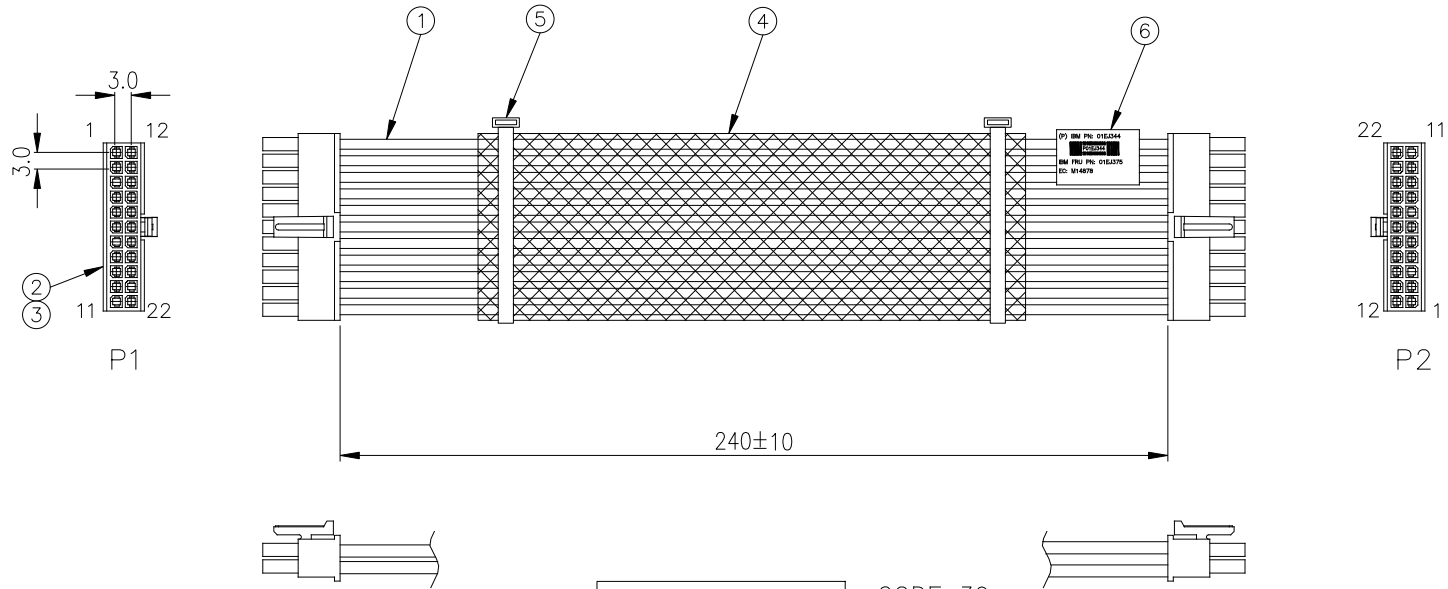


PRODUCT NUMBER  
10136955-001LF

WIRING DIAGRAM

P1 PIN NO.	P2 PIN NO.	WIRE SIZE	WIRE COLOR
1	1	20 AWG	BLACK
2	2	20 AWG	BLACK
3	3	20 AWG	BLACK
4	4	20 AWG	BLACK
5	5	20 AWG	BLACK
6	6	20 AWG	BLACK
7	7	20 AWG	BLACK
8	8	20 AWG	BLACK
9	9	20 AWG	BLACK
10	10	20 AWG	BLACK
11	11	20 AWG	BLACK
12	12	20 AWG	BLACK
13	13	20 AWG	BLACK
14	14	20 AWG	BLACK
15	15	20 AWG	BLACK
16	16	20 AWG	BLACK
17	17	20 AWG	BLACK
18	18	20 AWG	BLACK
19	19	NO CONNECTION	
20	20	26 AWG	BLACK
21	21	26 AWG	BLACK
22	22	26 AWG	BLACK



(P) IBM PN: 01EJ344  
  
 IBM FRU PN: 01EJ375  
 EC: M14878  
 CODE 39

FOR FRONT

MADE IN CHINA  
 DATE CODE: YMMW  
 AFCI PN: 10136955-001LF  
 CLS REV: 1  
 CLS PN: R0998-C0004-01

FOR BACK

LABEL CONTENTS

- NOTE:
- RATED CURRENT PER PIN: 5A MAX., FOR 20 AWG WIRES, AND 3A MAX. FOR 26 AWG WIRES
  - BOTH SIDES CAN MATE WITH FCI MINITEK PWR3.0 BOARD CONNECTOR, P/N: 10127720 SERIES (RIGHT ANGLE) OR 10127721 SERIES (VERTICAL)

ITEM	FCI PART NUMBER	DESCRIPTION	QTY.
6		LABEL	1
5		CABLE TIE, PA66, UL94V-0, NATURAL	2
4		BRAID EXPANDABLE TUBE, BLACK	1
3	10127718-001LF	MINITEK PWR3.0 RECEPTACLE TERMINAL, TIN PLATING	42
2	10127716-22LF	MINITEK PWR3.0 RECEPTACLE HSG, BLACK	2
1		UL1430 WIRES, MAX. OD 1.85mm, 20 AND 26 AWG	

mat'l. code		surface	tolerance	projection	product family
ltr	ecn no	dr	date	tolerances unless otherwise specified	MINITEK PWR3.0
A		TAI	2016-09-02	angles	title
				mm	HDD BP POWER CABLE
				scale	MINITEK PWR 3.0, 22 POS.
		dr	KENNY TAI	2015-08-17	dwg no
		enrg	KENNY TAI	2015-08-17	sheet 1 of 1
		chr	KENNY TAI	2016-09-02	size
		appd	PM ZHENG	2016-09-02	A4
sheet index	revision sheet	A	1		type
					Product Customer Drawing