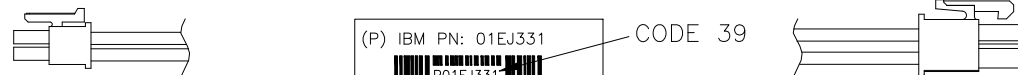
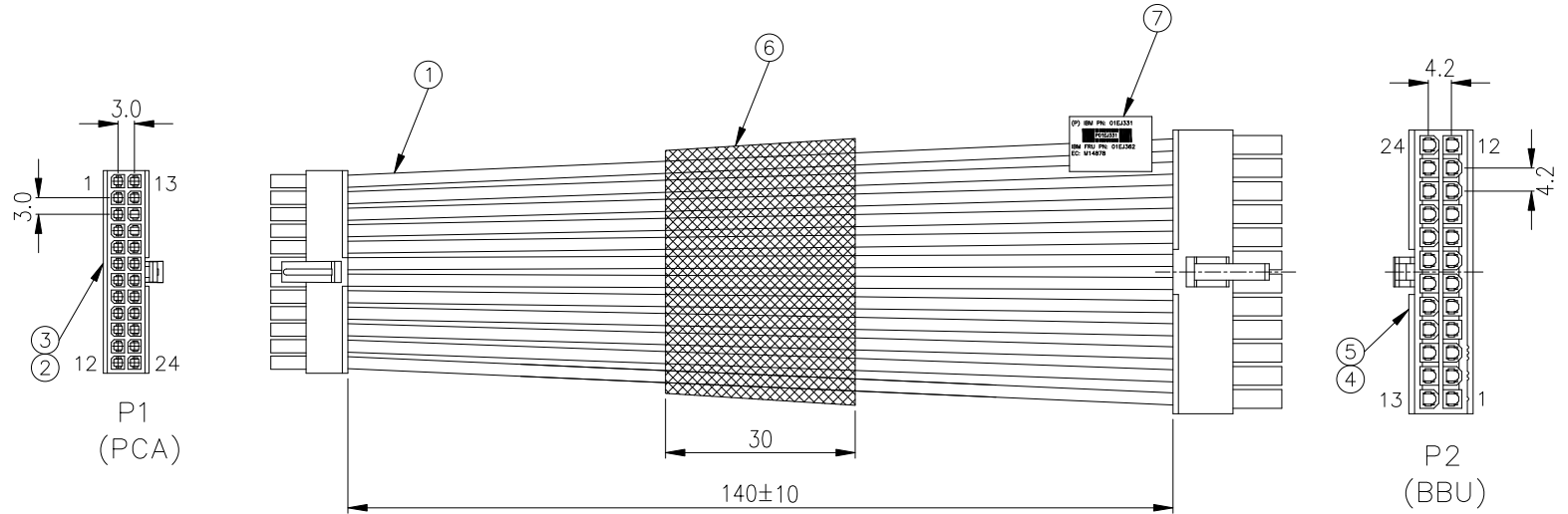



PRODUCT NUMBER

10136956-001LF

WIRING DIAGRAM

P1 PIN NO.	P2 PIN NO.	WIRE SIZE	WIRE COLOR
12	1	16 AWG	BLACK
11	2	16 AWG	BLACK
10	3	16 AWG	BLACK
9	4	16 AWG	BLACK
8	5	16 AWG	BLACK
7	6	16 AWG	BLACK
6	7	16 AWG	BLACK
5	8	16 AWG	BLACK
4	9	16 AWG	BLACK
3	10	16 AWG	BLACK
2	11	16 AWG	BLACK
1	12	16 AWG	BLACK
24	13	16 AWG	BLACK
23	14	16 AWG	BLACK
22	15	16 AWG	BLACK
21	16	16 AWG	BLACK
20	17	16 AWG	BLACK
19	18	16 AWG	BLACK
18	19	16 AWG	BLACK
17	20	16 AWG	BLACK
16	21	16 AWG	BLACK
15	22	16 AWG	BLACK
14	23	16 AWG	BLACK
13	24	16 AWG	BLACK



(P) IBM PN: 01EJ331  
  
 IBM FRU PN: 01EJ362  
 EC: M14878

CODE 39  
FOR FRONT

MADE IN CHINA  
 DATE CODE: YMMW  
 AFCI PN: 10136956-001LF  
 CLS REV. 1  
 CLS PN: R0998-C0002-01

FOR BACK

LABEL CONTENTS

NOTE:

1. RATED CURRENT PER PIN: 8A MAX.
2. P1 CAN MATE WITH FCI MINITEK PWR3.0 HIGH CURREN CONNECTORS  
BASE NO.: 10132449F (R/A) OR 10132450 (V/T)
3. P2 CAN MATE WITH FCI MINITEK PWR4.2 HIGH CURREN CONNECTORS  
BASE NO.: 10131318 (R/A) OR 10131319 (V/T)

ITEM	FCI PART NUMBER	DESCRIPTION	QTY.
7		LABEL	1
6		ACETOUS TAPE, BLACK	1
5	10130517-121LF	MINITEK PWR4.2 HCC RECEPTACLE TERMINAL	24
4	10127815-24LF	MINITEK PWR4.2 REC. HSG, 24 POS., NATURAL	1
3	10132447-121LF	MINITEK PWR3.0 HCC RECEPTACLE TERMINAL	24
2	10132445-24LF	MINITEK PWR3.0 REC. HSG, 24 POS., BLACK	1
1		UL1430 WIRES, MAX. OD 2.2mm, 16 AWG, BLACK	

mat'l. code	surface	tolerance	projection	product family
ltr	ecn no	dr	date	MINITEK PWR CABLE
A		TAI	2016-09-02	title
				BBU POWER CABLE, 24 POS. HIGH CURRENT
				dwg no
				10136956
				sheet 1 of 1
				size
				A4
				type
				Product Customer Drawing
sheet index	revision sheet	A	1	