

1. Specifications:
- Voltage rating: 600V AC/DC
  - Current rating: 9A AC/DC
  - Withstanding voltage: 1500V AC/minute
  - Temperature range: -40°C~+105°C
  - Insulation resistance: ≥1000MΩ
  - Contact resistance: ≤20mΩ

2. Plastic material : PA9T Natural.  
 Terminal material: Copper alloy  
 Contact area: Selective gold plating, see detailed PN  
 solder tail: 80u”min. Tin plating  
 Under plating: Nickel plating 50u” thickness min. overall.

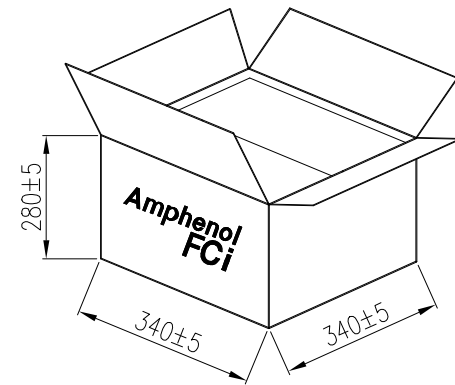
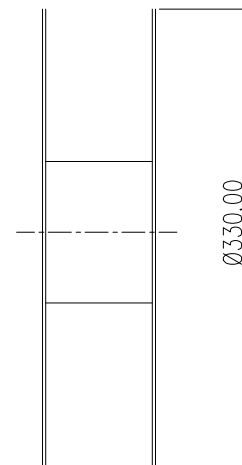
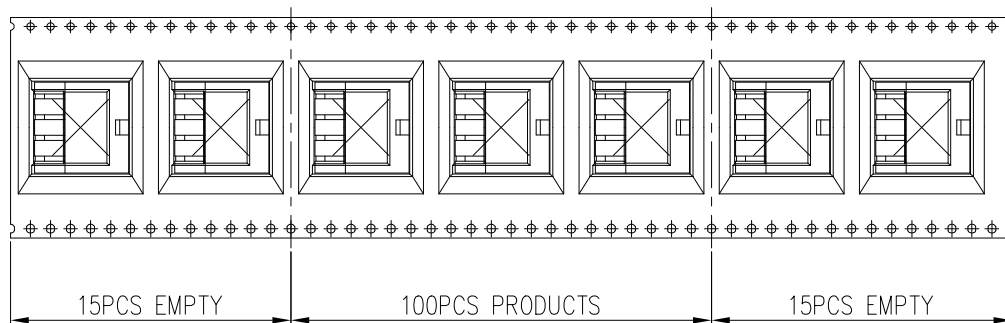
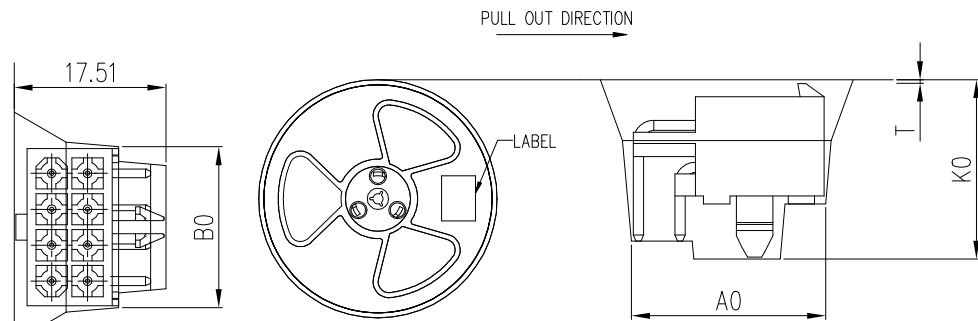
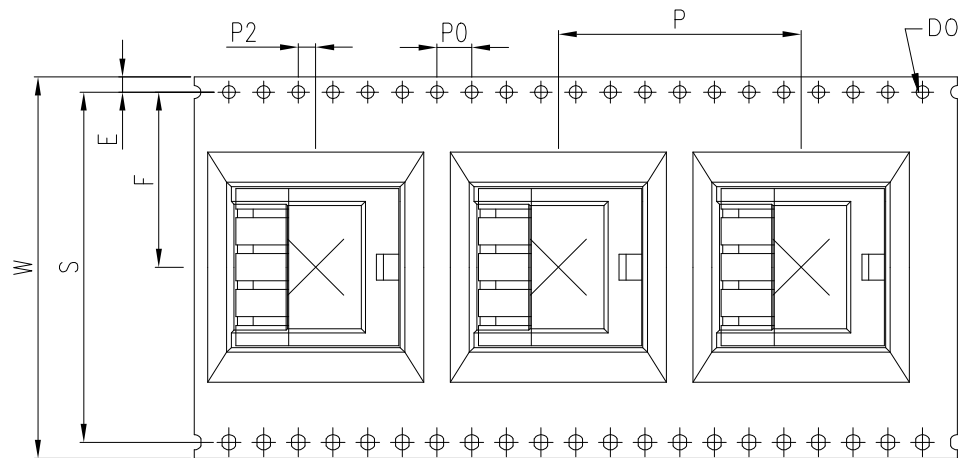
PART NUMBER SCHEME:  
 10139401-0 X X XX LF

TAIL LENGTH  
 0. 3.68mm  
 1. 2.28mm

NO OF POS.  
 08: 8 POS.

CONTACT PLATING  
 1. 15u” GOLD PLATED  
 2. GOLD FLASH

mat'l. code		surface ISO 1302 ✓		tolerance ISO 406 ISO 1101		projection		product family	
						1101		MINITEK PWR	
ltr	ecn no	dr	date	tolerances unless otherwise specified		title			
A		TONY	2017-07-14	angles		.0±.30		R/A HEADER, 4.14mm PITCH	
B	ELX-N-28266	TONY	2017-10-26	linear		.00±.20		DIP, DUAL ROW, 8 POS.	
C	ELX-N-28383	TONY	2017-11-07	0°±2'		scale 1:1		dwg no	
		dr	KENNY TAI	2016-11-24		Amphenol FCI		sheet 1 of 2	
		engr	KENNY TAI	2016-11-24				size	
		chr	KENNY TAI	2016-11-24				10139401	
		appd	PM ZHENG	2016-11-24				A3	
sheet index		revision	C	C	type Product Customer Drawing				
1		sheet	1	2					



PCS REEL	REELS CARTON	QUANTITY (PCS)	W	S	E	F	T	P	P0	P2	DO	A0	K0	B0	POS.
100	5	500	44.0	40.40	1.75	20.20	0.50	28.00	4.00	2.00	Ø1.50	19.15	17.70	18.55	08

mat'l. code		surface	tolerance	projection	product family
ISO 1302 ✓		ISO 406	ISO 1101	MINITEK PWR	
ltr	ecn no	dr	date	tolerances unless otherwise specified	title
				angles linear	R/A HEADER, 4.14mm PITCH DIP, DUAL ROW, 8 POS.
				0°±2'	scale 1:1
		dr	KENNY TAI	2016-11-24	
		engr	KENNY TAI	2016-11-24	
		chr	KENNY TAI	2016-11-24	
		appd	PM ZHENG	2016-11-24	
sheet index	revision sheet	C	C		dwg no
	1	2			10139401
					sheet 2 of 2
					size A3
					type Product Customer Drawing