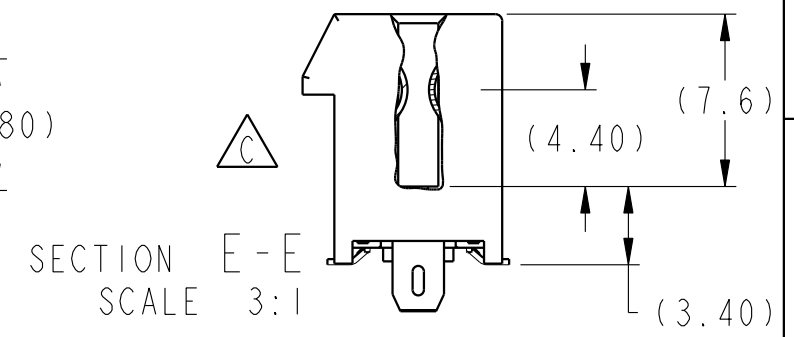
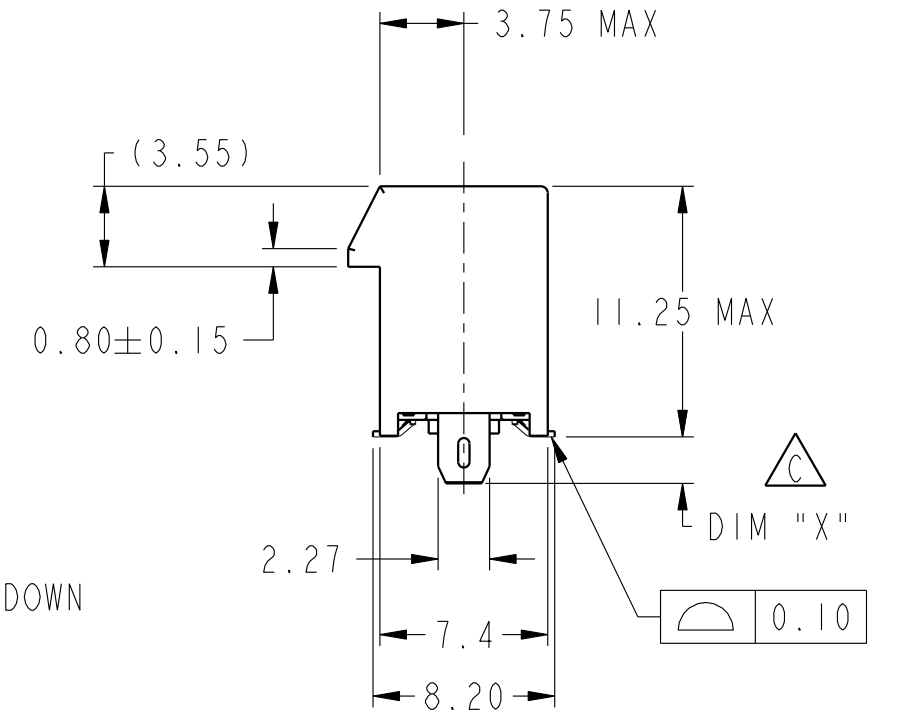
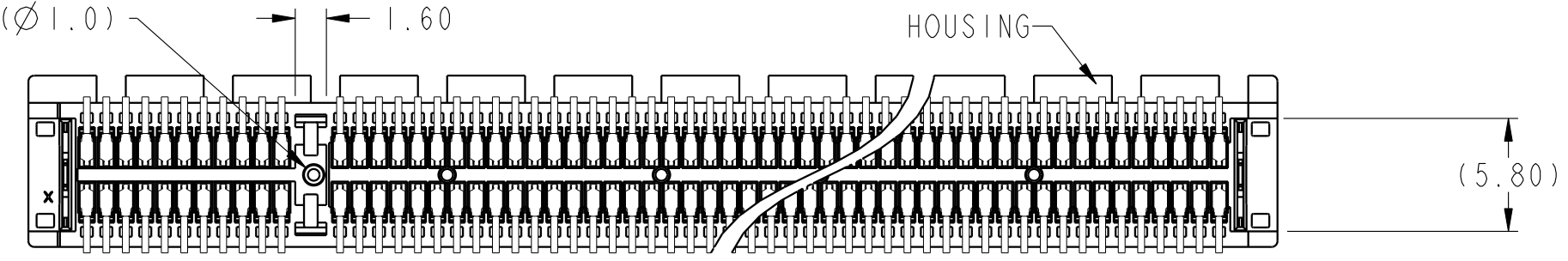
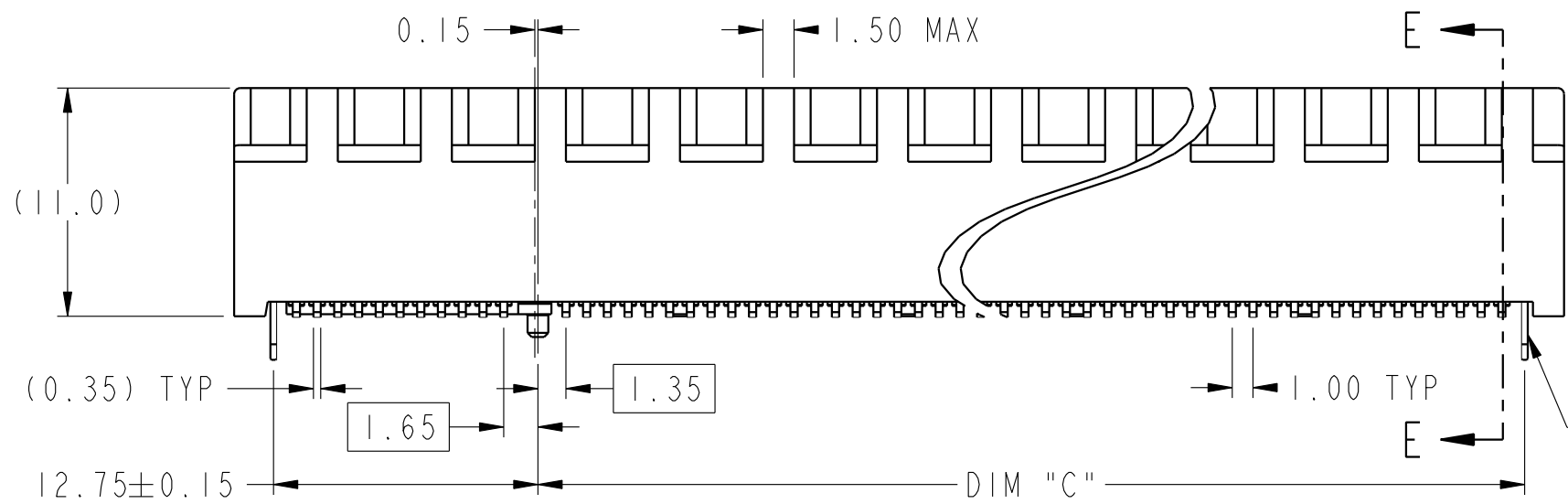
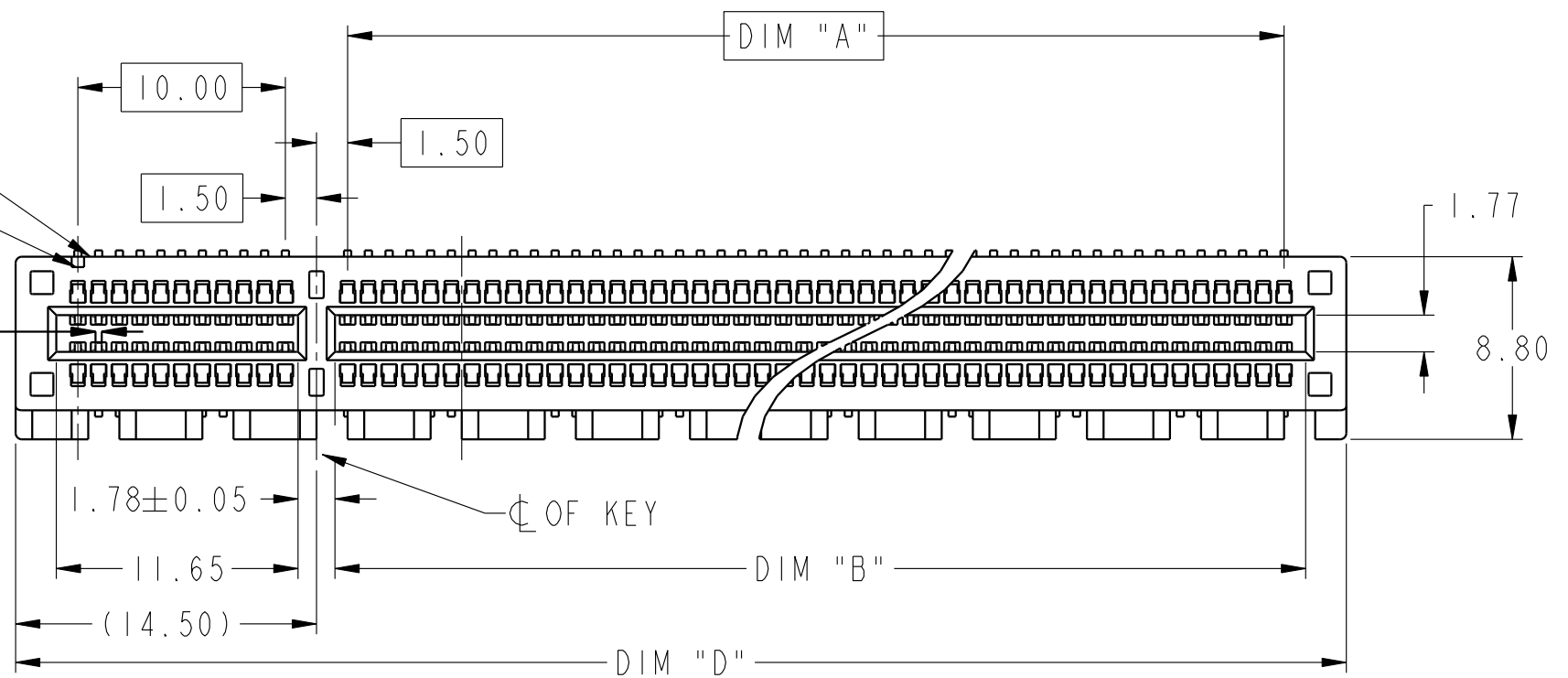


PRODUCT PARTNUMBER
10144661-XXXXLFL

PARTNO &
DATECODE

#AI IDENTIFIER

(0.30)



Amphenol
FCi

© 2016 AFCI

spec ref	-	dr	Cheong, Matthe	2017/07/13
tolerance std	ISO 406 ISO 1101	eng	-	2020/09/07
	TOLERANCES UNLESS OTHERWISE SPECIFIED	chr	-	-
surface	linear	appr	Koon-Poh Tay	2020/09/14
	angular			

projection	MM	size	A3	scale	3:1
		ecn no	ELX-S-36435-1		
		rel level	Released		

product family	PCI express	rel level	Released
PCI Express 4.0			
SMT Type- BLADE			
cat. no.	-	Product - Customer Drw	sheet 1 of 4

**Amphenol
FCi**

www.fci.com

PCI Express 4.0
SMT Type- BLADE

cat. no. -

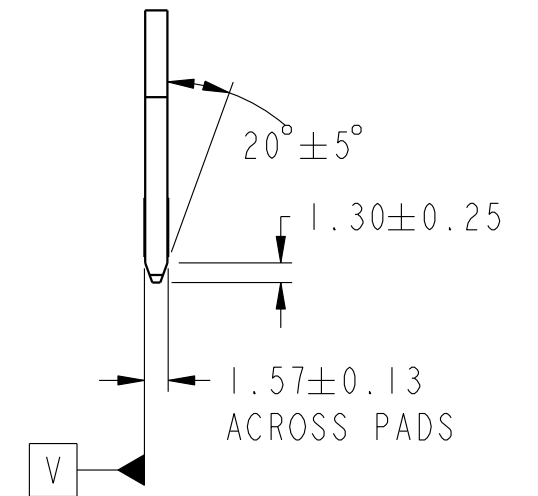
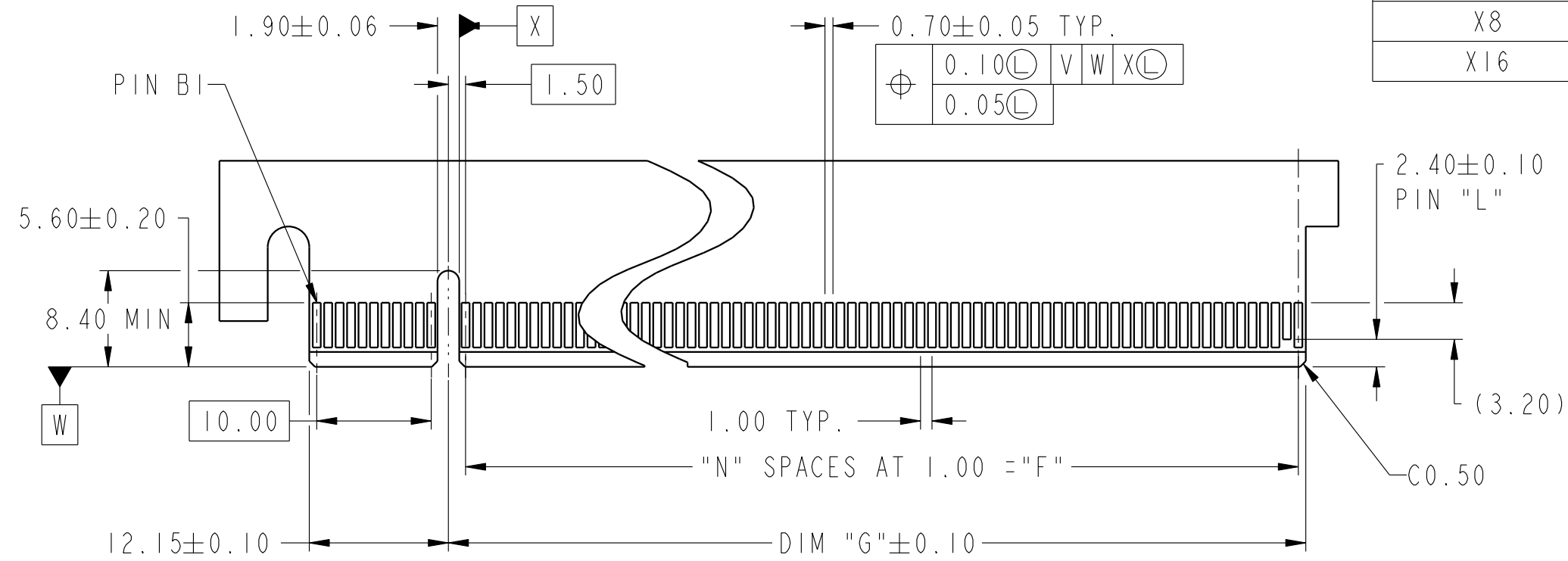
PCI Express 4.0

cat. no. -

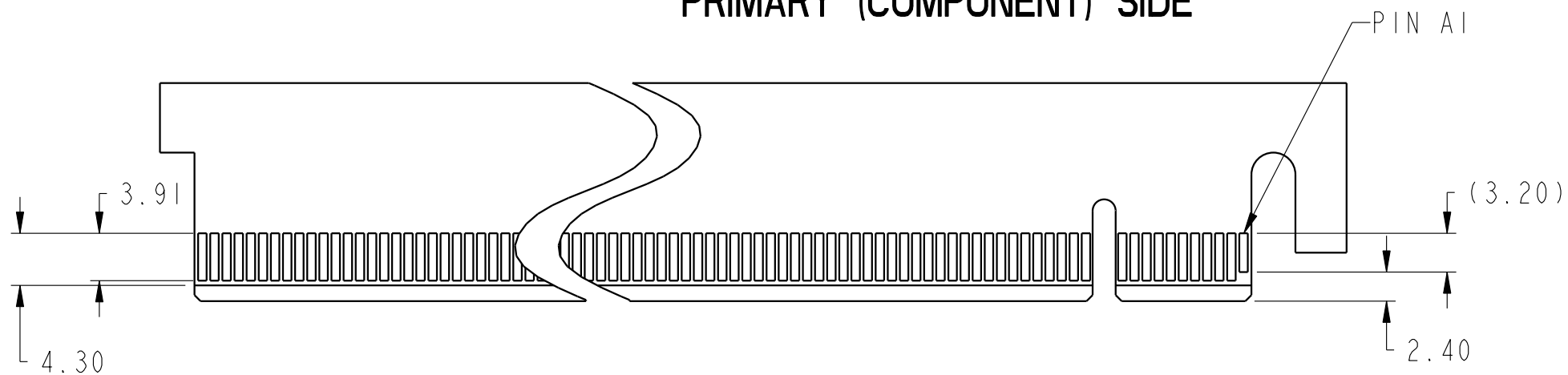
10144661

rev C

CONNECTOR LINK WIDTH	POSITION	N	DIM "G"	DIM "F"	PIN "L"
X1	36	6	8.15	6.00	B17
X4	64	20	22.15	20.00	B31
X8	98	37	39.15	37.00	B48
X16	164	70	72.15	70.00	B81



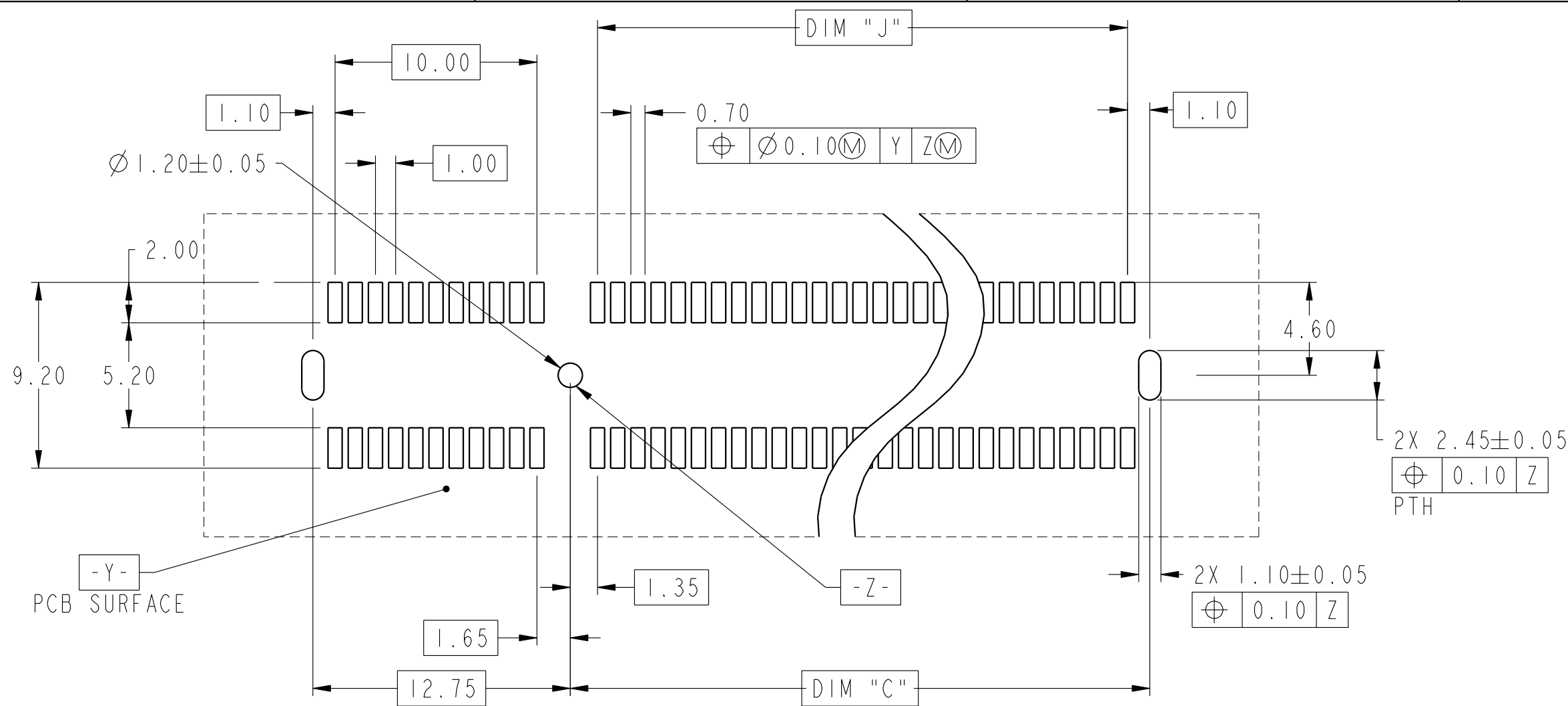
← I/O PANEL DIRECTION
PRIMARY (COMPONENT) SIDE



I/O PANEL DIRECTION →
SECONDARY (SOLDER) SIDE

- NO TIE BAR PERMITTED FROM CARD EDGE TO LEADING EDGE OF PAD FOR PIN A1 AND PIN "L".
- CHAMFER EDGES MUST BE FREE OF CUTTING BURRS.
- TOLERANCE : ± 0.13

spec ref	-	dr	Cheong, Matthe	2017/07/13	projection	MM	size	A3	scale	2:1	
tolerance std	ISO 406 ISO 1101	eng	-	2020/09/07			ecn no	ELX-S-36435-1			
TOLERANCES UNLESS OTHERWISE SPECIFIED		chr	-	-			product family	PCI express	rel level	Released	
surface	linear	appr	Koon-Poh Tay	2020/09/14	PCI Express 4.0		dwg no	10144661		rev	C
ISO 1302	angular	www.fci.com		cat. no.	Product - Customer Drw		sheet 2 of 4				



RECOMMENDED PCB LAYOUT, PAD TYPE

DIMENSIONS					
POSITION	A	B $\begin{smallmatrix} +0.15 \\ -0.05 \end{smallmatrix}$	C ± 0.15	D ± 0.23	J
36	6.00	7.65	8.45	25.00	6.00
64	20.00	21.65	22.45	39.00	20.00
98	37.00	38.65	39.45	56.00	37.00
164	70.00	71.65	72.45	89.00	70.00

spec ref	-	dr	Cheong, Matthe	2017/07/13	projection	MM	size	A3	scale	4:1	
tolerance std	ISO 406 ISO 1101	eng	-	2020/09/07			ecn no	ELX-S-36435-1			
TOLERANCES UNLESS OTHERWISE SPECIFIED		chr	-	-			product family	PCI express		rel level	Released
surface	-	appr	Koon-Poh Tay	2020/09/14	Amphenol FCI		title	PCI Express 4.0		rev	C
ISO 1302	linear $\begin{smallmatrix} 0.X & \pm 0.30 \\ 0.XX & \pm 0.20 \\ 0.XXX & \pm 0.1 \end{smallmatrix}$ angular $0^\circ \pm 2^\circ$	www.fci.com		cat. no.	-	Product - Customer Drw	sheet 3 of 4 sheet 3 of 4	10144661 10144661			

PRODUCT NUMBER CODE

10144661 - L F C

HOUSING COLOR

1: BLACK

CONTACT AREA PLATING

1: 30u" Au
2: 15u" Au

NO. OF POSITION

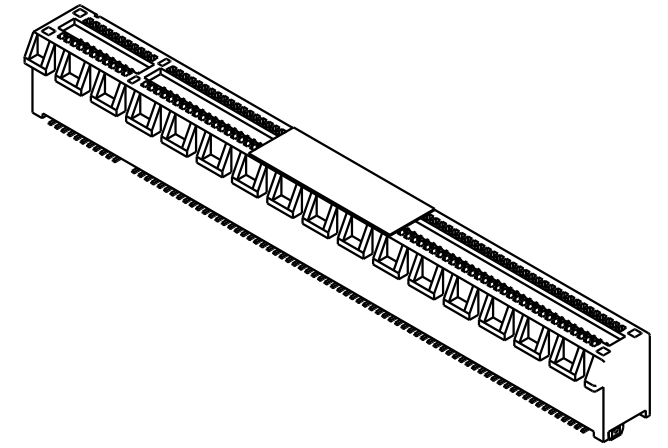
0: 36 POSITIONS
1: 64 POSITIONS
2: 98 POSITIONS
3: 164 POSITIONS

DIM "X"

0: 2.05
1: 1.20

PACKAGING OPTIONS

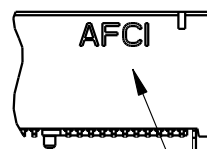
- A: HARD TRAY (323 x 136 x 19) WITH KAPTON TAPE, 22MM (98 & 164 POS)
- B: HARD TRAY (323 x 136 x 19) WITH KAPTON TAPE, 86.5MM (164 POS)
- Q: HARD TRAY (323 x 136 x 19) (98 & 164 POS)
- C: SOFT TRAY (317.5 x 235 x 18) WITH PICK-UP CAP (36 & 64 POS)
- T: SOFT TRAY (317.5 x 235 x 18) WITH KAPTON TAPE, 22MM (36 & 64 POS)
- N: SOFT TRAY (317.5 x 235 x 18) (36 & 64 POS)
- K: CUSTOM HARD TRAY (295 x 185) (164 POS)
- L: CUSTOM HARD TRAY (295 x 185) WITH KAPTON TAPE, 22M (164 POS)
- W: HARD TRAY (330 x 235 x 19.3) WITH KAPTON TAPE, 30MM (98 & 164 POS)
- X: HARD TRAY (330 x 235 x 19.3) WITH PICK-UP CAP (98 & 164 POS)
- Y: HARD TRAY (330 x 235 x 19.3) WITH KAPTON TAPE, 22MM (98 & 164 POS)
- Z: HARD TRAY (330 x 235 x 19.3) WITH KAPTON TAPE, 86.5MM (164 POS)



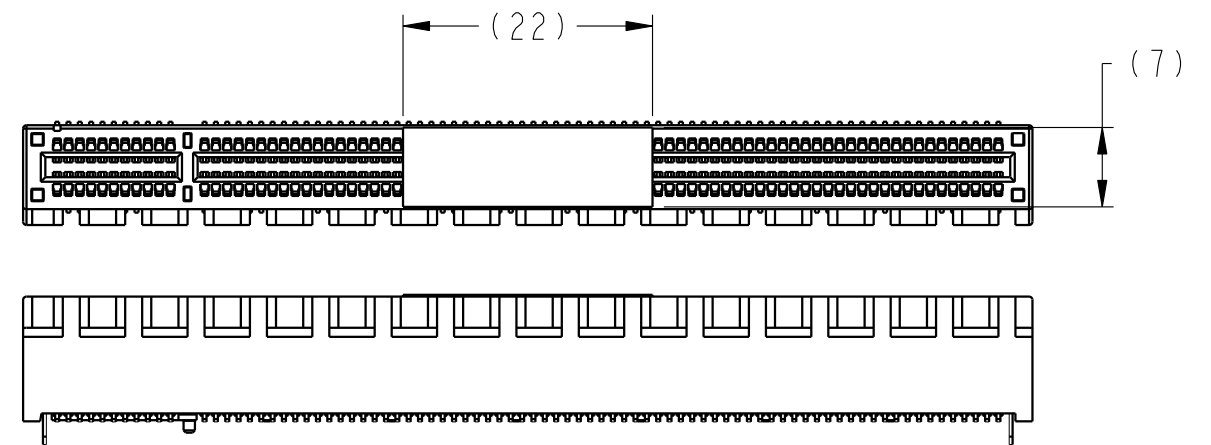
NOTES:

1. MATERIAL:
HOUSING: HIGH PERFORMANCE RESINS, GLASS FILLED, UL94V-0
CONTACT: COPPER ALLOY.
HOLDDOWN BLADES: COPPER ALLOY
2. PLATING:
CONTACT: UNDERPLATE: 50u" NICKEL OVER ALL.
SOLDER AREA: 100u" TIN (LEAD FREE).
MATING AREA: SEE PRODUCT NUMBER CODE.
HOLDDOWN BLADES: 100u" TIN OVER 50 u" NICKEL.
3. PRODUCT SPECIFICATION: GS-12-1406
4. DATE CODE "MMDDYYL", MMDDYY IS ASSEMBLY DATE.
L IS AFCI PRODUCTION SITE.
5. THIS PRODUCT MEETS EUROPEAN UNION DIRECTIVES AND OTHER COUNTRY REGULATIONS AS DESCRIBED IN GS-47-004.
6. THE HOUSING WILL WITHSTAND EXPOSURE TO 260° PEAK TEMPERATURE FOR 10 SECONDS IN A CONVECTION, INFRA-RED OR VAPOR PHASE REFLOW OVEN.

POSITION OF KAPTON TAPE



DATE CODE & PARTNO



Amphenol FCI

© 2016 AFCI

spec ref -		dr Cheong, Matthe	2017/07/13	projection	MM	size A3	scale 2:1
tolerance std ISO 406 ISO 1101		TOLERANCES UNLESS OTHERWISE SPECIFIED				ecn no ELX-S-36435-1	
surface ISO 1302		eng -	2020/09/07			product family PCI express	
linear <input checked="" type="checkbox"/> angular	0.X	±0.30	Amphenol FCI www.fci.com	PCI Express 4.0 SMT Type- BLADE		rev C 10144661	
	0.XX	±0.20					
	0.XXX	±0.1					
angular	0°	±2°	cat. no.	Product - Customer Drw		sheet 4 of 4	