

PRODUCT DESCRIPTION CODE :

10148496-Y1X LF

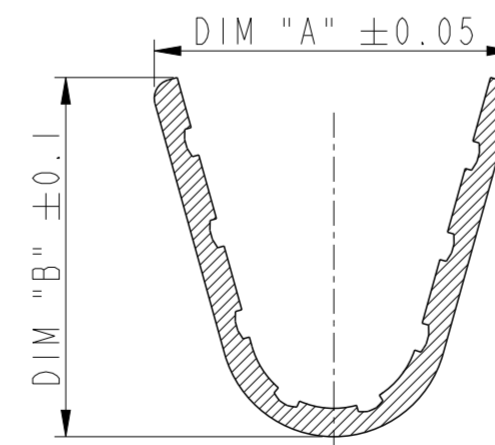
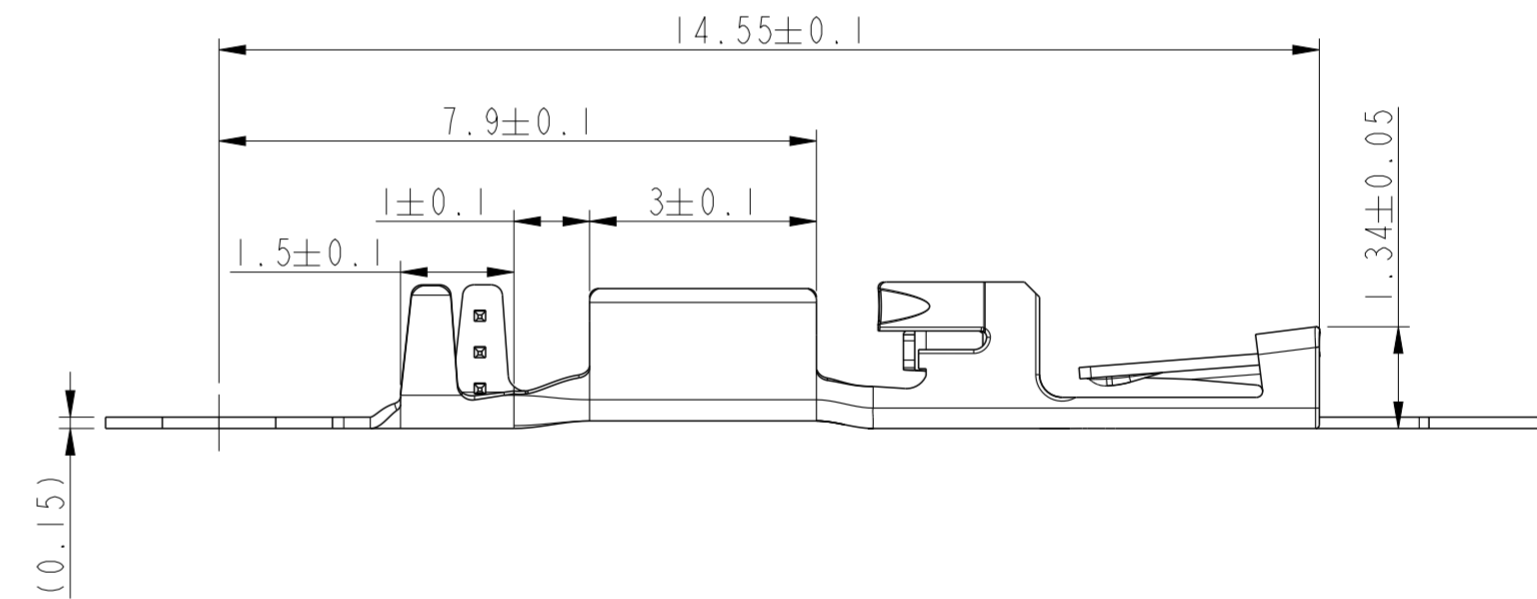
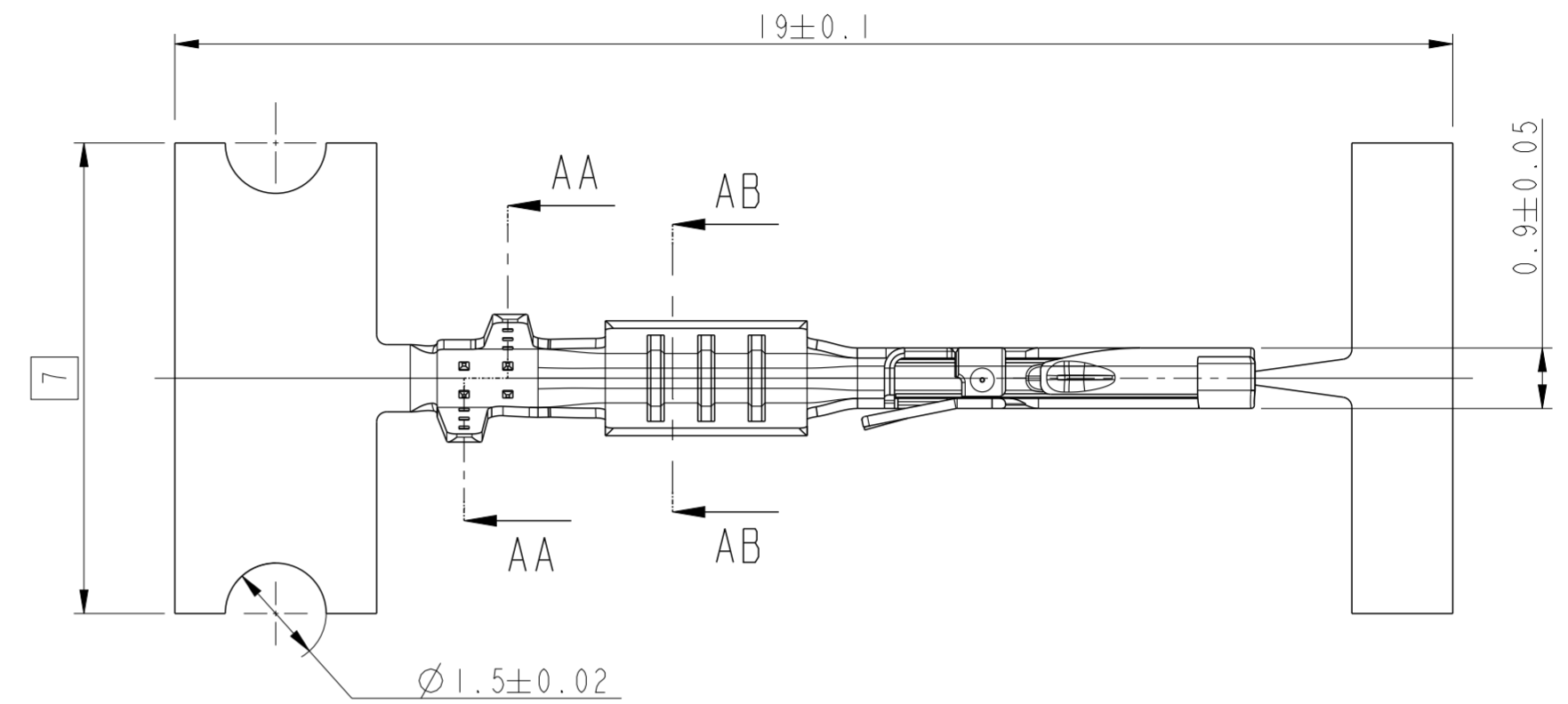
- RoHS COMPLIANT, LEAD FREE
- UNREELING DIRECTION, SEE NOTE 4 :
BLANK = DIRECTION 1
"A" = DIRECTION 2 (ON REQUEST)
- FOR CUSTOMER CODE :
BLANK = GENERAL USE
- APPLICABLE AWG, SEE NOTE 1

- PLATING :
- 1 = 3µm MIN MATTE TIN OVER 1.27µm MIN Ni UNDERLAYER (CONTACT AREA)
 - 2 = 0.8µm MIN PRE-PLATED HOT-DIP TIN

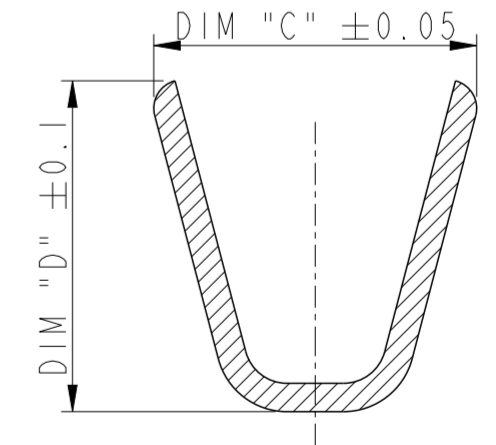
NOTES

- 1 - APPLICABLE AWG
1- AWG #22
2- AWG #26-28
3- AWG #24
- 2 - PRODUCT SPECIFICATION :
GS-12-1422 FOR 10148496-11X
GS-12-2091 FOR 10148496-21X
- 3 - APPLICATION SPECIFICATION : GS-20-0513
- 4 - PACKAGING :
15,000 PCS/REEL
2 SPLICES ALLOWED PER REEL
PACKAGING SPECIFICATION : GS-14-2790
- 5 - UNREELING DIRECTION :
-DIRECTION 1 FOR PN FINISHING BY -LF
-DIRECTION 2 FOR PN FINISHING BY -ALF
- 6 - RoHS COMPATIBLE PRODUCT SPECIFICATIONS
a - LABELLING :
MEETS PACKAGING SPECS AS PER GS-14-920
b - LEGAL STATEMENT :
SEE GS-47-0004.

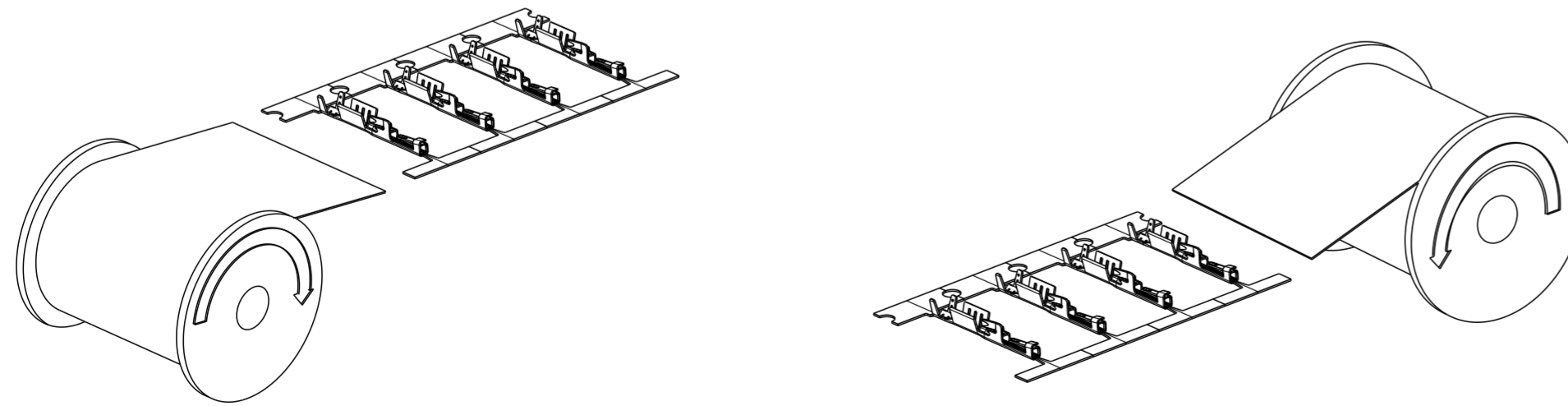
PRODUCT NO	WIRE SIZE	DIM "A"	DIM "B"	DIM "C"	DIM "D"
10148496-Y11LF	AWG 22	1.9	1.9	1.7	1.75
10148496-Y12LF	AWG 26-28	1.9	1.8	1.6	1.25
10148496-Y13LF	AWG 24	1.9	1.9	1.7	1.55



SECTION AA-AA
SCALE 25:1



SECTION AB-AB
SCALE 25:1



UNREELING DIRECTION 1

UNREELING DIRECTION 2 (ON REQUEST)

spec ref	SEE NOTE	dr	Sawarth, Ambaa	2018/07/03	projection	mm	size	A2	scale	3:1
tolerance std	ISO 406 ISO 1101	eng	Detouillon, Da	2026/03/05		mm	ecn no	ELX-F-280628-1	rel lev	Released
surface	TOLERANCES UNLESS OTHERWISE SPECIFIED	chr	-	appr						
linear	0.X ±0.1 0.XX ±0.05 0.XXX ±-	Amphenol FCI		RECEPTACLE TERMINAL		dwg no	10148496		rev	F
angular	0° ±2°	cat. no.		-		Product - Customer Drw		sheet 1 of 1		