

Amphenol
FCi

© 2016 AFci

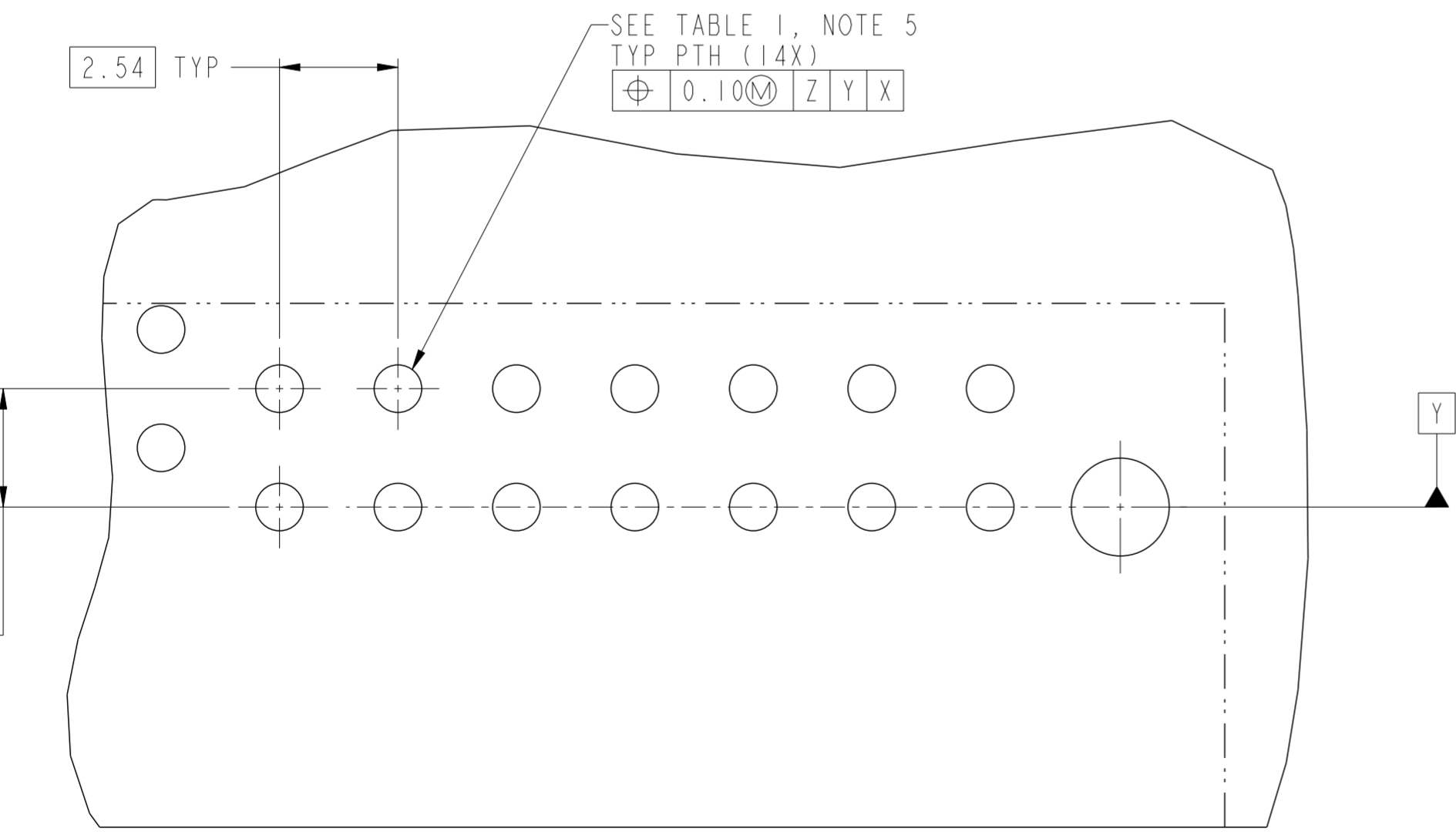
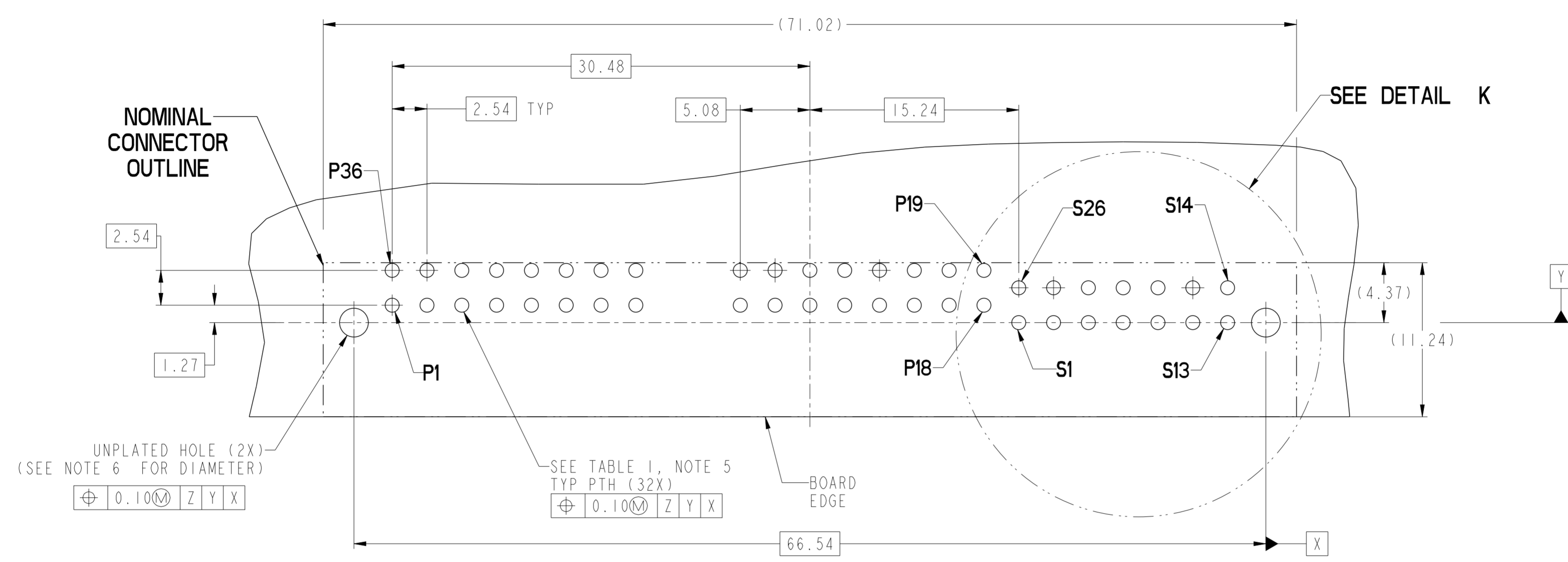
spec ref	-	dr	Ada Ye	2019/08/07	projection	MM	size	A2	scale	4:1
tolerance std	ISO 406 ISO 1101	eng	Ada Ye	2020/08/20			ecn no	-	rel level	Released
TOLERANCES UNLESS OTHERWISE SPECIFIED		chr	-	product family						
surface	linear	0.X	±0.5		R/A RECT (36P-26S) HIGH POWER CARD EDGE	cat. no.	Product - Customer Drw	sheet 1 of 4	rev A	
		0.XX	±0.25							
	angular	0°	±2°							

PDS: Rev :A

STATUS:Released

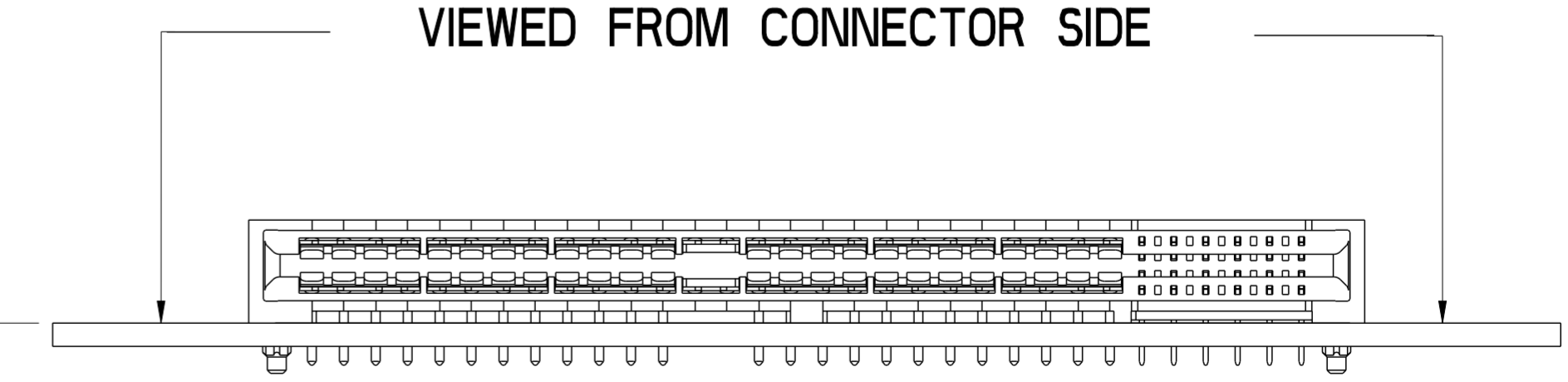
Printed: Aug 20, 2020

CONTACT TYPE	TOP LAYER DESCRIPTION	TABLE 1 (HPCE / SOLDER TAILS) PLATED THROUGH-HOLE REQUIREMENTS				
		DRILLED HOLE DIAMETER	COPPER THICKNESS	TIN-LEAD THICKNESS	TIN THICKNESS	FINISHED HOLE DIAMETER
POWER & SIGNAL	TIN-LEAD	1.10-1.16 (1.15 DRILL)	0.025 - 0.050	0.005 - 0.015	--	0.94 - 1.10
	IMMERSION TIN	1.10-1.16 (1.15 DRILL)	0.025 - 0.050	--	0.9 - 1.5um	0.94 - 1.10
	COPPER (SEE NOTE 8)	1.10-1.16 (1.15 DRILL)	0.025 - 0.050	--	--	0.94 - 1.10

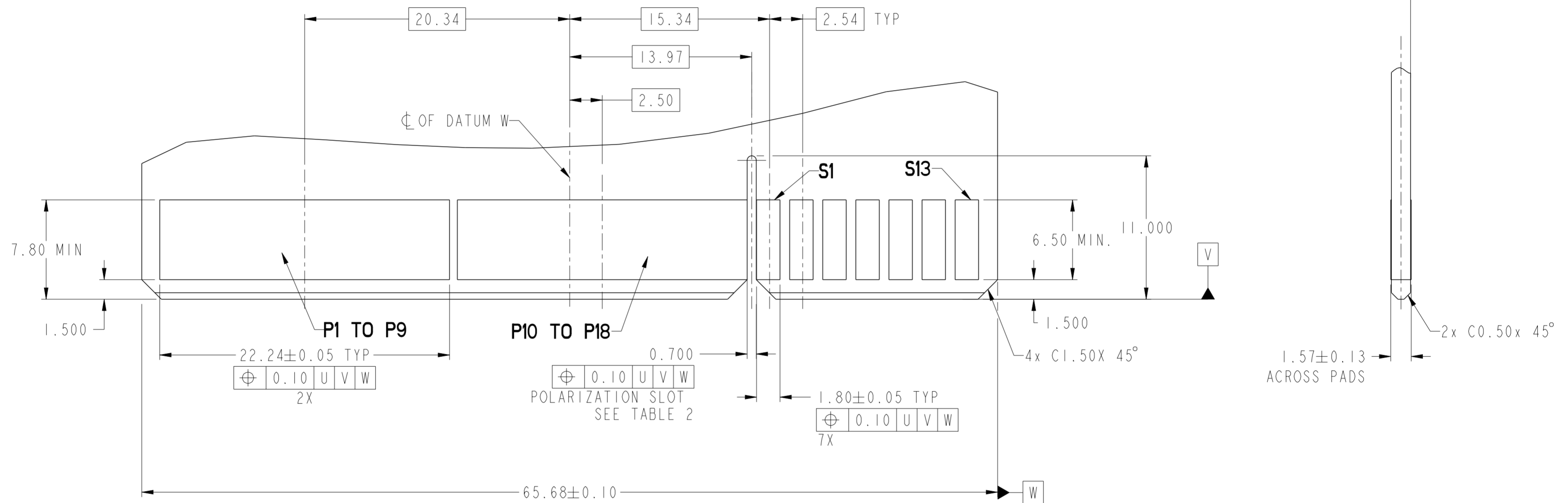


DETAIL K
SCALE 8:1

**RECOMMENDED PCB LAYOUT
VIEWED FROM CONNECTOR SIDE**



spec ref	-	dr	Ada Ye	2019/08/07	projection	MM	size	A2	scale	4:1
tolerance std	ISO 406 ISO 1101	eng	Ada Ye	2020/08/20			ecn no	-	rel level Released	rev A
TOLERANCES UNLESS OTHERWISE SPECIFIED		chr	-	product family			-			
surface	linear	0.X	±0.5	Amphenol FCI	R/A RECT (36P-26S) HIGH POWER CARD EDGE	cat. no.	Product - Customer Drw	sheet 2 of 4	drg no 10153240	
		0.XX	±0.25							
	angular	0°	±2°							

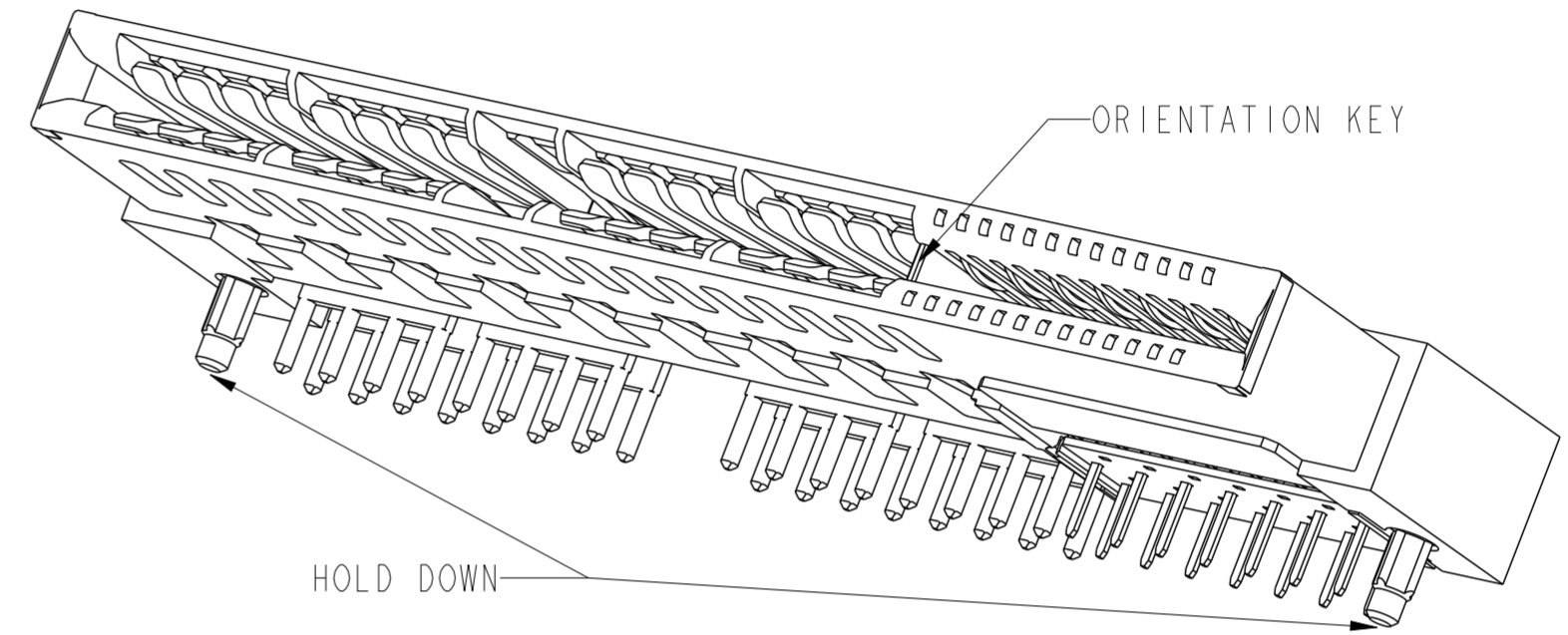


**REFERENCE
PANDEMONIUM POWER SUPPLY BOARD**

spec ref	-	dr	Ada Ye	2019/08/07	projection	MM	size	A2	scale	4:1
tolerance std	ISO 406 ISO 1101	eng	Ada Ye	2020/08/20			ecn no	-	rel level	Released
TOLERANCES UNLESS OTHERWISE SPECIFIED		chr	-	appr						
surface	linear	0.X	±0.5		Amphenol FCI		title R/A RECT (36P-26S) HIGH POWER CARD EDGE		dwg no 10153240	rev A
		0.XX	±0.25		cat. no.	-	Product - Customer Drw	sheet 3 of 4		
	angular	0°	±2°							

HPCE PART NUMBER (TABLE 2)

PART NUMBER	TAIL TYPE	HOLD-DOWN OPTION	ORIENTATION KEY	DIM T TAIL LENGTH ±0.25	DIM B MATING LENGTH
10153240-001LF	SOLEDER TAIL	YES	NO	3.18	3.50
10153240-002LF			YES		



NOTES:

1. PRODUCT MARK:
PART NUMBER AND DATE CODE TO BE MARKED ON THIS SURFACE .
THE MARK CAN BE OMITTED IF THERE IS NOT ENOUGH SPACE ON THIS SURFACE.
2. MATERIALS:
-HOUSING : HIGH TEMPERATURE THERMOPLASTIC WITH GLASS FIBER, UL94V-0, BLACK.
-CONTACT : COPPER ALLOY.
3. CONTACT FINISH REF: GS-12-604 SECTION 5.2.
4. DENOTES CONNECTOR KEEP OUT ZONE.
5. ALL HOLE DIAMETERS ARE FINISHED HOLE SIZES.
6. MOUNTING HOLES ARE UNPLATED
Ø2.18 +/- 0.03 FOR SOLDER TAILS
7. THE HOUSING WILL WITHSTAND EXPOSURE TO 245°C PEAK TEMPERATURE FOR 10 SECONDS
IN A WAVE SOLDER APPLICATION.
8. THIS PRODUCT MEETS EUROPEAN UNION DIRECTIVES AND OTHER COUNTRY
REGULATIONS AS DESCRIBED IN GS-47-0004.
9. PRODUCT SPECIFICATION : GS-12-604.
APPLICATION SPECIFICATION : GS-20-128.
PACKAGING SPECIFICATION: GS-14-937.
10. A \triangle SYMBOL WILL BE NEXT TO ANY DIMENSION, VIEW, OR NOTE WHICH HAS BEEN MODIFIED
WITH THE CURRENT DRAWING REVISION.

spec ref	-	dr	Ada Ye	2019/08/07	projection	MM	size	A2	scale	4:1		
tolerance std	ISO 406 ISO 1101	eng	Ada Ye	2020/08/20			ecn no	-	rel level		Released	
TOLERANCES UNLESS OTHERWISE SPECIFIED		chr	-	appr			Zheng, Pei-Min	2020/08/20	product family	HPCE		
surface	linear	0.X	±0.5	Amphenol FCI			R/A RECT (36P-26S) HIGH POWER CARD EDGE		cat. no.	-	Product - Customer Drw	
		0.XX	±0.25						dwg no	10153240	rev	A
	angular	0°	±2°						sheet 4 of 4			

PDS: Rev :A

STATUS:Released

Printed: Aug 20, 2020

Amphenol FCI

© 2016 AFCI