

NOTE:

- 1) MATERIAL : NYLON66, UL94-V0, GLOW WIRE COMPATIBLE.
- 2) MATES WITH AFCI PARTS 10127816, 10144559, 10127820, 10127819, 10138978, 10131319 & 10131318.
- 3) FOR USE WITH AFCI TERMINAL 10134170.
- 4) FOR USE WITH AFCI TPA ALIGNER 10153465.
- 5) USE TWO TPA ALIGNERS FOR DUAL ROW HOUSING AND ONE TPA ALIGNER FOR SINGLE ROW HOUSING

PART NUMBER SCHEME:

10153466-XX X LF

POSITION CODE COLOUR:
 04 → 4 POSITION Blank → Natural
 06 → 6 POSITION
 08 → 8 POSITION

DIMENSIONAL AND PART NUMBER TABLE

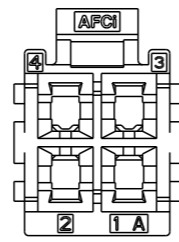
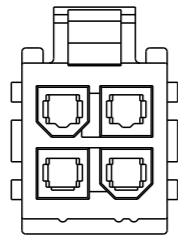
PART NO.	A	B	C
10153466-04XLF	4.2	9.6	11.0
10153466-06XLF	8.4	13.8	15.2
10153466-08XLF	12.6	18.0	19.4

spec ref	dr	Akhil Rajan	2020/06/29	projection	MM	size	A3	scale	2:1
tolerance std	eng	Paul Mithun	2020/06/29			ecn no	-	rel level	Released
ISO 406 ISO 1101	chr	-	-						
surface	linear	0.X	±0.30	product family	MTK PWR 4.2	rel level	Released	cat. no.	Product - Customer Drw
		0.XX	±0.25						
ISO 1302	angular	0°	±2°	Amphenol FCi	TPA DUAL ROW RECEPTACLE HSG	dwg no	10153466	rev	A
					Minitek Power 4.2				
									sheet 1 of 2

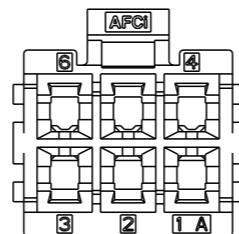
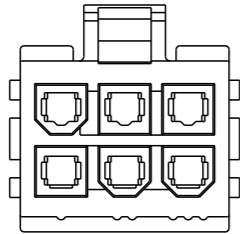
FRONT SIDE VIEW

REAR SIDE VIEW

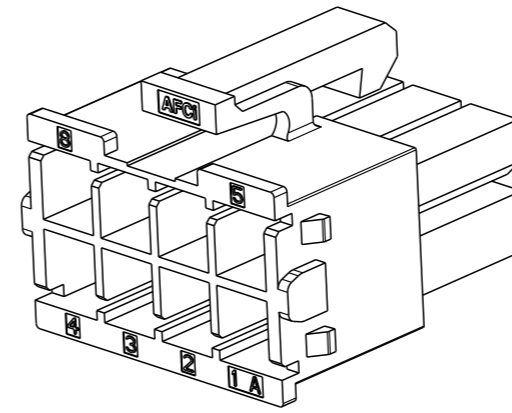
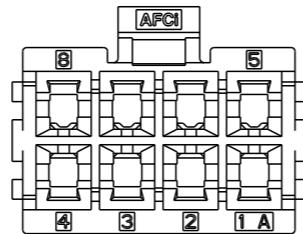
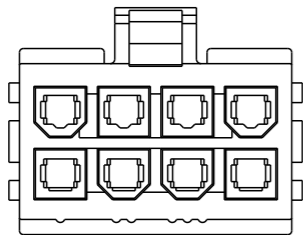
04 Pos



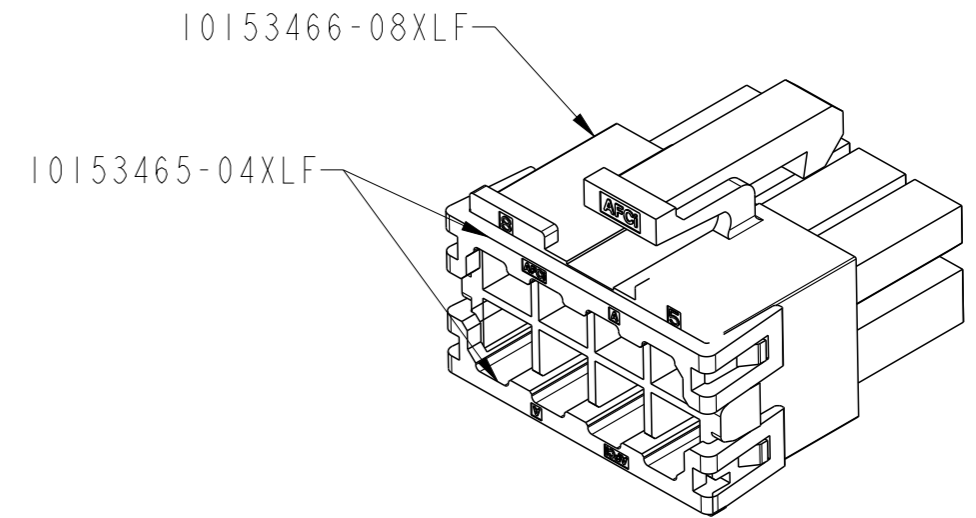
06 Pos



08 Pos



BEFORE TPA ASSEMBLY



AFTER TPA ASSEMBLY

Amphenol
FCi

© 2016 APCI

spec ref		dr	Akhil Rajan	2020/06/29	projection	MM	size	A3	scale	2:1
tolerance std		eng	Paul Mithun	2020/06/29			ecn no		-	
ISO 406 ISO 1101		chr	-	-			rel level		Released	
TOLERANCES UNLESS OTHERWISE SPECIFIED		appr	Kuriakose, San	2020/06/29	product family		MTK PWR 4.2			
surface	linear	0.X	±0.30			TPA DUAL ROW RECEPTACLE HSG		dwg no 10153466	rev	
		0.XX	±0.25			A				
		0.XXX	±			cat. no.			Product - Customer Drw	
ISO 1302	angular	0°	±2°							