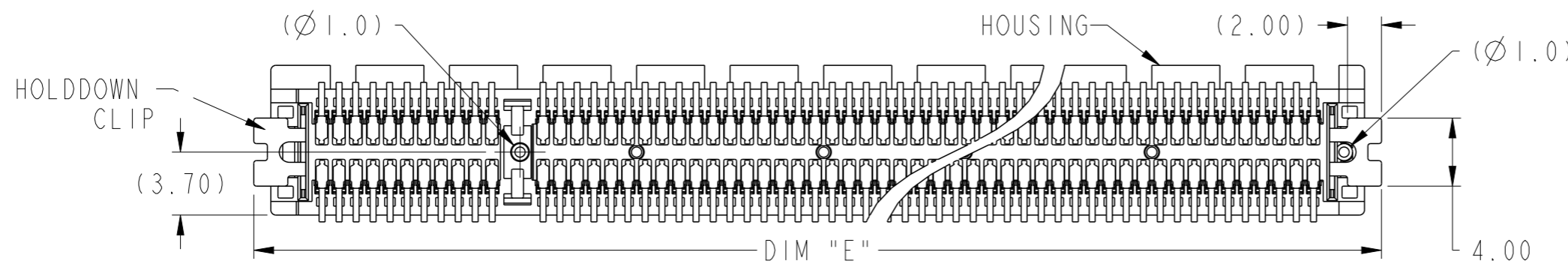
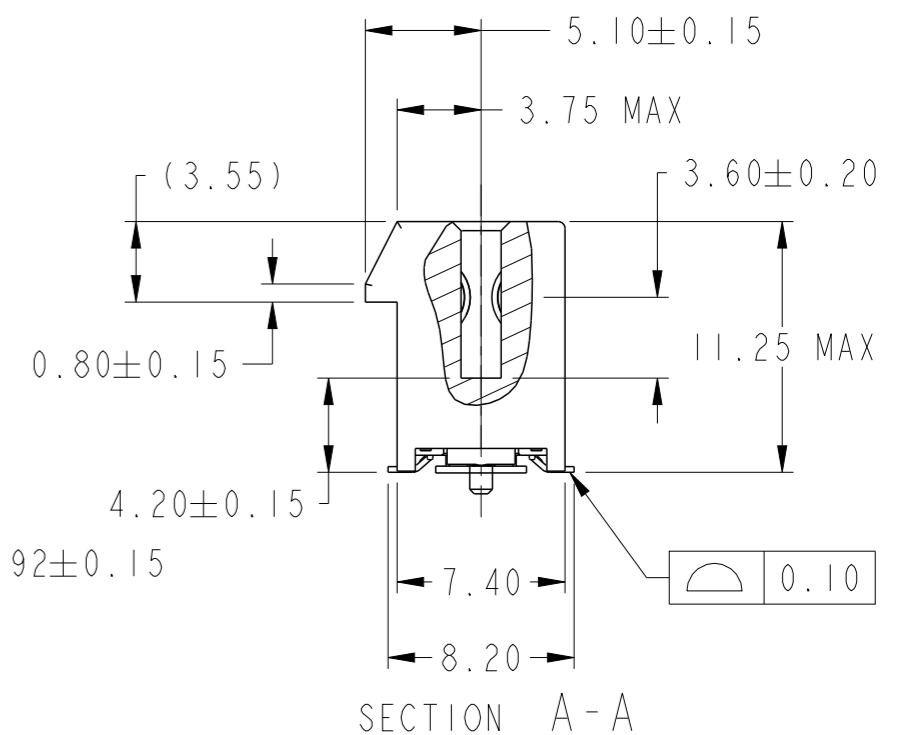
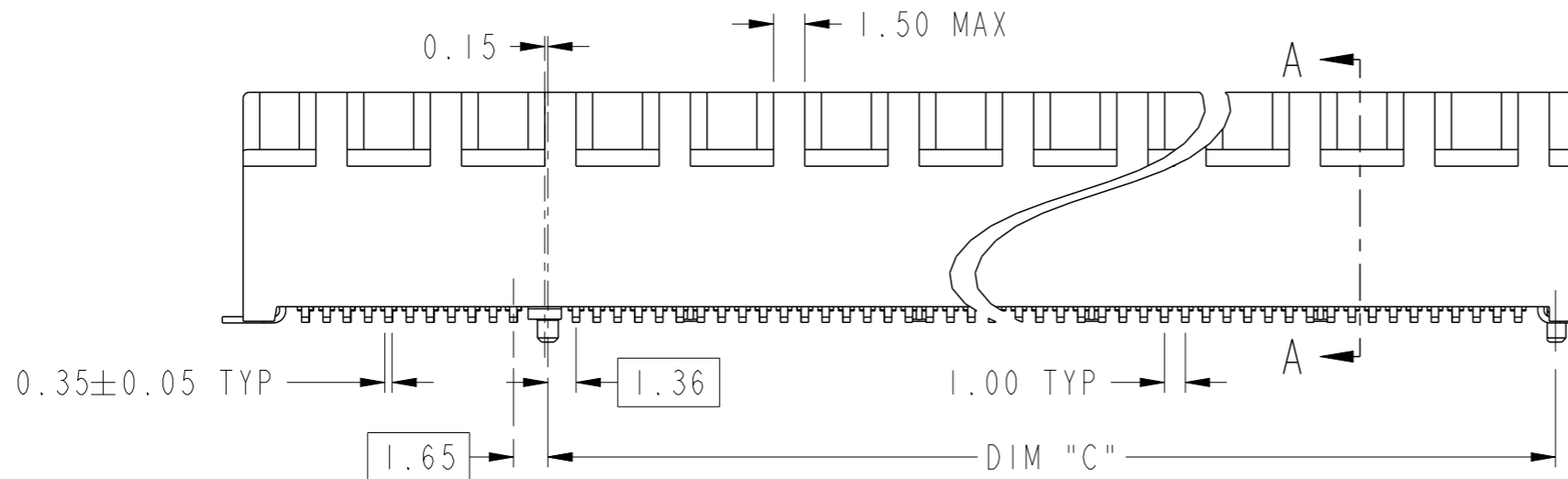
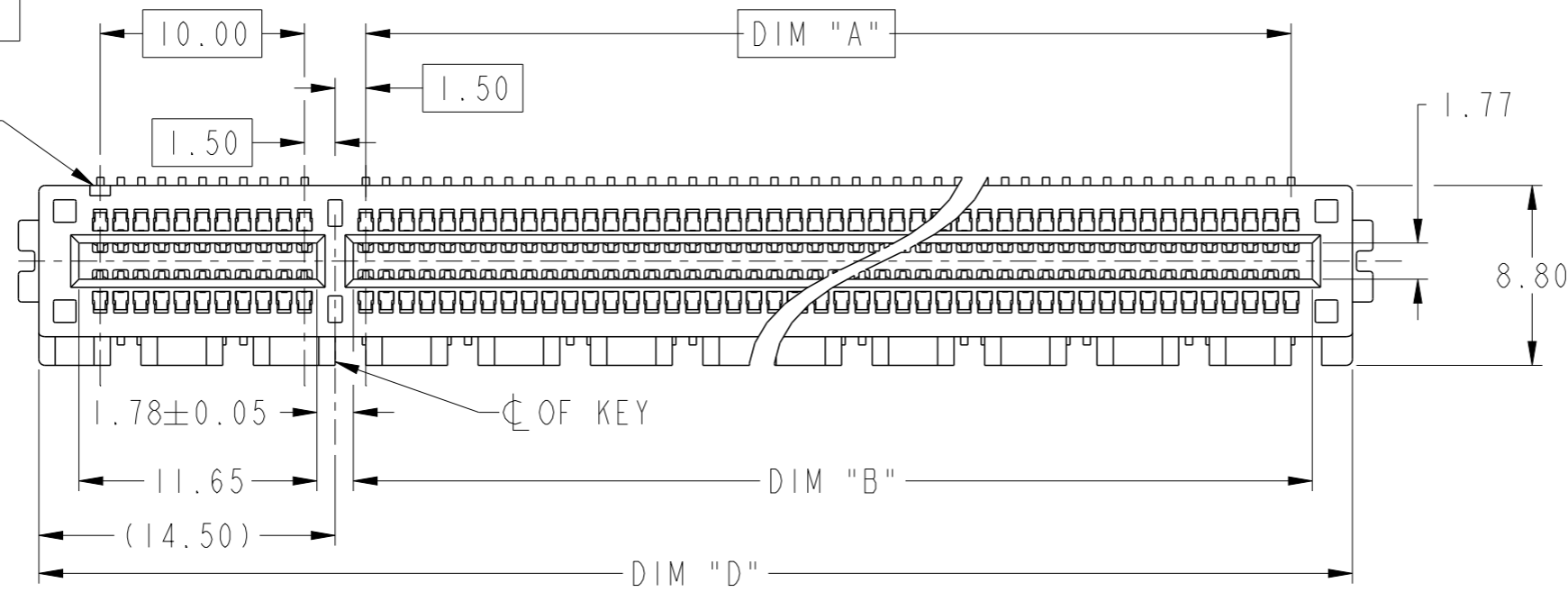


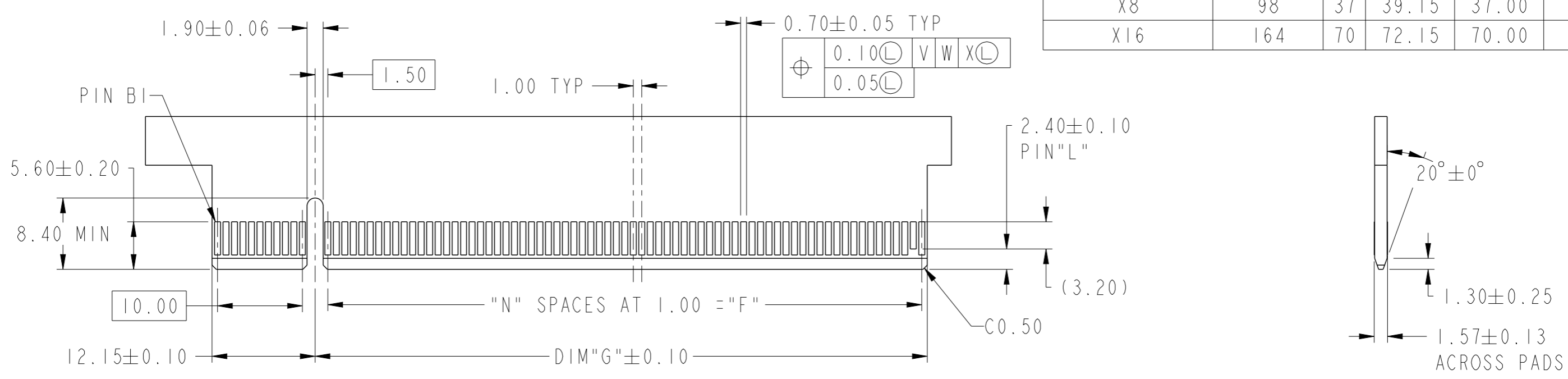
PRODUCT PARTNUMBER
10155372-XXXXX00LF

#AI IDENTIFIER

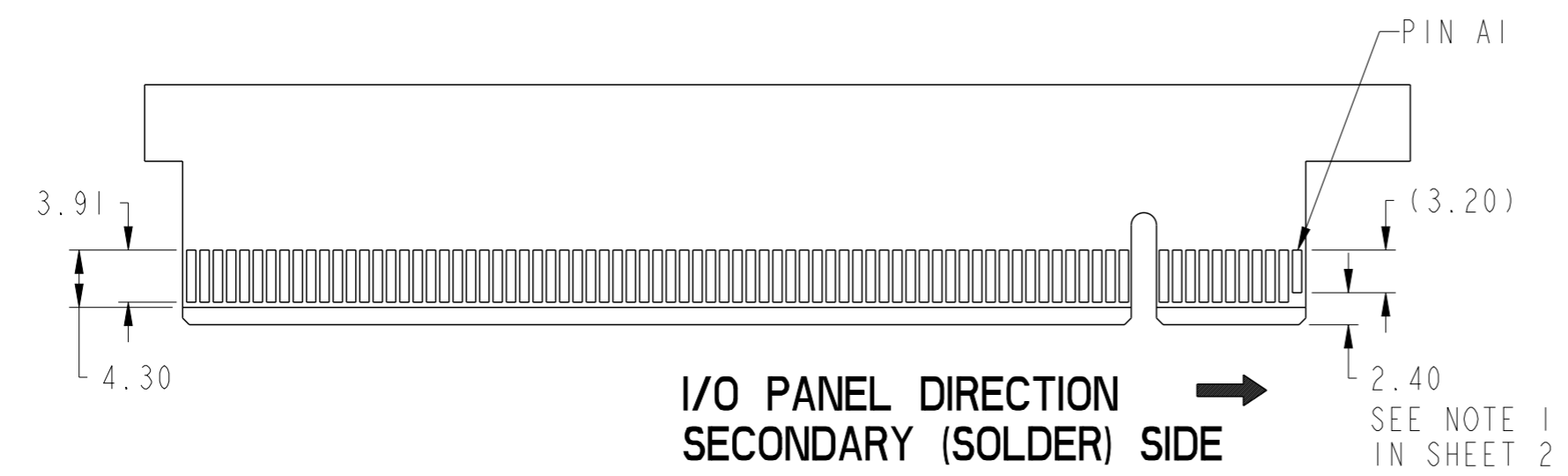


spec ref	-	dr	Sandar Soe	2019/10/28	projection	MM	size	A3	scale	3:1
tolerance std	ISO 406 ISO 1101	eng	Sandar Soe	2022/03/07			ecn no	-	rel level	Released
TOLERANCES UNLESS OTHERWISE SPECIFIED		chr	-	-			product family	PCI express	rel level	Released
surface	linear	0.X	±0.30	Amphenol FCI www.fci.com	PCIE4, SMT, 4.2MM SEATING HT ASSY, HOLDDWON CLIP		dwg no	10155372	rev	C
		0.XX	±0.20		cat. no.	-	Product - Customer Drw	sheet 1 of 4		
	angular	0°	±2°							

CONNECTOR LINK WIDTH	POSITION	N	DIM "G"	DIM "F"	PIN "L"
X1	36	6	8.15	6.00	B17
X4	64	20	22.15	20.00	B31
X8	98	37	39.15	37.00	B48
X16	164	70	72.15	70.00	B81



← I/O PANEL DIRECTION
PRIMARY (COMPONENT) SIDE



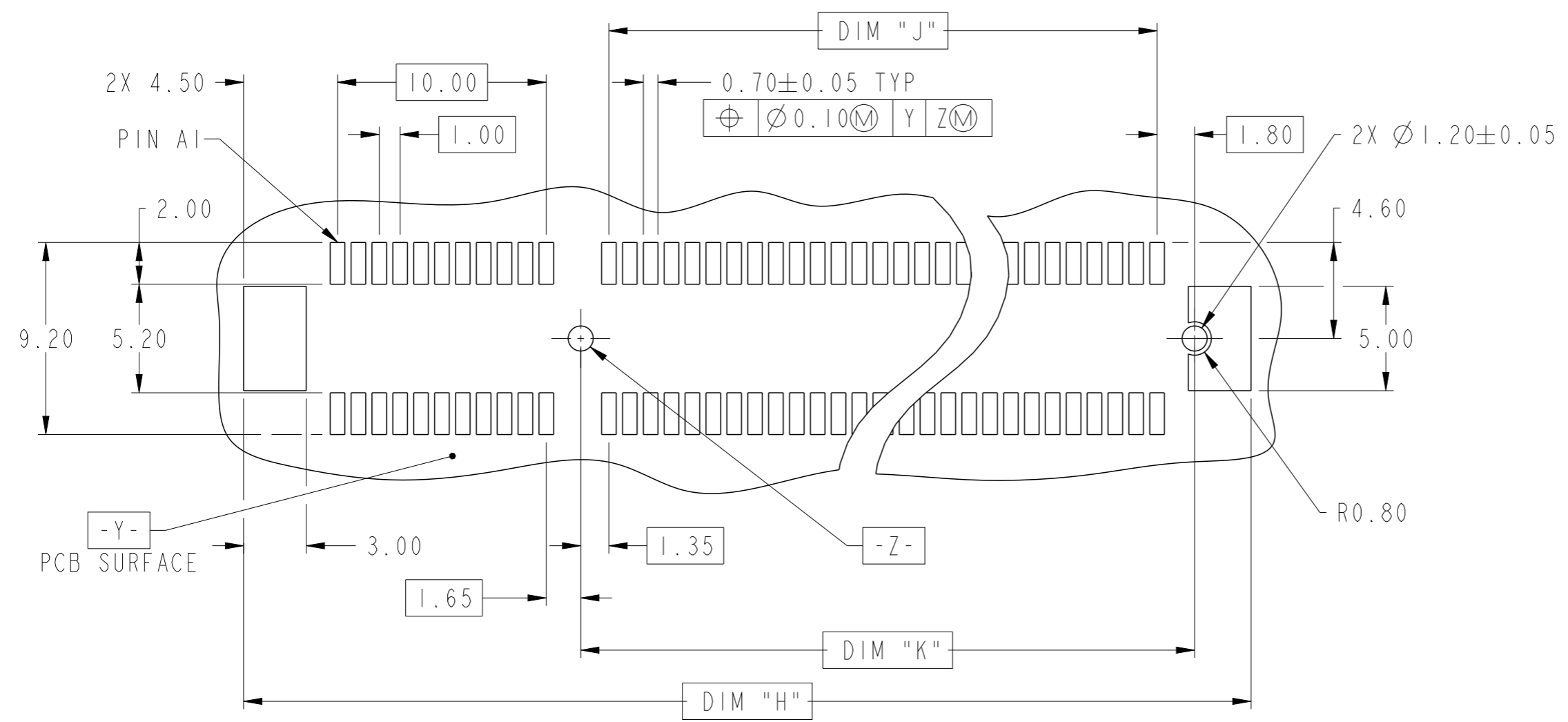
I/O PANEL DIRECTION
SECONDARY (SOLDER) SIDE →

- NO TIE BAR PERMITTED FROM CARD EDGE TO LEADING EDGE OF PAD FOR PIN AI & PIN "L"
- CHAMFER EDGES MUST BE FREE OF CUTTING BURRS
- TOLERANCE: ±0.13

spec ref	-	dr	Sandar Soe	2019/10/28	projection	MM	size	A3	scale	2:1
tolerance std	ISO 406 ISO 1101	eng	Sandar Soe	2022/03/07			ecn no	-	rel level	Released
TOLERANCES UNLESS OTHERWISE SPECIFIED		chr	-	-			product family	PCI express	rel level	Released
surface	linear	0.X	±0.30	Amphenol FCI www.fci.com	PCIE4, SMT, 4.2MM SEATING HT ASSY, HOLDDWON CLIP		dwg no	10155372	rev	C
		0.XX	±0.20		cat. no.	Product - Customer Drw	sheet 2 of 4			
	angular	0°	±2°							

Amphenol FCI

© 2020 Amphenol Corporation



RECOMMENDED PCB LAYOUT, PAD TYPE

DIMENSIONS								
POSITION	A	B ^{+0.15} / _{-0.05}	C ±0.10	D ±0.23	E ±0.20	H ±0.10	J	K ±0.10
36	6.00	7.65	9.15	25.00	27.00	28.00	6.00	9.15
64	20.00	21.65	23.15	39.00	41.00	42.00	20.00	23.15
98	37.00	38.65	40.15	56.00	58.00	59.00	37.00	40.15
164	70.00	71.65	73.15	89.00	91.00	92.00	70.00	73.15

spec ref	-	dr	Sandar Soe	2019/10/28	projection	MM	size	A3	scale	4:1	
tolerance std	ISO 406 ISO 1101	TOLERANCES UNLESS OTHERWISE SPECIFIED			eng	Sandar Soe	2022/03/07	ecn no		-	
surface	-	chr	-	-	appr	-	-	product family	PCI express	rel level	Released
ISO 1302	linear	0.X	±0.30	Amphenol FCi		PCIE4, SMT, 4.2MM SEATING HT		dwg no	10155372	rev	C
		0.XX	±0.20	www.fci.com		ASSY, HOLDDWON CLIP		cat. no.		-	Product - Customer Drw
	angular	0°	±2°					sheet 3 of 4			

PRODUCT NUMBER CODE

10155372-□□□□□00LF

HOUSING COLOR

1: BLACK

CONTACT AREA PLATING

1: 30u" Au
2: 15u" Au

NO. OF POSITION

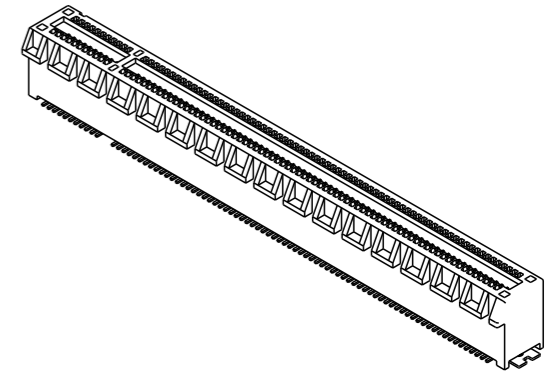
0: 36 POSITIONS
1: 64 POSITIONS
2: 98 POSITIONS
3: 164 POSITIONS

KAPTON TAPE OPTIONS

0: NIL
1: KAPTON TAPE: 22MM
2: KAPTON TAPE: 45MM (98,164 POS)
3: KAPTON TAPE: 86.5MM (164POS)
4: PICK-UP CAP

PACKAGING OPTIONS

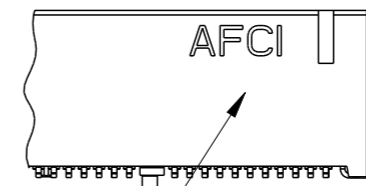
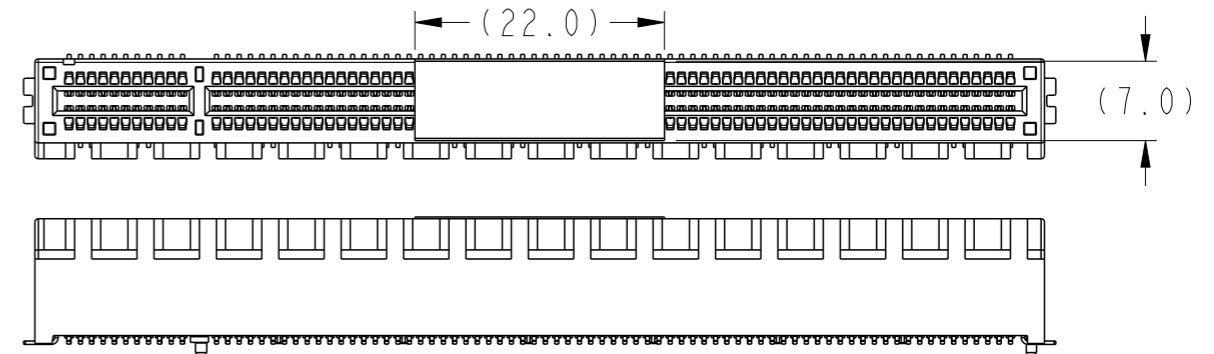
Q: HARD TRAY (DIM:323x136x19) (98,164 POS)
T: SOFT TRAY (DIM:317.5x235x18) (36,64 POS)
Y: HARD TRAY (DIM:330x235x19.3) (98,164 POS)



NOTES:

- MATERIAL:
HOUSING: LCP
CONTACT: COPPER ALLOY.
HOLDDOWN CLIP: COPPER ALLOY
- PLATING:
CONTACT: UNDERPLATE: 50u" NICKEL OVER ALL.
SOLDER AREA: 100u" TIN (LEAD FREE).
MATING AREA: SEE PRODUCT NUMBER CODE.
HOLDDOWN CLIP: 100u" TIN OVER 50 u" NICKEL.
- PRODUCT SPECIFICATION: GS-12-1406
- PRODUCT MEETS EUROPEAN UNION DIRECTIVES AND OTHER COUNTRY REGULATIONS AS DESCRIBED IN GS-47-004.
- DATE CODE "MMDDYYL", MMDDYY IS ASSEMBLY DATE. L IS AFCI PRODUCTION SITE.
- THE HOUSING WILL WITHSTAND EXPOSURE TO 260° PEAK TEMPERATURE FOR 10 SECONDS IN A CONVECTION, INFRA-RED OR VAPOR PHASE REFLOW OVEN.

POSITION OF KAPTON TAPE



DATA CODE & PARTNO

spec ref	-	dr	Sandar Soe	2019/10/28	projection	MM	size	A3	scale	2:1
tolerance std	ISO 406 ISO 1101	eng	Sandar Soe	2022/03/07		←→	ecn no	-	rel level	Released
TOLERANCES UNLESS OTHERWISE SPECIFIED		chr	-	-						
surface	linear	0.X	±0.30	Amphenol FCI	PCIE4, SMT, 4.2MM SEATING HT		dwg no	10155372	rev	C
		0.XX	±0.20		ASSY, HOLDDWON CLIP					
		0.XXX	±0.1		cat. no.	Product - Customer Drw				
ISO 1302	angular	0°	±2°	www.fci.com	Product - Customer Drw					