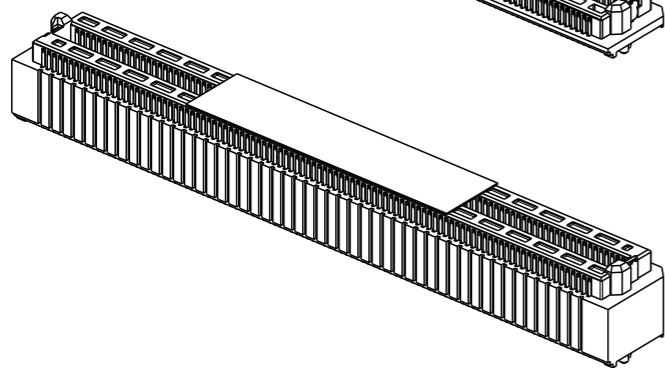
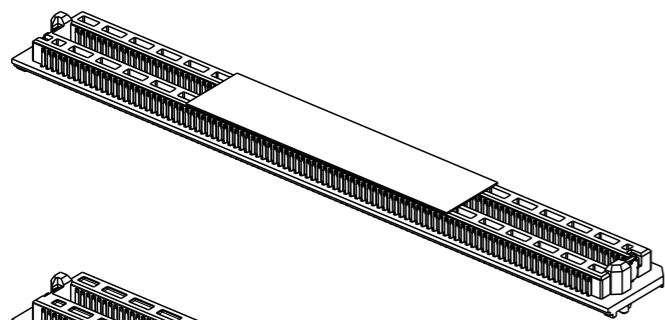
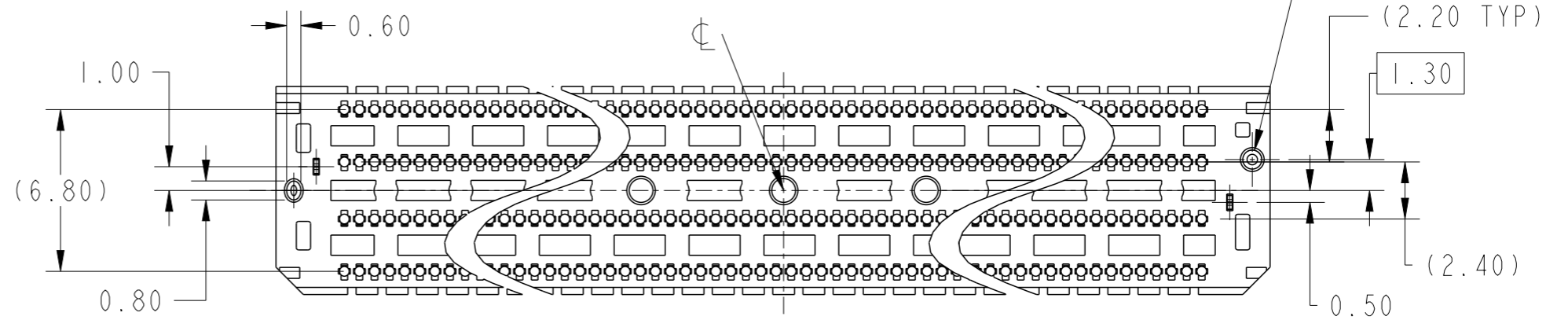
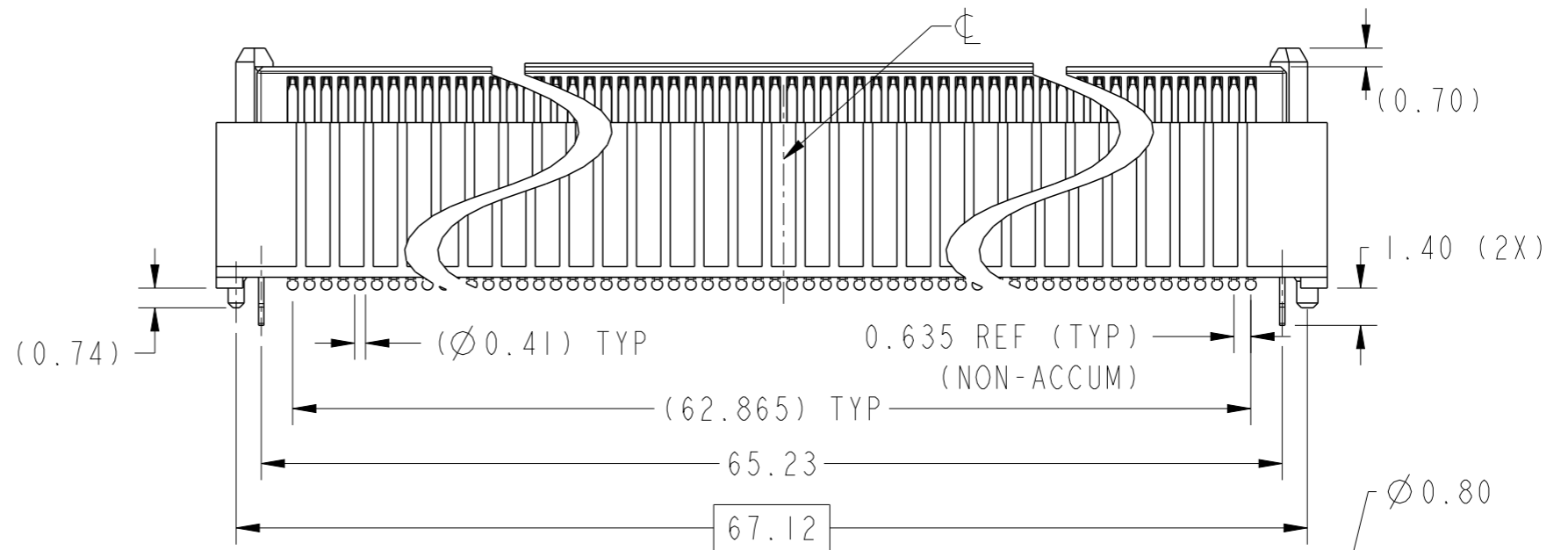
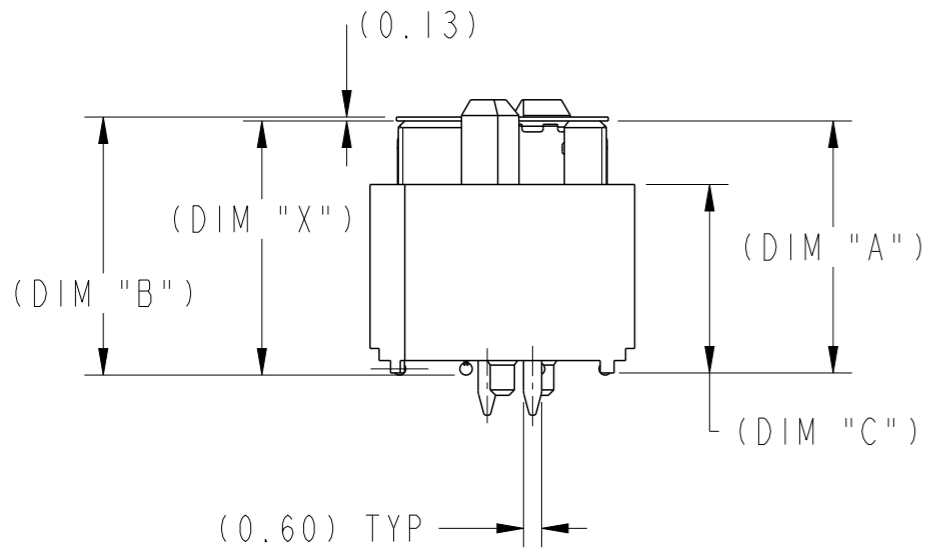
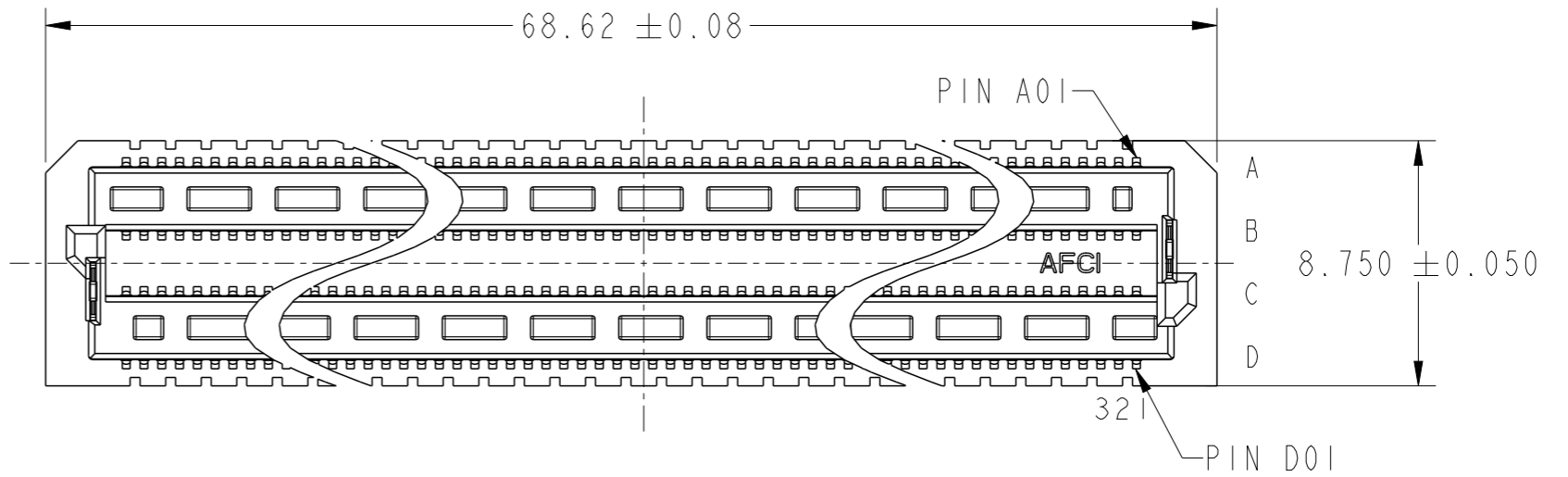


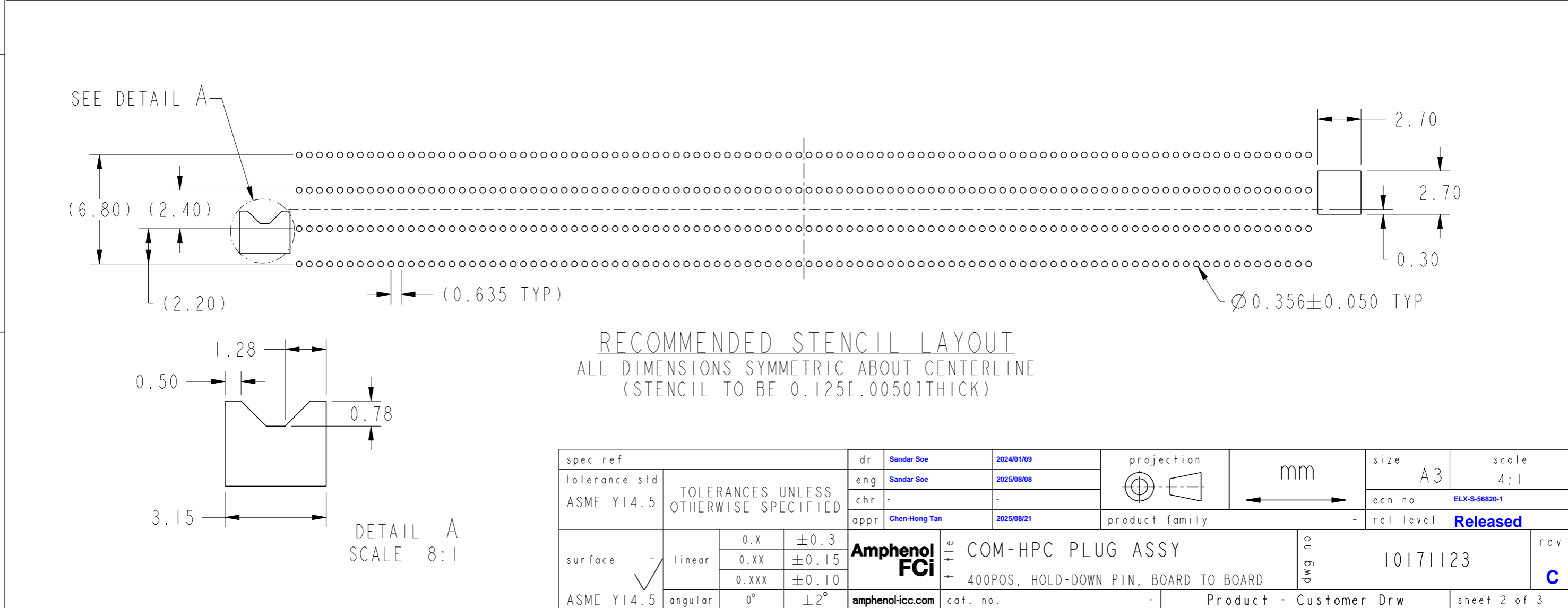
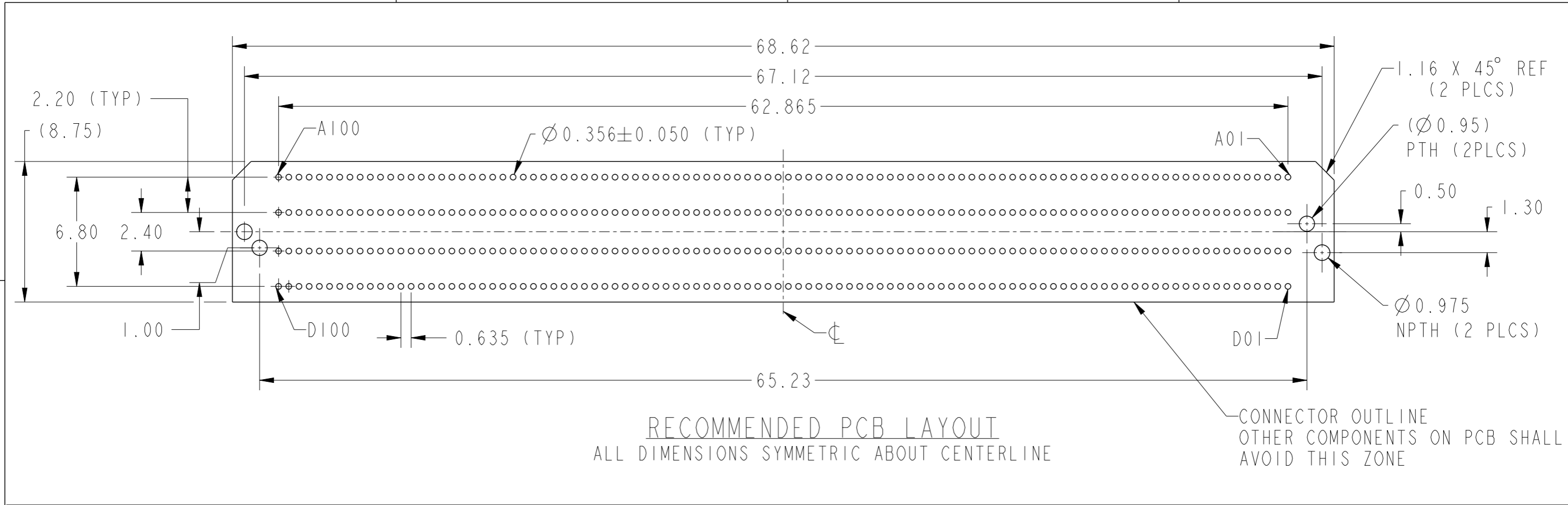
PRODUCT NO.

10171123-X4340XXLF

10171123-X4840XXLF



spec ref	dr	Sandar Soe	2024/01/09	projection	mm	size	A3	scale	4:1	
tolerance std	eng	Sandar Soe	2025/08/08			ecn no	ELX-S-56820-1	rel level	Released	
ASME Y14.5	chr	-	-							
	appr	Chen-Hong Tan	2025/08/21	product family	-					
surface	linear	0.X	± 0.3	Amphenol FCI COM-HPC PLUG ASSY 400POS, HOLD-DOWN PIN, BOARD TO BOARD amphenol-icc.com	cat. no.	-	Product - Customer Drw	sheet 1 of 3	rev	C
		0.XX	± 0.15							
		0.XXX	± 0.10							
ASME Y14.5	angular	0°	$\pm 2^\circ$							



spec ref	dr	Sandar Soe	2024/01/09	projection	mm	size	A3	scale	4:1
tolerance std	eng	Sandar Soe	2025/08/08		mm	ecn no	ELX-S-56820-1	rel level	Released
ASME Y14.5	chr	-	-						
TOLERANCES UNLESS OTHERWISE SPECIFIED	appr	Chen-Hong Tan	2025/08/21	product family					
surface	linear	0.X	±0.3	Amphenol FCI COM-HPC PLUG ASSY 400POS, HOLD-DOWN PIN, BOARD TO BOARD		dwg no	10171123	rev	C
		0.XX	±0.15						
		0.XXX	±0.10						
ASME Y14.5	angular	0°	±2°	amphenol-icc.com		cat. no.	-	Product - Customer Drw	
						sheet 2 of 3			

PRODUCT NO.	DIM "A"	DIM "B"	DIM "C"
10171123-X4340XXLF	3.33	3.53	1.23
10171123-X4840XXLF	8.33	8.53	6.23

10171123- □□□□□□□ L F

PLATING TYPE

- 1: 10u" AU
- 2: 30u" AU

PICK-UP OPTIONS

- 0 : WITHOUT MYLAR TAPE $\triangle C$
- 1 : MYLAR TAPE 30X7.00MM

PACKAGING OPTIONS

- T: TAPE & REEL

HEIGHT (DIM "X")

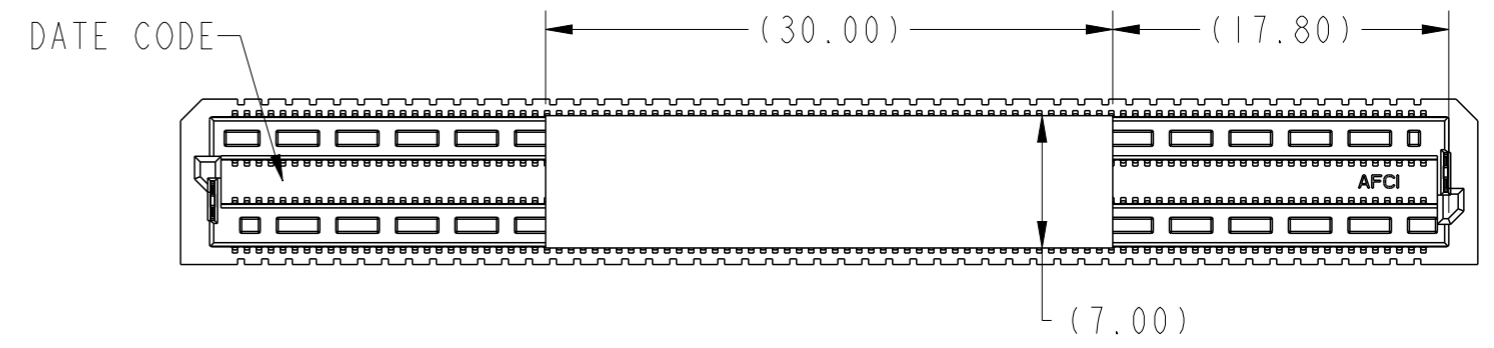
- 340: 3.40MM
- 840: 8.40MM

NO. OF POSITION

- 4: 400 POSITIONS

NOTES:

1. MATERIAL:
HOUSING: HIGH PERFORMANCE THERMOPLASTIC
CONTACT: COPPER ALLOY
HOLD-DOWN BLADE: COPPER ALLOY.
2. PLATING:
CONTACT AREA: PLATING TYPE,
OVER 50 μ " MIN NICKEL
3. PRODUCT SPECIFICATION: GS-12-1822
4. PRODUCT MEETS EUROPEAN UNION DIRECTIVES AND
OTHER COUNTRY REGULATIONS AS DESCRIBED IN GS-47-0004.
5. DATE CODE "MMDDYYL", MMDDYY IS ASSEMBLY DATE.
L IS AFCI PRODUCTION SITE.
6. A \triangle SYMBOL BE NEXT TO ANY DIMEENSON, VIEW OR
NOTE WHICH HAD BEEN MODIFIED WITH THE CURRENT
DRAWING REVISION.



PLUG ASSY WITH MYLAR TAPE

Amphenol FCI

© 2020 Amphenol Corporation

spec ref		dr	Sandar Soe	2024/01/09	projection	mm	size	A3	scale	1:1	
tolerance std		eng	Sandar Soe	2025/08/08		← →	ecn no		ELX-S-56820-1		
ASME Y14.5		chr	-	-			rel level		Released		
TOLERANCES UNLESS OTHERWISE SPECIFIED		appr	Chen-Hong Tan	2025/08/21	product family		-		-		
surface	linear	0.X	±0.3	Amphenol FCI	COM-HPC PLUG ASSY		dwg no	10171123		rev	C
		0.XX	±0.15		400POS, HOLD-DOWN PIN, BOARD TO BOARD						
		0.XXX	±0.10		amphenol-icc.com	cat. no.	-	Product - Customer Drw		sheet 3 of 3	
ASME Y14.5		angular	0°	±2°							