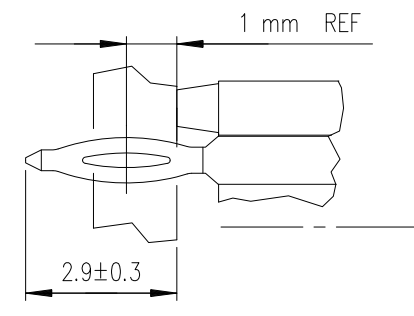


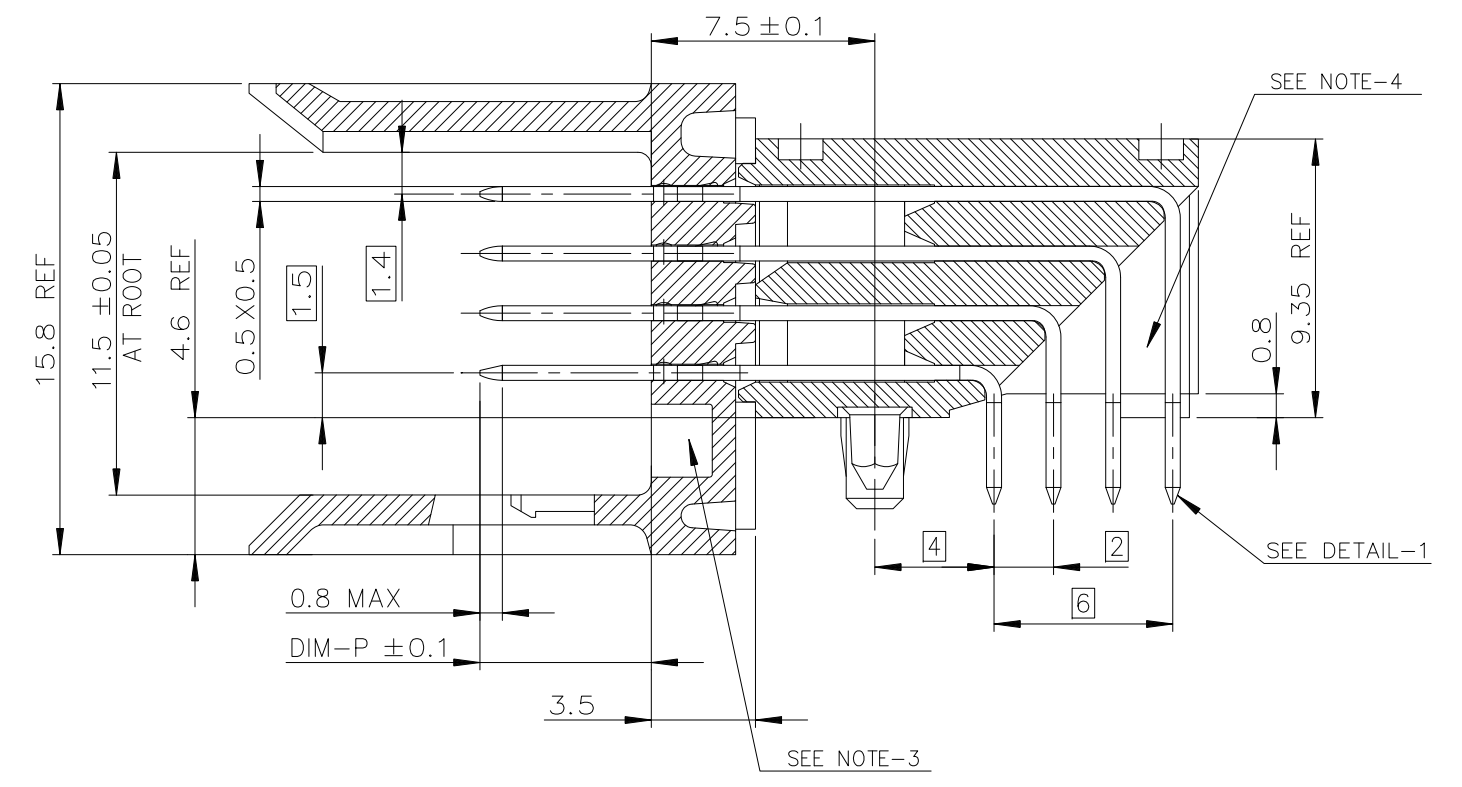
DETAIL-1: PRESS-FIT TAIL



NOTES:

1. MATERIAL : BODY : LCP UL94-V0
: CONTACT : COPPER ALLOY.
2. FOR PLATING PERFORMANCE REFER DRAWING # 101594.09
3. CODING RECESS FOR 8MM EXTENDED KEYS
4. CENTRAL WALL WITH END REAR SUPPORT
5. PACKAGING IN TRAY + COVER, IF SUFFIX "P" IS ADDED IN P/N PACKAGING IS IN TRAYS BUT CONNECTOR MARKING IS WITHOUT "P"
EXAMPLE: HM1XXXXXXXXXXHP, MARKED HM1XXXXXXXXXXH
6. THIS PRODUCT MEETS EUROPEAN UNION DIRECTIVES AND OTHER COUNTRY REGULATIONS AS DESCRIBED IN GS-47- 0004
7. A symbol will be next to any dimension, view, or note which has been modified with the current drawing revision.

SECTION-A SCALE: 4/1



GENERAL CHARACTERISTICS AND ROHS INFORMATIONS:

See PRODUCT SPECIFICATION: GS-12-445

OTHERS INFORMATIONS,SEE DRW C-8626-0151-2

mat'l. code		surface		tolerance		projection		product family	
		ISO 1302		ISO 406 ISO 1101		MM		METRAL	
ltr		ecn no	dr	date		tolerances unless otherwise specified		title	
F	LS05-0056	LGO		2005-07-06		.0±0.3		METRAL RA HDR WB CONV	
G	LS06-0097	LGO		2006-07-12		.00±0.13		4x12 CTS - PF - PUSH PEG	
H	LS07-0184	MLE		2007-07-25		.000±0.050			
J	ELX-I-38935	MINI		2020-11-12		dr		dwg no	
						CHAMPION		sheet 1 of 2	
						1994-04-05		size	
						engr		C-8626-0151-1	
						ARUN		A3	
						chr		type	
						ALEX		Product Customer Drawing	
						appd			
						SAN0J			
sheet		revision		J					
index		sheet		1					

PART NUMBER :HM1L41LFP000HXPLF

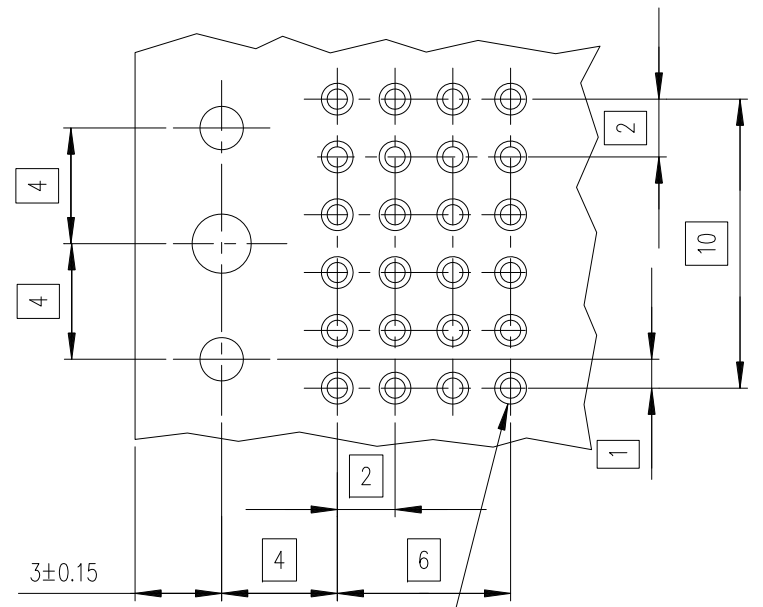
REFER NOTE 2

PART NUMBER

PART NUMBER / CONTACT LOADING					P/N AND PERFORMANCE LEVEL	SP N°
DIM-P ±0.10						
ROW-A	ROW-B	ROW-C	ROW-D			
5.00	5.00	5.00	5.00	HM1L42ADP000HXPLF		
5.75	5.75	5.75	5.75	HM1L42LDP000HXPLF		
6.50	6.50	6.50	6.50	HM1L42DDP000HXPLF		
6.50	5.00	5.00	5.00	HM1L42BDP000HXPLF		
6.50	5.75	5.75	6.50	HM1L42CDP000HXPLF		
5.00	5.00	6.50	5.00	HM1L42ZDP110HXPLF	110	
5.00	5.75	6.50	5.00	HM1L42ZDP430HXPLF	430	
5.00	5.75	5.00	5.00	HM1L42ZDP448HXPLF	448	
5.75	5.00	5.00	5.00	HM1L42ZDP009HXPLF	009	
5.75	6.50	5.75	5.00	HM1L42ZDP424HXPLF	424	
6.50	5.75	6.50	5.75	HM1L42ZDP037HXPLF	037	
6.50	5.75	5.00	5.75	HM1L42ZDP102HXPLF	102	
6.50	6.50	6.50	5.75	HM1L42ZDP135HXPLF	135	
6.50	5.75	5.75	5.75	HM1L42ZDP369HXPLF	369	
8.00	6.50	6.50	6.50	HM1L42ZDPA07HXPLF	A07	

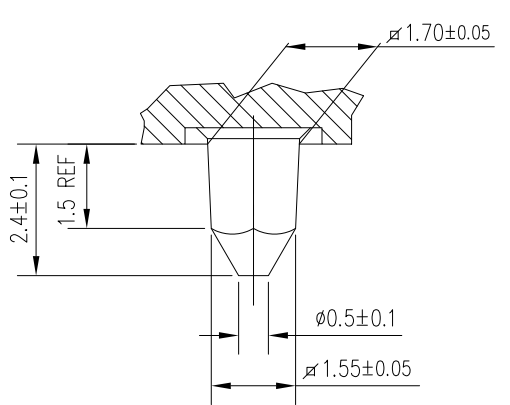
STANDARD MATING LENGTHS = 5.75 (AND 5.00-6.50)

RECOMMENDED PCB LAYOUT
PER 12MM LENGTH

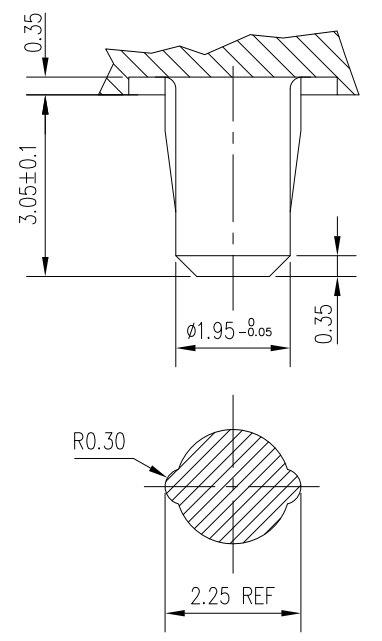


Hole according to product spec
GS-12-445 (for press-fit) ,
GS-12-446 (for STB)

DETAIL OF LOCATING PEGS (2x) SCALE 8/1



DETAIL OF CENTRAL PEG SCALE 8/1



OTHERS INFORMATIONS,SEE DRW 8626-0151-1

mat'l. code		surface ISO 1302		tolerance ISO 406 ISO 1101		projection MM		product family METRAL	
ltr		ecn no		dr		date		title METRAL RA HDR WB CONV 4x12 CTS - PF - PUSH PEG	
F		LS05-0056		LGO		2005-07-06		dwg no C-8626-0151-2 sheet 2 of 2 size A3 type Product Customer Drawing	
G		LS06-0097		LGO		2006-07-12			
H		LS07-0184		MLE		2007-07-25			
J		ELX-I-38935		MINI		2020-11-12			
dr		CHAMPION		1994-04-05					
enr		ARUN		2020-11-12					
chr		ALEX		2020-11-12					
appd		SAN0J		2020-11-12					
sheet index		revision sheet		J 1					