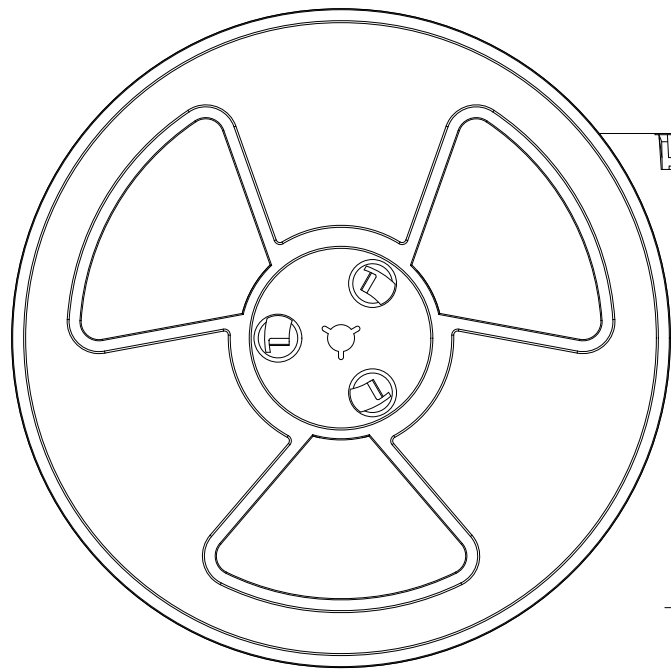


| PIN       | 1  | 5  | 9  | 13 | 17 | 21 | 25 | 29 | 33 | 37 | ... | ... | 121 | 125 | 129 | 133 | 137 | 141 | 145 |
|-----------|----|----|----|----|----|----|----|----|----|----|-----|-----|-----|-----|-----|-----|-----|-----|-----|
| UPPER ROW | P+ | P- | S  | G  | S  | S  | G  | S  | S  | G  |     |     | G   | S   | S   | G   | S   | S   | G   |
| LOWER ROW | P+ | P- | S  | G  | S  | S  | G  | S  | S  | G  |     |     | G   | S   | S   | G   | S   | S   | G   |
| LOWER ROW | P+ | P- | S  | G  | S  | S  | G  | S  | S  | G  |     |     | G   | S   | S   | G   | S   | S   | G   |
| UPPER ROW | P+ | P- | S  | G  | S  | S  | G  | S  | S  | G  |     |     | G   | S   | S   | G   | S   | S   | G   |
| PIN       | 4  | 8  | 12 | 16 | 20 | 24 | 28 | 32 | 36 | 40 | ... | ... | 124 | 128 | 132 | 136 | 140 | 144 | 148 |

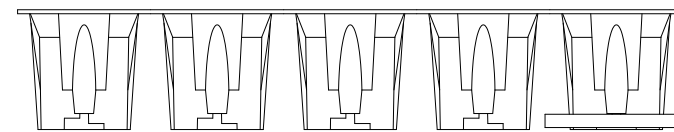
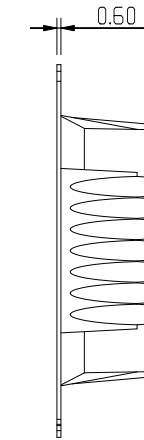
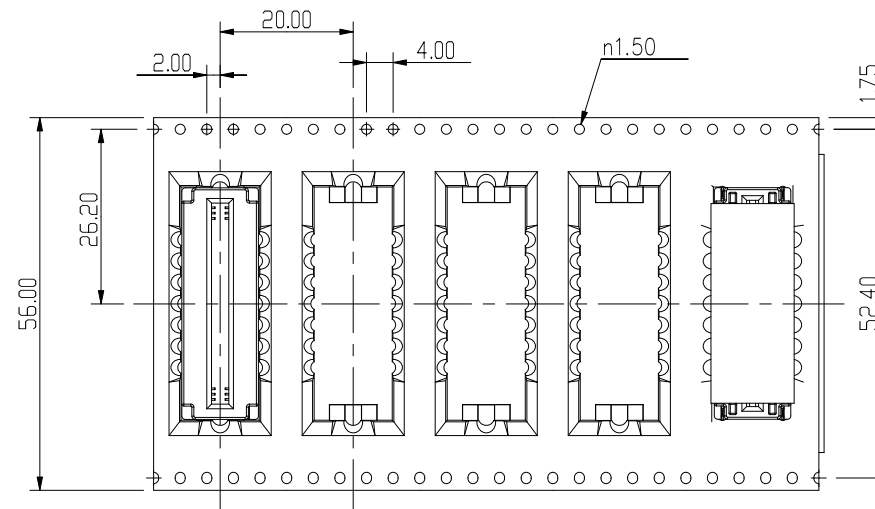
PIN 1 ~ PIN 8 POWER IN AND OUT  
 PIN 9 ~ PIN 12 SIDEBAND  
 PIN13 ~ PIN 148 DIFF PAIR HIGH SPEED

NOTE:  
 1. THIS MARK LINE TO SHOW THE AIC INSERT COMPLETELY WHEN IT COLOSED CONNECTOR SURFACE  
 2. RECOMMENDED USING SOLDMASK TO COVER THE TRACE AND VIA

|  |            |      |                   |                |  |                  |                   |           |          |
|--|------------|------|-------------------|----------------|--|------------------|-------------------|-----------|----------|
| spec ref   | -          | dr   | CAT ZENG          | 2020/10/12     |  | scale            | 4:1               | size      | A3       |
| tolerance std  | ASME Y14.5 | eng  | CAT ZENG          | 2020/10/12     |  | ecn no           | -                 | rel level | RELEASED |
| TOLERANCES UNLESS OTHERWISE SPECIFIED<br>TOLERANCES UNLESS OTHERWISE SPECIFIED |            | rvwr | CAT ZENG          | 2020/10/12     |  | amphenol-icc.com |                   |           |          |
|  |            | appr | KP TAY            | 2024/04/02     |  |                  |                   |           |          |
| surface  | linear     | 0.X  | .30               | projection     | DOUBLE DENSITY COOL EDGE<br>0.80MM PITCH 148PIN VERTICAL | cat. no.         | C CED21148114101X |           |          |
|  | angular    | 0~   | .20<br>.10<br>.2~ | product family |  | -                | rev               | A         |          |
|  |            |      |                   |                |  | sheet 2 of 3     |                   |           |          |



UNREELING DIRECTION →



NOTE:  
 1. MATERIAL:PS BLACK  
 2. QTY: 170PCS/REEL  
 680PCS/CARTON

|               |  |       |          |            |                |                  |          |              |     |  |         |    |  |            |  |   |                             |          |
|---------------|--|-------|----------|------------|----------------|------------------|----------|--------------|-----|--|---------|----|--|------------|--|---|-----------------------------|----------|
| spec ref      | -  | dr    | CAT ZENG | 2020/10/12 |                | scale            | 4:1      | size         | A3  |  |         |    |  |            |  |   |                             |          |
| tolerance std | TOLERANCES UNLESS OTHERWISE SPECIFIED  | eng   | CAT ZENG | 2020/10/12 |                | ecn no           | -        |              |     |  |         |    |  |            |  |   |                             |          |
| ASME Y14.5    |  | rvwr  | CAT ZENG | 2020/10/12 |                | rel level        | RELEASED |              |     |  |         |    |  |            |  |   |                             |          |
|               |  | appr  | KP TAY   | 2024/04/02 |                | amphenol-icc.com |          |              |     |  |         |    |  |            |  |   |                             |          |
| surface       | <table border="1"> <tr> <td rowspan="3"> </td> <td rowspan="3">linear</td> <td>0.X</td> <td>1.0</td> </tr> <tr> <td>0.XX</td> <td>0.5</td> </tr> <tr> <td>0.XXX</td> <td>0.2</td> </tr> <tr> <td></td> <td>angular</td> <td>0~</td> <td></td> </tr> </table> |       | linear   | 0.X        | 1.0            | 0.XX             | 0.5      | 0.XXX        | 0.2 |  | angular | 0~ |  | projection |  | title<br>DOUBLE DENSITY COOL EDGE<br>0.80MM PITCH 148PIN VERTICAL | drg no<br>C CED21148114101X | rev<br>A |
|               | linear   |       |          | 0.X        | 1.0            |                  |          |              |     |  |         |    |  |            |  |   |                             |          |
|               |  |       |          | 0.XX       | 0.5            |                  |          |              |     |  |         |    |  |            |  |   |                             |          |
|               |  | 0.XXX | 0.2      |            |                |                  |          |              |     |  |         |    |  |            |  |   |                             |          |
|               | angular  | 0~    |          |            |                |                  |          |              |     |  |         |    |  |            |  |   |                             |          |
|               |  |       |          |            | product family | -                | cat. no. | sheet 3 of 3 |     |  |         |    |  |            |  |   |                             |          |