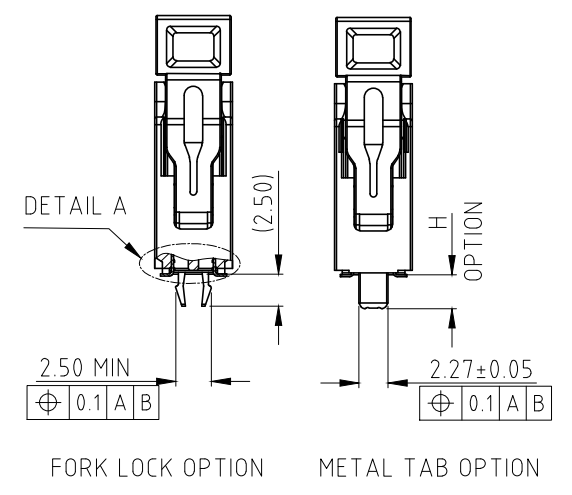
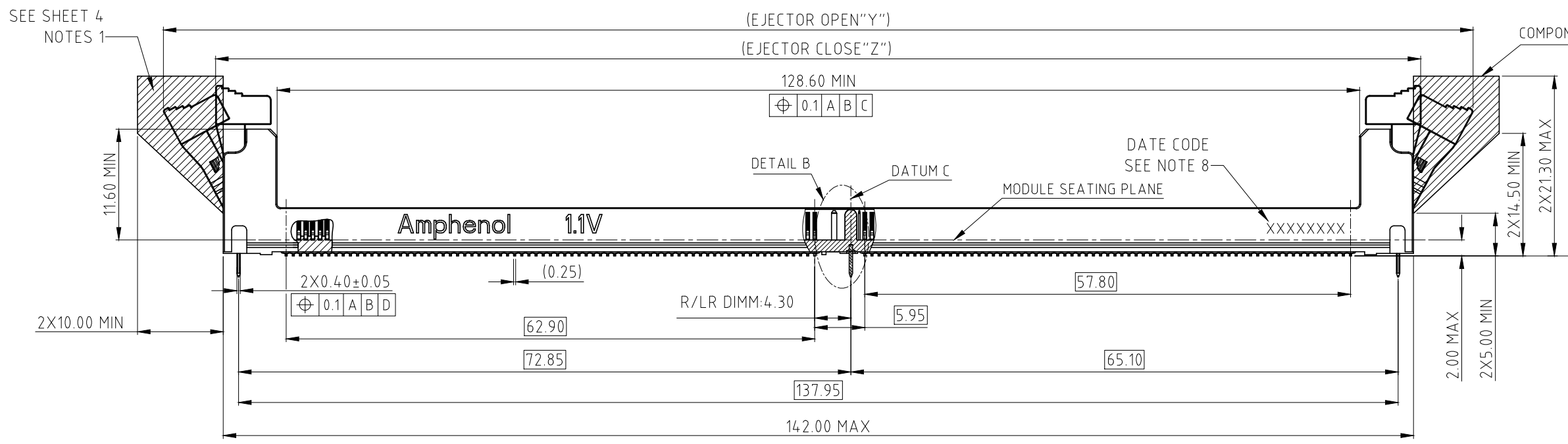
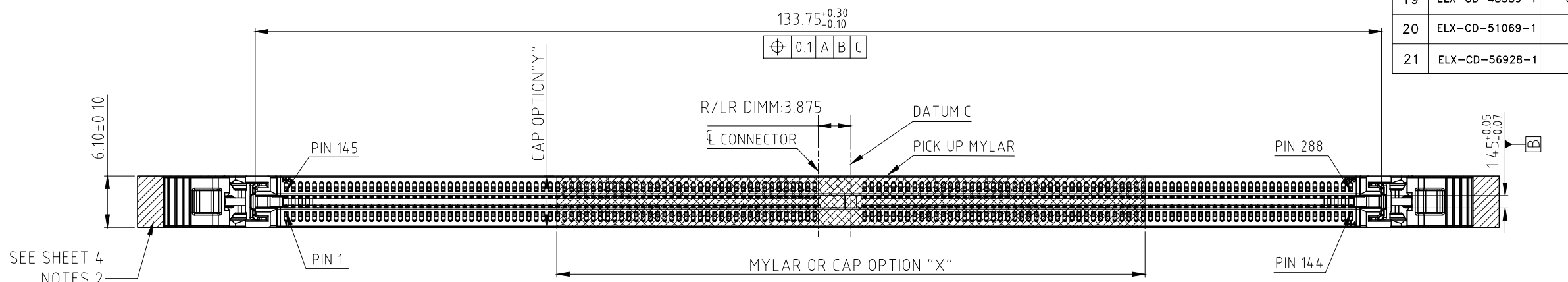


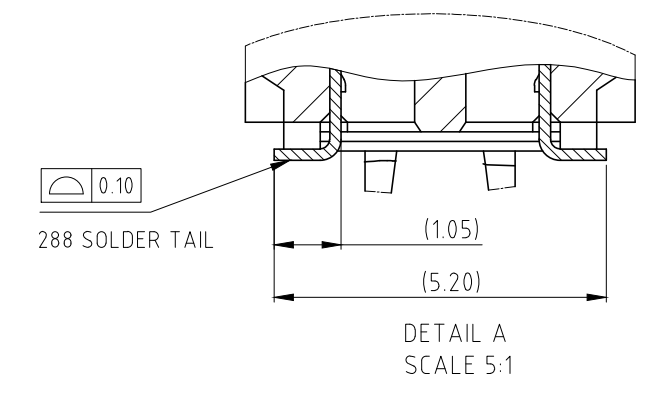
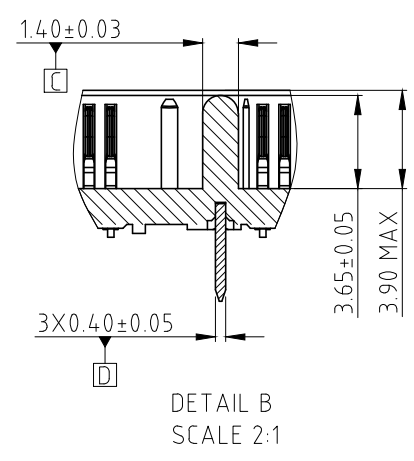
This document is the property of Amphenol Corporation and is delivered on the express condition that it is not to be disclosed, reproduced or used, in whole or in part, for manufacture or sale by anyone other than Amphenol Corporation without its prior consent, & that no right is granted to disclose or to use any information in this document.

CUSTOMER DRAWING

REVISIONS				
SYM	ECN	DESCRIPTION	DATE	APPROVED
18	ELX-CD-44629-1	ADD 123.6MM MYLAR OPTION	May.05,2022	YH
19	ELX-CD-48589-1	CHANGE 40MM LENGTH MYLAR TO 50MM	Oct.26,2023	YH
20	ELX-CD-51069-1	ADD "9" COLOR OPTION	Mar.27,2024	YH
21	ELX-CD-56928-1	TRAY ADD POKA-YOKE BOSS	Aug.25,2025	YH



ITEM	EJECTOR OPEN DIMENSION "Y"	EJECTOR CLOSE DIMENSION "Z"	EJECTOR FIGURE
STANDARD LATCH	156.00 MAX	144.00 MAX	



UNLESS OTHERWISE SPECIFIED TOLERANCES	
U.S.	METRIC
.X +/-	0.35
.XX +/-	0.25
.XXX +/-	0.15
FRACTIONS +/-	
ANGLES +/-	3°

APPROVAL		DATE
DRAWN	Aaron.Cao	Aug.25,2025
CHECKED		
CHECKED		

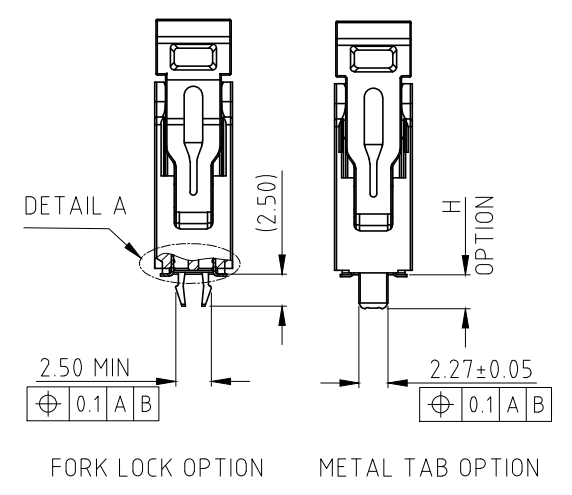
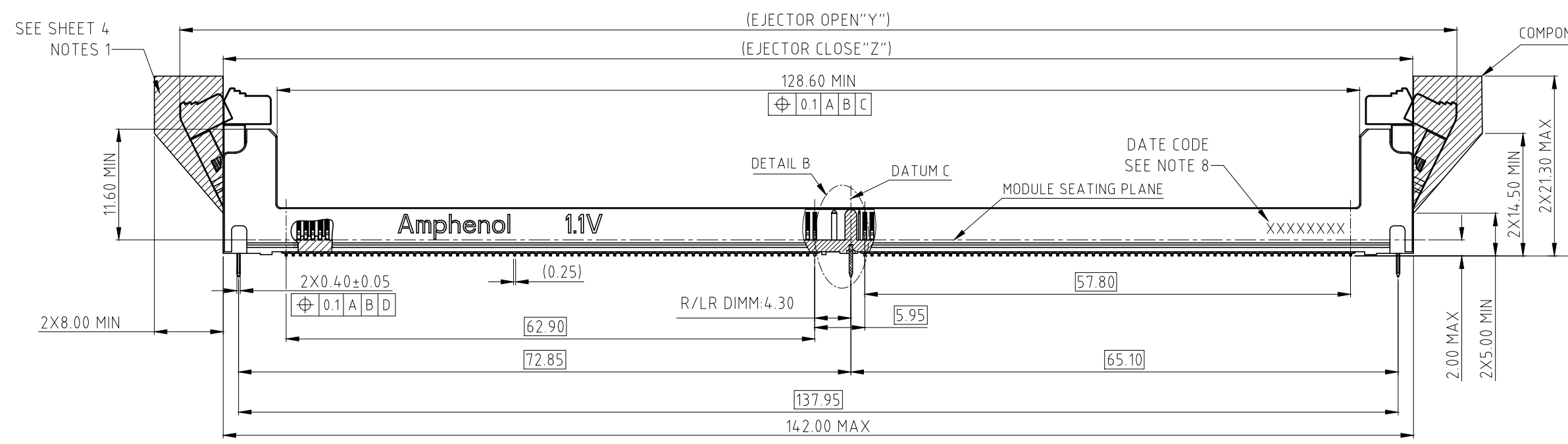
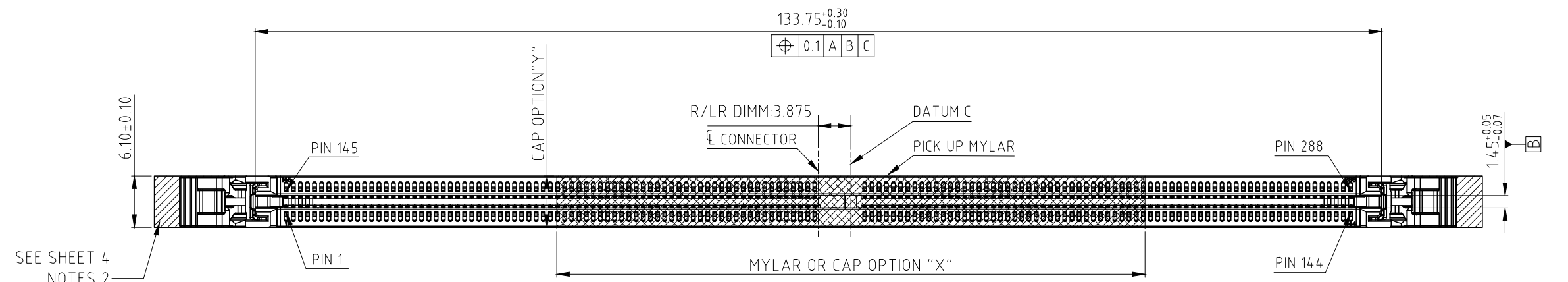
Amphenol		
TITLE DDR5 288P R/LR DIMM CONNECTOR		
SIZE A3	DRAWING NO. C DDR5-04-X-X-X-XXX-X-X	REV. 21
SCALE NONE	SHEET 1 OF 6	

FOR MATERIALS AND FINISHES SEE NOTES	
REMOVE SHARP EDGES	ANGLE OF PROJECTION
DIMENSIONS	
U.S. INCHES	
(METRIC) (MM)	

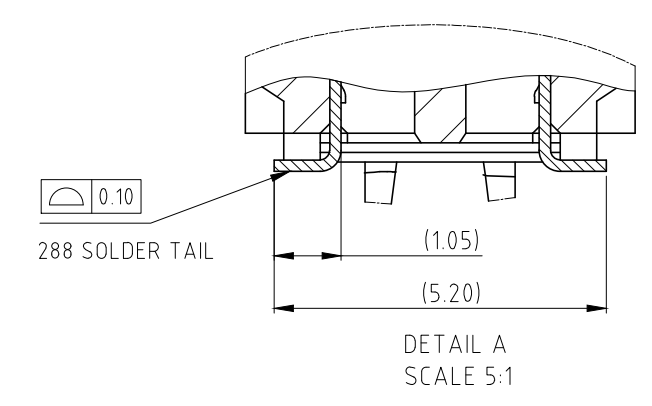
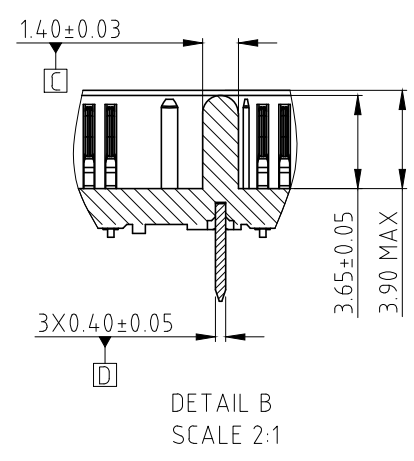
This document is the property of Amphenol Corporation and is delivered on the express condition that it is not to be disclosed, reproduced or used, in whole or in part, for manufacture or sale by anyone other than Amphenol Corporation without its prior consent, & that no right is granted to disclose or to use any information in this document.

CUSTOMER DRAWING

REVISIONS				
SYM	ECN	DESCRIPTION	DATE	APPROVED
		SEE SHEET 1		



ITEM	EJECTOR OPEN DIMENSION "Y"	EJECTOR CLOSE DIMENSION "Z"	EJECTOR FIGURE
SHORT LATCH	152.00 MAX	142.00 MAX	



UNLESS OTHERWISE SPECIFIED TOLERANCES

	U.S.	METRIC
.X	+/-	0.35
.XX	+/-	0.25
.XXX	+/-	0.15
FRACTIONS	+/-	
ANGLES	+/-	3°

FOR MATERIALS AND FINISHES SEE NOTES

REMOVE SHARP EDGES

DIMENSIONS

U.S.	INCHES	METRIC	MM
—		—	

APPROVAL		DATE
DRAWN	Aaron.Cao	Aug.25,2025
CHECKED		
CHECKED		

DRAWING FILE : DRAWING\DDR\DDR504XXXXXXX

ANGLE OF PROJECTION

Amphenol		
TITLE		
DDR5 288P R/LR DIMM CONNECTOR		
SIZE	DRAWING NO.	REV.
A3	C DDR5-04-X-X-X-XXX-X-X	21
SCALE	NONE	SHEET 2 OF 6

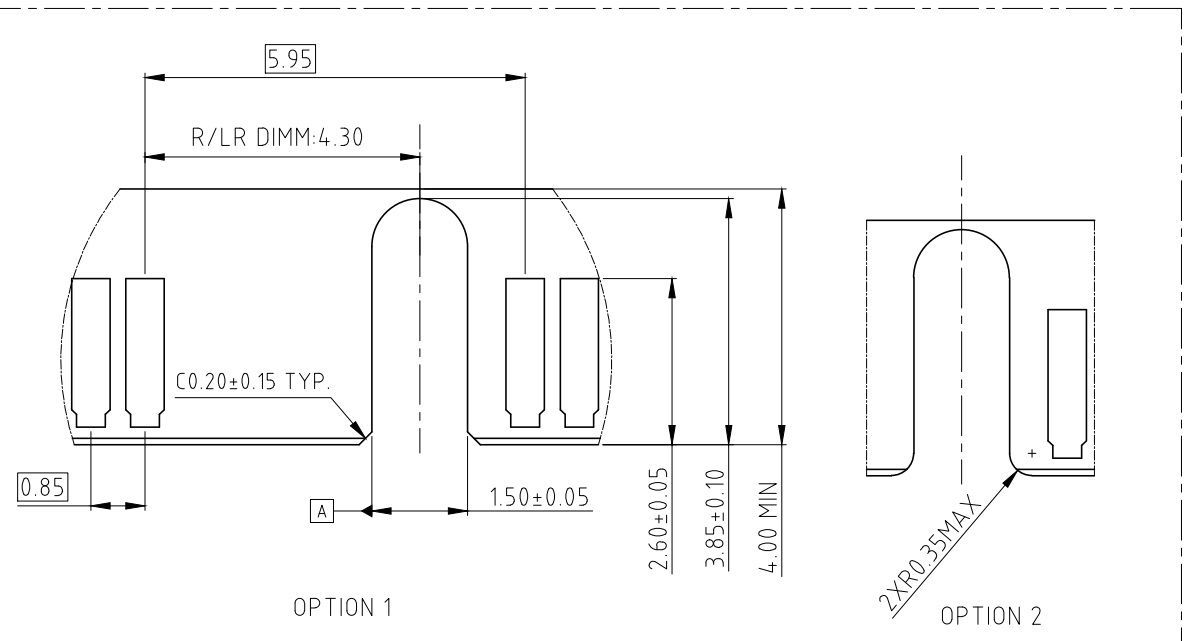
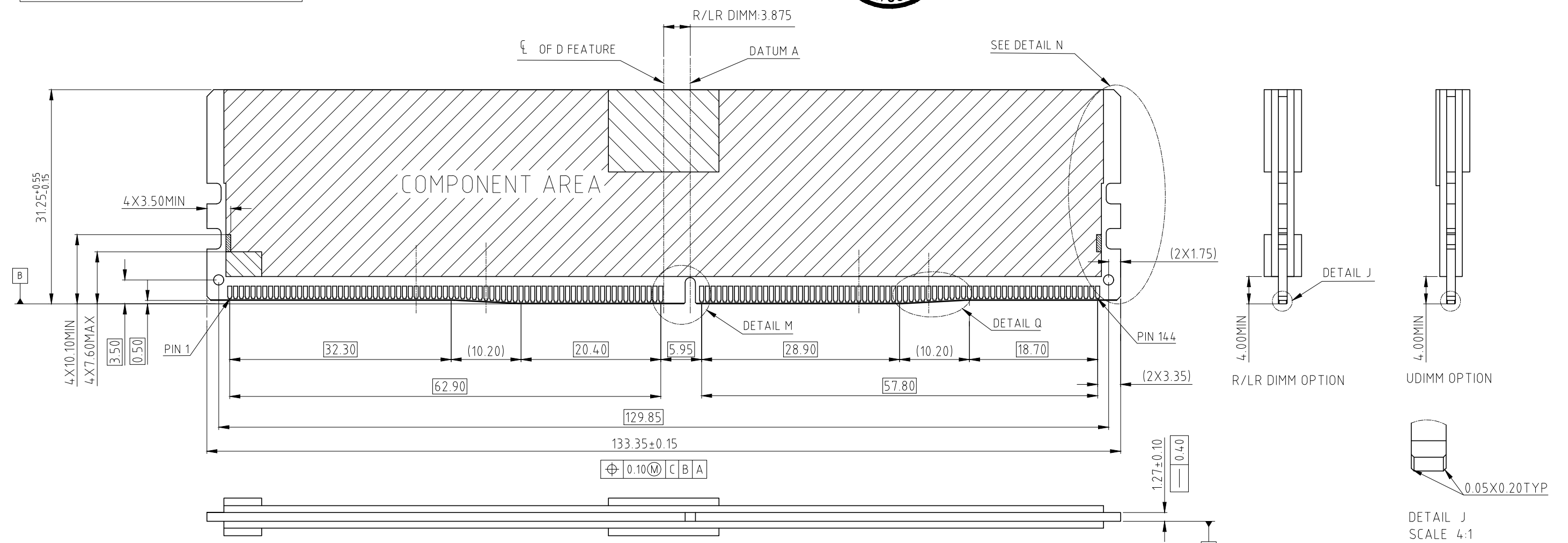
This document is the property of Amphenol Corporation and is delivered on the express condition that it is not to be disclosed, reproduced or used, in whole or in part, for manufacture or sale by anyone other than Amphenol Corporation without its prior consent, & that no right is granted to disclose or to use any information in this document.

CUSTOMER DRAWING

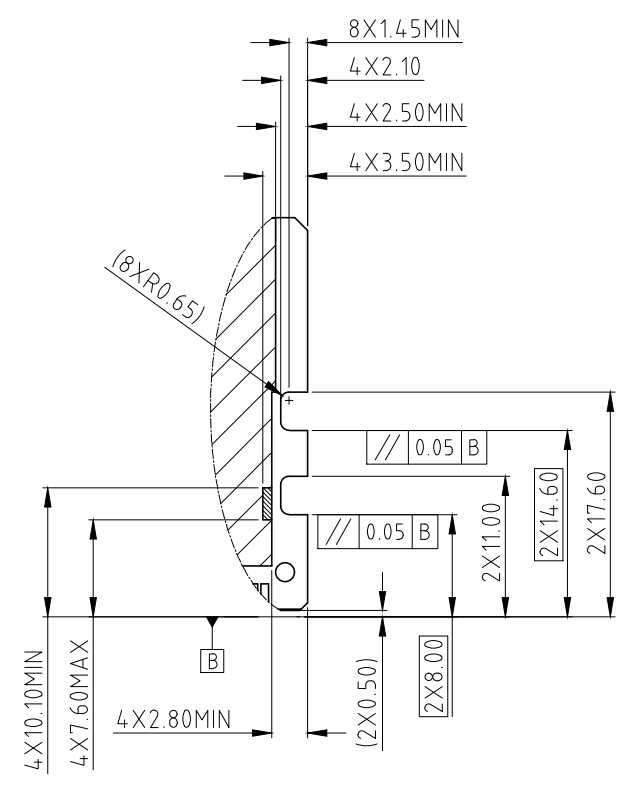


REVISIONS				
SYM	ECN	DESCRIPTION	DATE	APPROVED
		SEE SHEET1		

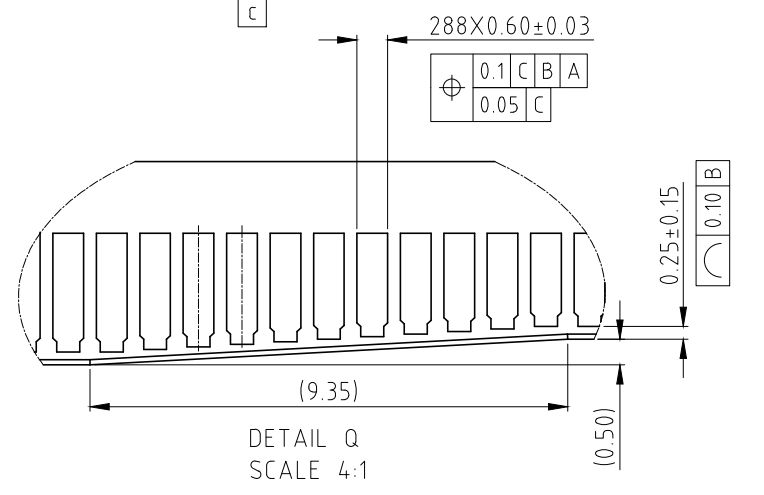
DDR5 MODULE
MORE INFORMATION REFER TO JEDEC MO-329



DETAIL M
SCALE 5:1



DETAIL N
SCALE 1:1



DETAIL Q
SCALE 4:1

UNLESS OTHERWISE SPECIFIED TOLERANCES

	U.S.	METRIC
.X +/-		0.35
.XX +/-		0.25
.XXX +/-		0.15
FRACTIONS +/-		
ANGLES +/-		3°

FOR MATERIALS AND FINISHES SEE NOTES

REMOVE SHARP EDGES

DIMENSIONS

U.S.	INCHES
(METRIC)	(MM)

APPROVAL		DATE
DRAWN	Aaron.Cao	Aug.25,2025
CHECKED		
CHECKED		

DRAWING FILE : DRAWING\DDR\DDR504XXXXXXX

ANGLE OF PROJECTION

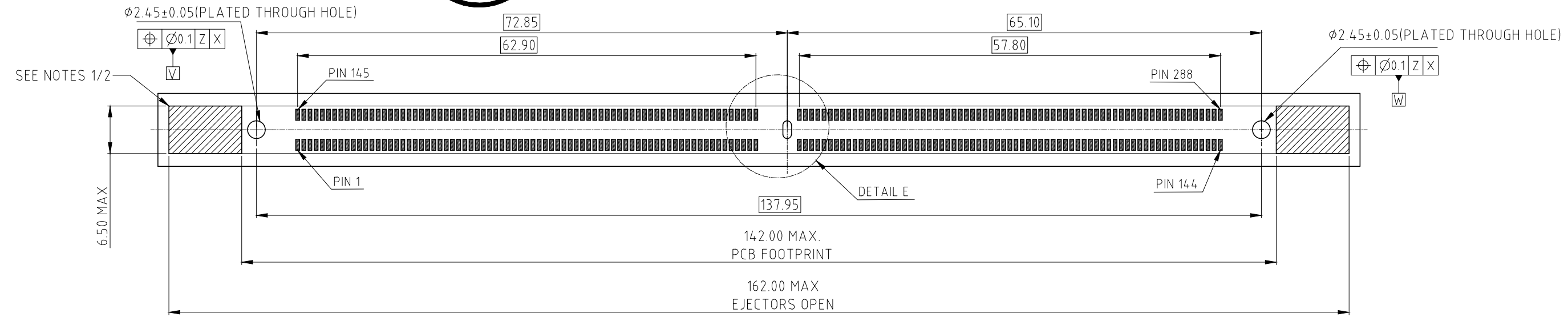
Amphenol		
TITLE		
DDR5 288P R/LR DIMM CONNECTOR		
SIZE	DRAWING NO.	REV.
A3 C	DDR5-04-X-X-X-XXX-X-X	21
SCALE	NONE	SHEET 3 OF 6

This document is the property of Amphenol Corporation and is delivered on the express condition that it is not to be disclosed, reproduced or used, in whole or in part, for manufacture or sale by anyone other than Amphenol Corporation without its prior consent, & that no right is granted to disclose or to use any information in this document.

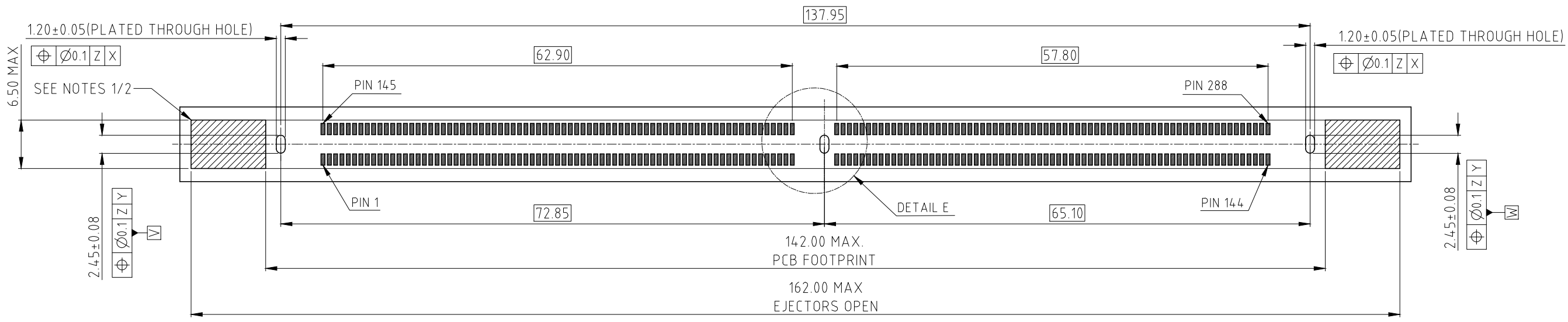


CUSTOMER DRAWING

REVISIONS				
SYM	ECN	DESCRIPTION	DATE	APPROVED
		SEE SHEET1		



RECOMMENDED PCB FOOTPRINT (OPTION 1)

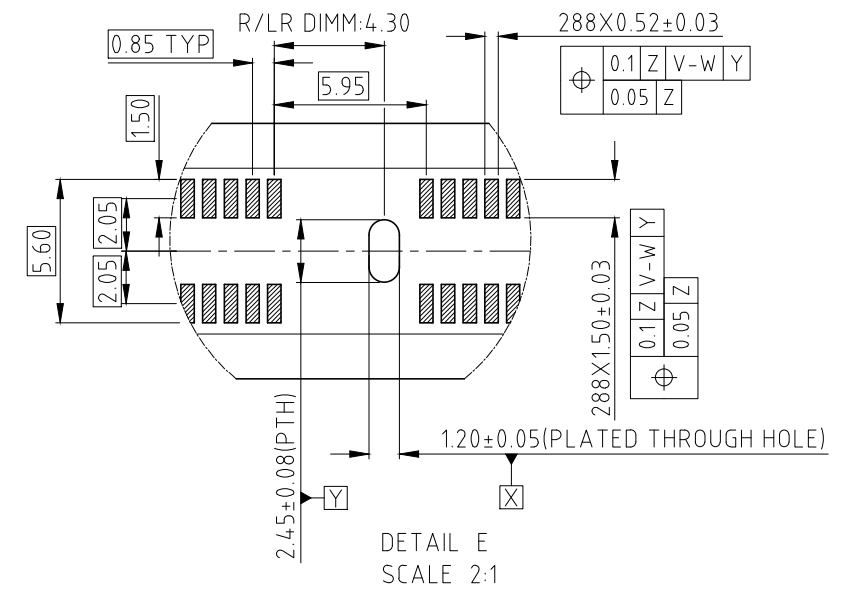


RECOMMENDED PCB FOOTPRINT (OPTION 2)

- ADDITIONAL NOTES:
- KEEP OUT CROSS HATCH IS RESERVED FOR SOCKET EJECTORS AT BOTH ENDS.
 - KEEP OUT ZONE IS HEIGHT LIMITED PER NOTE 1.
 - RECOMMENDED STENCIL THICKNESS:

REFLOW CONDITION	THICKNESS OF STENCIL
AIR	0.18MM MIN
NITROGEN	0.18MM MIN
REWORK	0.20MM MIN

RECOMMENDED PCB LAYOUT
MORE INFORMATION REFER TO JEDEC S0-023



DETAIL E
SCALE 2:1

UNLESS OTHERWISE SPECIFIED TOLERANCES

	U.S.	METRIC
.X +/-		0.35
.XX +/-		0.25
.XXX +/-		0.15
FRACTIONS +/-		
ANGLES +/-		3°

FOR MATERIALS AND FINISHES SEE NOTES

REMOVE SHARP EDGES

DIMENSIONS

U.S.	INCHES
(METRIC)	(MM)

APPROVAL		DATE
DRAWN	Aaron.Cao	Aug.25,2025
CHECKED		
CHECKED		

DRAWING FILE :
DRAWING\DDR\DDR504XXXXXXX

ANGLE OF PROJECTION

Amphenol

TITLE: **DDR5 288P R/LR DIMM CONNECTOR**

SIZE	DRAWING NO.	REV.
A3	C DDR5-04-X-X-X-XXX-X-X	21

SCALE: NONE SHEET 4 OF 6

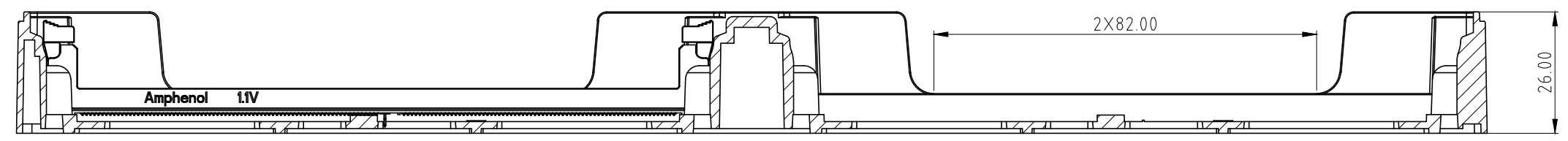
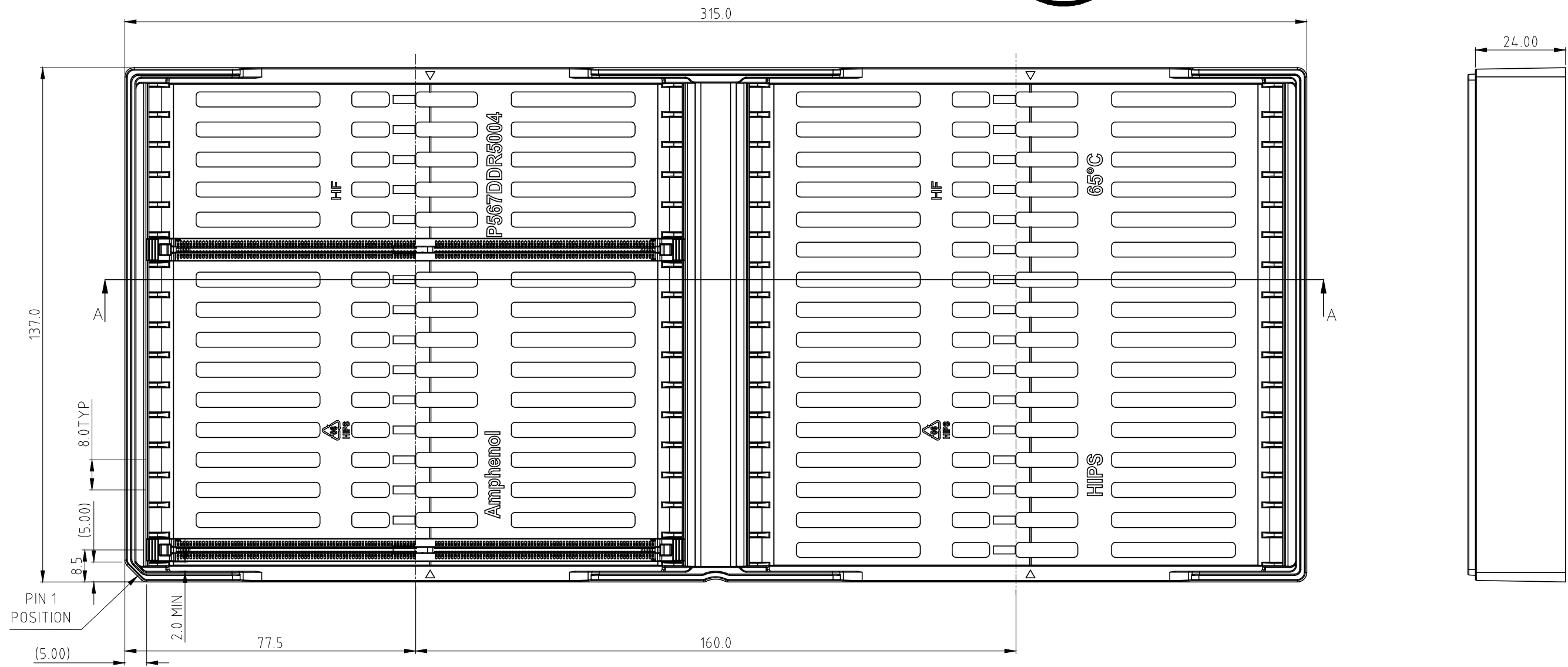
This document is the property of Amphenol Corporation and is delivered on the express condition that it is not to be disclosed, reproduced or used, in whole or in part, for manufacture or sale by anyone other than Amphenol Corporation without its prior consent, & that no right is granted to disclose or to use any information in this document.

CUSTOMER DRAWING

REVISIONS				
SYM	ECN	DESCRIPTION	DATE	APPROVED
		SEE SHEET 1		



PACKING TRAY DRAWING



SECTION A-A

- NOTES:
 1. MATERIAL: HIPS, BLACK
 2. QUANTITY: 32PCS/TRAY

UNLESS OTHERWISE SPECIFIED TOLERANCES

	U.S.	METRIC
.X	+/-	0.35
.XX	+/-	0.25
.XXX	+/-	0.15
FRACTIONS	+/-	
ANGLES	+/-	3°

FOR MATERIALS AND FINISHES SEE NOTES

REMOVE SHARP EDGES

DIMENSIONS

U.S.	INCHES
(METRIC)	(MM)

APPROVAL		DATE
DRAWN	Aaron.Cao	Aug.25,2025
CHECKED		
CHECKED		
DRAWING FILE : DRAWING\DDR\DDR504XXXXXXX		
ANGLE OF PROJECTION		

Amphenol		
SIZE A3	DRAWING NO. C DDR5-04-X-X-X-XXX-X-X	REV. 21
SCALE NONE	SHEET 5 OF 6	

This document is the property of Amphenol Corporation and is delivered on the express condition that it is not to be disclosed, reproduced or used, in whole or in part, for manufacture or sale by anyone other than Amphenol Corporation without its prior consent, & that no right is granted to disclose or to use any information in this document.

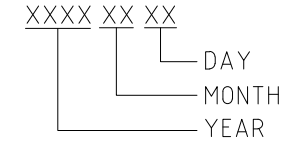
CUSTOMER DRAWING

NOTES:

1. MATERIAL:
 - 1.1 HOUSING: HIGH TEMPERATURE THERMAL PLASTIC, UL94V-0, COLOR:OPTION.
 - 1.2 LATCH: HIGH TEMPERATURE THERMAL PLASTIC, UL94V-0, COLOR: OPTION.
 - 1.3 TERMINAL: COPPER ALLOY.
 - 1.4 BOARDLOCK: COPPER ALLOY.
 - 1.5 METAL CLIP: SUS.
2. FINISH:
 - 2.1 TERMINAL:
 - 2.1.1 CONTACT AREA: SELECTED GOLD PLATING;
 - 2.1.2 SOLDERING AREA: MATTE TIN PLATING 100u" THICKNESS MIN; UNDER PLATING: NICKEL PLATING 50u" THICKNESS MIN. UNLESS OTHERWISE SPECIFIED
 - 2.2 BOARDLOCK:
 - 2.2.1 100u" MIN LEAD FREE MATTE TIN OVER 50u" MIN NICKEL UNDERPLATED OVERALL.
3. ELECTRICAL CHARACTERISTICS:
 - 3.1 CONTACT CURRENT RATING:1.0A MAX
 - 3.2 INSULATION RESISTANCE:1MΩ MIN. 500V DC.
 - 3.3 DIELECTRIC WITHSTANDING VOLTAGE:500 VAC AT SEA LEVEL.
 - 3.4 LOW LEVEL CONTACT RESISTANCE:
 - INITIAL:4.0mΩ MAX.
 - FINAL:THE CHANGE IN LLCR BETWEEN THE READING AFTER STRESS AND THE INITIAL READING SHALL NOT EXCEED 20 mΩ MAX.
4. MECHANICAL CHARACTERISTICS:
 - 4.1 CONTACT RETENTION FORCE:300gF MIN/PER PIN.
 - 4.2 DURABILITY:25 CYCLES.
 - 4.3 INSERTION FORCE (MODULE TO CONNECTOR) :106.8N MAX. UNMATING FORCE :19.77N MIN.
5. RELIABILITY AND OTHER CHARACTERISTICS:
 - 5.1 SOLDERABILITY -LEAD FREE: JESD22-B102; CONDITION C, 8 HOURS ±15 MINUTES STEAM PRECONDITION.
 - 5.2 VIBRATION: EIA-364-28, RANDOM PROFILE:
 - 5 HZ @ 0.01 g²/HZ TO 20HZ @ 0.02g²/HZ (SLOPE UP), 20 HZ TO 500HZ @ 0.02g²/HZ (FLAT), INPUT ACCELERATION IS 3.13g RMS.
 - 5.3 CYCLIC TEMPERATURE AND HUMIDITY: PER EIA-364-31, METHOD III WITHOUT CONDITIONING, INITIAL MEASUREMENTS, COLD SHOCK AND VIBRATION.
 - 5.4 THERMAL SHOCK: PASSED PER EIA-364-32, METHOD A, TABLE 2, TEST CONDITION 1, -55°C TO 85°C. PERFORM 5 CYCLES IN MATED CONDITION.
 - 5.5 MECHANICAL SHOCK: EIA-364-27, TEST CONDITION E,
 - 5.6 OPERATING TEMPERATURE: -55°C TO 85°C.
6. HALOGEN-FREE COMPLIANT PRODUCT. MEET AMPHENOL SPEC # S-SN-004.
7. ORDER PN SYSTEM:



8. LASER MARKING DATE CODE:



DDR5 XX X X X XXX X X

DOUBLE DATA RATE 5 SERIES

XX: APPLICATION TYPE
04: SMT,288P, R/LR DIMM CONNECTOR

X: HOUSING COLOR
1: BLACK
2: NATURAL (IVORY)
3: YELLOW
4: BLUE(PANTONE 2144C)
9: DARK BLUE (PANTONE 287C)

X: LATCH COLOR
1: BLACK
2: NATURAL (IVORY)
3: YELLOW
4: BLUE(PANTONE 2144C)
9: DARK BLUE (PANTONE 287C)

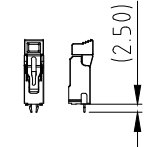
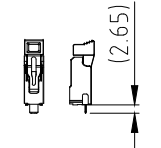
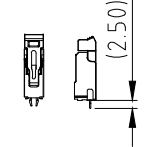
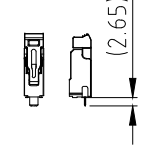
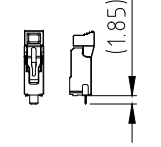
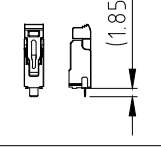
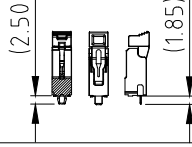
X: CUSTOMER CODE OPTION:
BLANK
0.....
9
A.....
Z

X: PACKING AND MYLAR OPTIONS
T: SOFT TRAY
H: HARD TRAY PACKAGE, WITH MYLAR "X"=50MM
J: HARD TRAY PACKAGE, WITH MYLAR "X"=70MM
K: HARD TRAY PACKAGE, WITHOUT MYLAR
M: HARD TRAY PACKAGE, WITH MYLAR "X"=90MM
C: HARD TRAY PACKAGE,WITH CAP "X"=70MM;"Y"=6MM
S: HARD TRAY PACKAGE, WITH MYLAR "X"=123.6MM

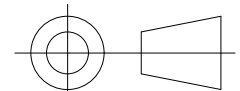
SEE SEQUENCE NUMBER TABLE

X: CONTACT PLATED
0: GOLD FLASH
1: 15u" Au ON CONTACT AREA
2: 30u" Au ON CONTACT AREA
3: 15 GXT
4: 30 GXT
5: 15u" Au ON CONTACT AREA AND 90u" Ni MIN ON UNDERPLATING:
6: 30u" Au ON CONTACT AREA AND 90u" Ni MIN ON UNDERPLATING:
8: 18u" AU ON CONTACT AREA

REVISIONS				
SYM	ECN	DESCRIPTION	DATE	APPROVED
		SEE SHEET1		

SEQUENCE NUMBER		
CODE	OPTION DESCRIPTION	FIGURE DIM "H"
001	1. STANDARD HOUSING 2. STANDARD LATCH 3. FORK LOCK	 (2.50)
002	1. STANDARD HOUSING 2. STANDARD LATCH 3. METAL TAB	 (2.65)
005	1. STANDARD HOUSING 2. SHORT LATCH 3. FORK LOCK	 (2.50)
006	1. STANDARD HOUSING 2. SHORT LATCH 3. METAL TAB	 (2.65)
007	1. STANDARD HOUSING 2. STANDARD LATCH 3. METAL TAB	 (1.85)
008	1. STANDARD HOUSING 2. SHORT LATCH 3. METAL TAB	 (1.85)
009	1. STANDARD HOUSING 2. STANDARD LATCH 3. ONE FORK LOCK IN MIDDLE, TWO TABS ON BOTH SIDES	 (2.50) (1.85)
.....		

UNLESS OTHERWISE SPECIFIED TOLERANCES	
U.S.	METRIC
.X +/-	0.35
.XX +/-	0.25
.XXX +/-	0.15
FRACTIONS +/-	
ANGLES +/-	3°
FOR MATERIALS AND FINISHES SEE NOTES	
REMOVE SHARP EDGES	
DIMENSIONS	
U.S.	INCHES
(METRIC)	(MM)

APPROVAL		DATE
DRAWN	Aaron.Cao	Aug.25,2025
CHECKED		
CHECKED		
DRAWING FILE : DRAWING\DDR\DDR504XXXXXXX		
ANGLE OF PROJECTION		
		

Amphenol		
TITLE		
DDR5 288P R/LR DIMM CONNECTOR		
SIZE	DRAWING NO.	REV.
A3	C DDR5-04-X-X-X-XXX-X-X	21
SCALE	NONE	SHEET 6 OF 6