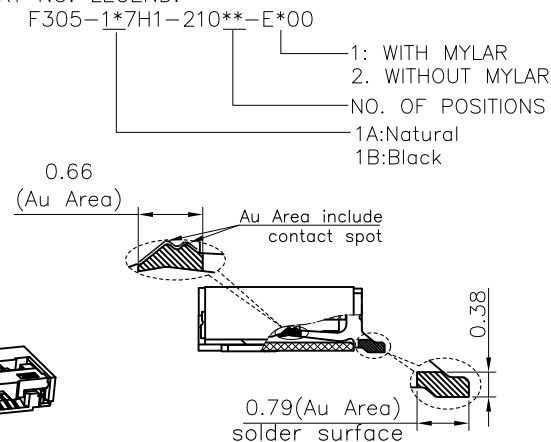
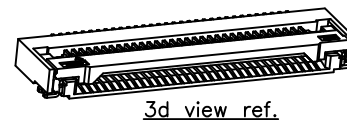
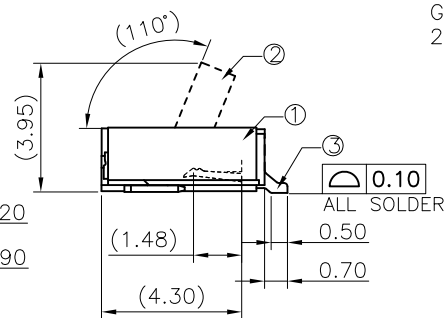
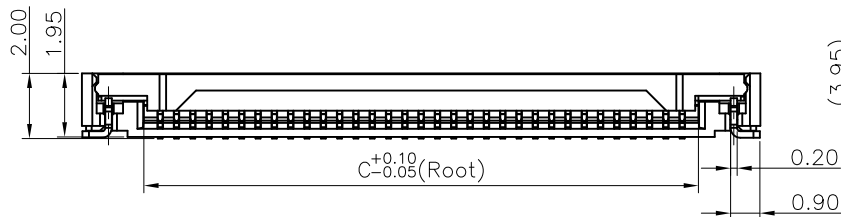
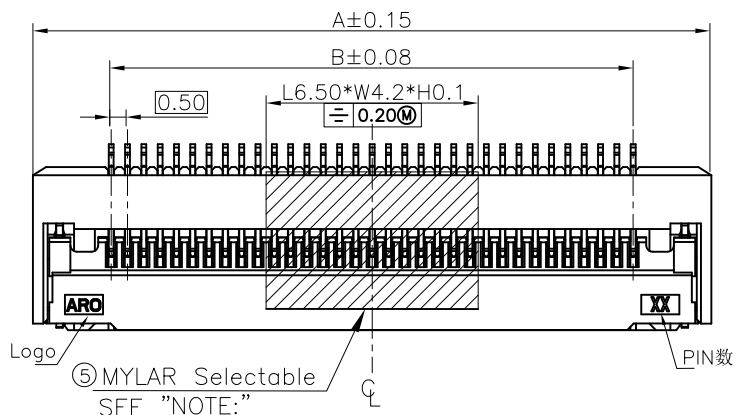


Halogen free

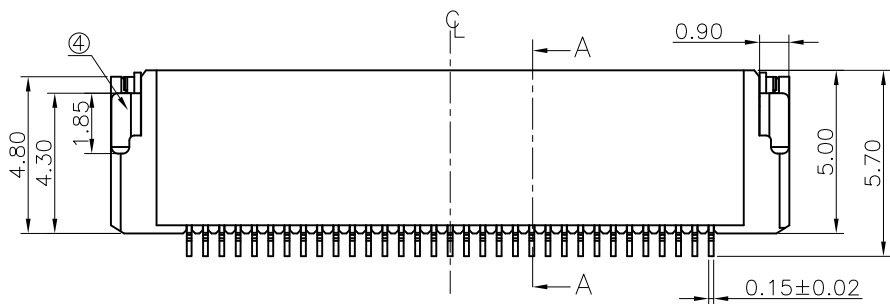


文件发行
2020.08.31
Aorora

REV.	ECR/ECN No.	DESCRIPTION	DRAWN/DATE	CHECKED/DATE	APPROVED/DATE
A	/	New version	May 2017-08-01	Rain 2017-08-01	Hongkui.Liu 2017-08-01
B	/	Add new PIN number	May 2017-10-26	Rain 2017-10-26	Hongkui.Liu 2017-10-26
C	/	Update the drawing frame	May 2020-07-10	Rain 2020-07-10	Hongkui.Liu 2020-07-10

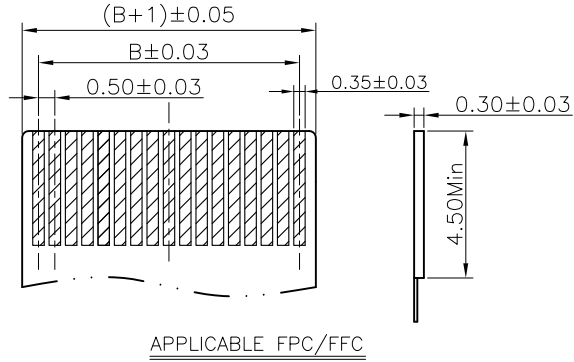
NO.	COMPONENTS	MATERIALS	FINISH/COLOR SPECIFICATION	QTY
1	HOUSING	LCP,UL94V-0	Natural or Black	1
2	ACTUATOR	PA9T,UL94V-0	Black	1
3	TERMINAL	PHOSPHOR BRONZE T=0.15mm	UNDER PLATING:1~3μm Ni SURFACE PLATING: Contact Area:0.075~0.125μm Min. Au	N
4	STATOR	BRASS,C2680-H T=0.20mm	UNDER PLATING:1~3μm Ni SURFACE PLATING:2~5μm Sn	2
5	MYLAR	T=0.10mm THERMOSTABLE	yellow	1

NOTE:
1.ALL MATERIAL MUST BE COMPLY WITH GGP-001/OR/RoHS.
2.PART NO. LEGEND:
F305-1*7H1-210**-E*00



UNLESS OTHERWISE SPECIFIED TOLERANCES				ANGLE OF PROJECTION		Amphenol AORORA	
X.	±0.30	X. °	± 5'			Amphenol Aorora Technology (Huizhou) Co.,Ltd	
X.X	±0.25	X.X °	± 4'				
X.XX	±0.20	X.XX °	± 3'			TITLE: FFC/FPC P0.50 H2.0 front side filp_"L" type fixed plate	
X.XXX	±0.15	X.XXX °	± 2'				
LINEAR DIMS		ANGLES DIMS		DOC TYP	Customer Drw		
DWG NO.: A-S0462		MATERIAL		DRAWN DATE	May 2019-11-28	SIZE	PART NUMBER:
FINISHED		SEE NOTES		DESIGN DATE	May 2019-11-28	A4	F305-1*7H1-210**-E*00
MATERIAL		SEE NOTES		CHECKED DATE	Rain 2019-11-28	REV.	C
MATERIAL		SEE NOTES		APPROVED DATE	Hongkui.Liu 2019-11-28	SCALE	5:1
						UNIT	mm
						SHEET 1 OF 3	

1. FFC PATTERN DIMENSION

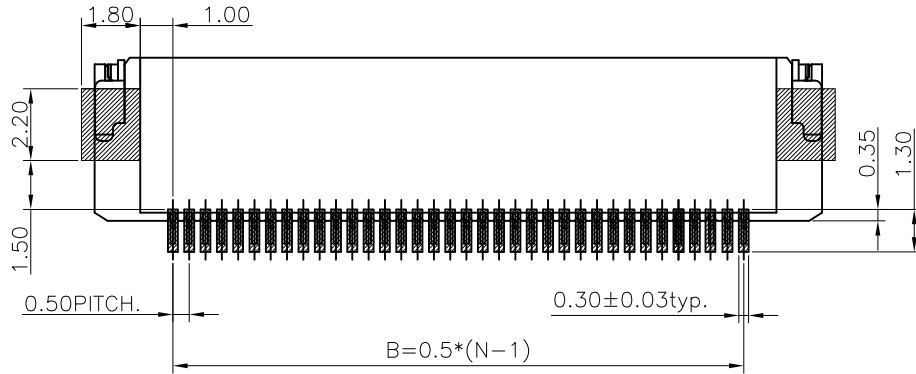


Halogen free


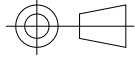
①B DIMENSION LIST:

PIN No.of	A	B	C	PIN No.of	A	B	C
04	6.30	1.50	2.50	33	20.80	16.00	17.00
05	6.80	2.00	3.00	34	21.30	16.50	17.50
06	7.30	2.50	3.50	35	21.80	17.00	18.00
07	7.80	3.00	4.00	36	22.30	17.50	18.50
08	8.30	3.50	4.50	37	22.80	18.00	19.00
09	8.80	4.00	5.00	38	23.30	18.50	19.50
10	9.30	4.50	5.50	39	23.80	19.00	20.00
11	9.80	5.00	6.00	40	24.30	19.50	20.50
12	10.30	5.50	6.50	41	24.80	20.00	21.00
13	10.80	6.00	7.00	42	25.30	20.50	21.50
14	11.30	6.50	7.50	43	25.80	21.00	22.00
15	11.80	7.00	8.00	44	26.30	21.50	22.50
16	12.30	7.50	8.50	45	26.80	22.00	23.00
17	12.80	8.00	9.00	46	27.30	22.50	23.50
18	13.30	8.50	9.50	47	27.80	23.00	24.00
19	13.80	9.00	10.00	48	28.30	23.50	24.50
20	14.30	9.50	10.50	49	28.80	24.00	25.00
21	14.80	10.00	11.00	50	29.30	24.50	25.50
22	15.30	10.50	11.50	51	29.80	25.00	26.00
23	15.80	11.00	12.00	52	30.30	25.50	26.50
24	16.30	11.50	12.50	53	30.80	26.00	27.00
25	16.80	12.00	13.00	54	31.30	26.50	27.50
26	17.30	12.50	13.50	55	31.80	27.00	28.00
27	17.80	13.00	14.00	56	32.30	27.50	28.50
28	18.30	13.50	14.50	57	32.80	28.00	29.00
29	18.80	14.00	15.00	58	33.30	28.50	29.50
30	19.30	14.50	15.50	59	33.80	29.00	30.00
31	19.80	15.00	16.00	60	34.30	29.50	30.50
32	20.30	15.50	16.50				

2. P.C.B LAYOUT, TOL:±0.05



RECOMMEND PCB LAYOUT;TOL:±0.05

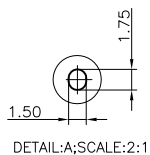
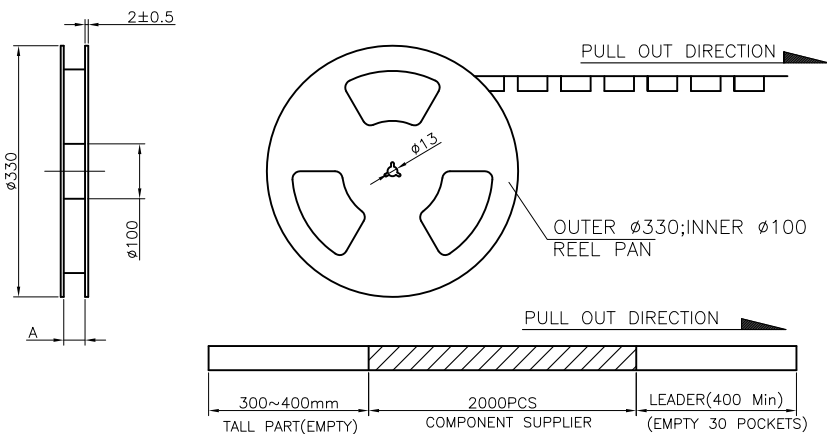
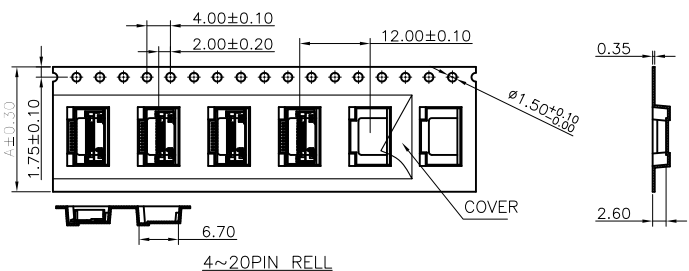
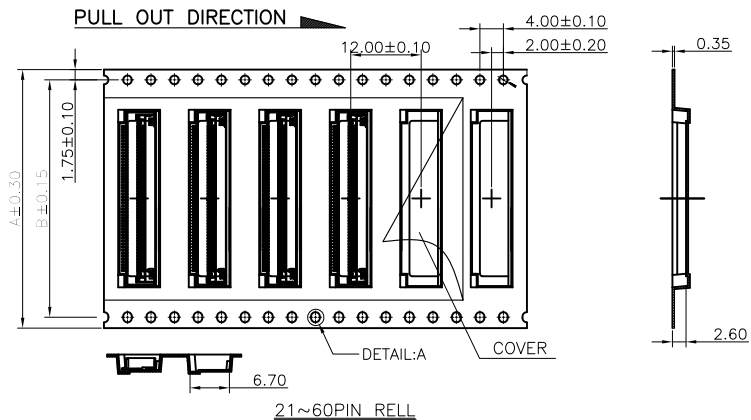
UNLESS OTHERWISE SPECIFIED TOLERANCES		ANGLE OF PROJECTION		 Amphenol Aorora Technology (Huizhou) Co.,Ltd	
X.	±0.30	X. '	± 5'		DOC TYP Customer Drw TITLE: FFC/FPC P0.50 H2.0 front side filp_"L" type fixed plate
X.X	±0.25	X.X '	± 4'		
X.XX	±0.20	X.XX '	± 3'	DRAWN DATE May 2019-11-28	SIZE PART NUMBER: F305-1*7H1-210**-E*00 REV. C
X.XXX	±0.15	X.XXX '	± 2'	DESIGN DATE May 2019-11-28	
LINEAR DIMS		ANGLES DIMS		CHECKED DATE Rain 2019-11-28	SCALE 5:1 UNIT: mm SHEET 2 OF 3
DWG NO.: A-S0462				APPROVED DATE Hongkui.Liu 2019-11-28	
MATERIAL SEE NOTES					
FINISHED SEE NOTES					

文件发行
2020.08.31
Aorora

This document is the property of and embodies CONFIDENTIAL and PROPRIETARY information of AOR. No part of the information shown on this document may be used in any way or disclosed to others without the written consent of AOR. © 2019 AOR

Amphenol AORORA

1. PACKING INTO REEL:

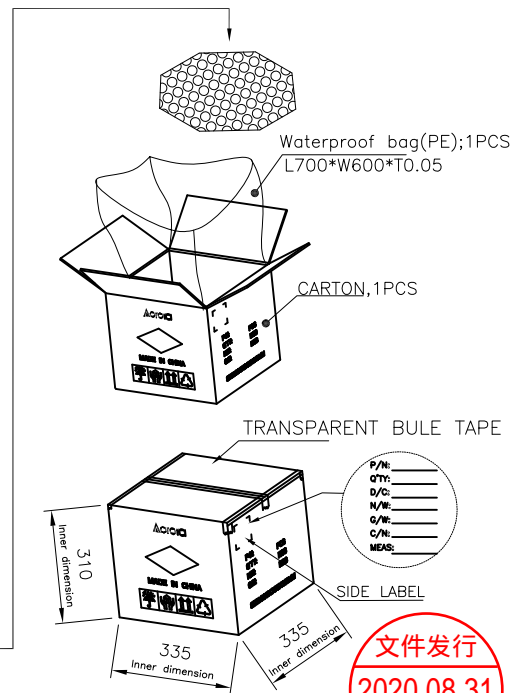
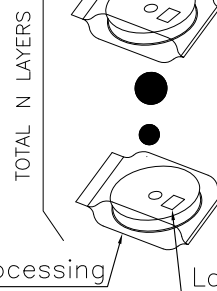
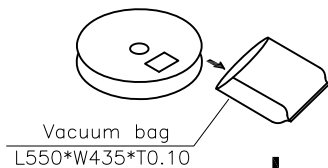
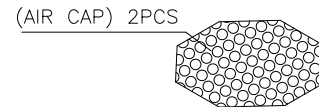


NOTES:

- MATERIAL:
 - CARRY TAPE:HIPS,T=0.35±0.05mm,CLEAR
 - REEL:HIPS,
 - SHIM:PE,CLEAR.
- PRIMARY PACKING:2000PCS/REEL.
- SECONDARY PACKING:SEE PACKING LIST
- PEELING RESISTANCE: 0.1~0.7N(10~70gf); PEELING ANGLE: 165°~180°; PEELING SPEED: 300mm/minutes.
- QTY. LIST:

NO. OF POS.	A	B	PCS/盘	N盘/箱 (TOL:PCS)
4~8PIN	16.0		2000	15盘(30000PCS)
9~20 PIN	24.0	20.4	2000	11盘(22000PCS)
21~34 PIN	32.0	28.4	2000	8盘(16000PCS)
35~54 PIN	44.0	40.4	2000	6盘(12000PCS)
55~60 PIN	56.0	52.4	2000	5盘(10000PCS)

2:PACKING INTO OUTER BOX



文件发行
2020.08.31
Aorora

UNLESS OTHERWISE SPECIFIED TOLERANCES				ANGLE OF PROJECTION		Amphenol AORORA	
X.	±0.30	X. °	± 5'			Amphenol Aorora Technology (Huizhou) Co.,Ltd	
X.X	±0.25	X.X °	± 4'				
X.XX	±0.20	X.XX °	± 3'	DOC TYP	Customer Drw	TITLE:	
X.XXX	±0.15	X.XXX °	± 2'	DRAWN	May 2019-11-28	FFC/FPC P0.50 H2.0 front side filp_"L" type fixed plate	
LINEAR DIMS	ANGLES DIMS			DESIGN	May 2019-11-28	SIZE	PART NUMBER:
DWG NO.:	A-S0462			CHECKED	Rain 2019-11-28	A4	F305-1*7H1-210**-E*00
MATERIAL	SEE NOTES			APPROVED	Hongkui.Liu 2019-11-28	SCALE	1:1
FINISHED	SEE NOTES			DATE		UNIT	mm
						SHEET	3 OF 3

This document is the property of and embodies CONFIDENTIAL and PROPRIETARY information of AOR. No part of the information shown on this document may be used in any way or disclosed to others without the written consent of AOR. © 2019 AOR

Amphenol AORORA