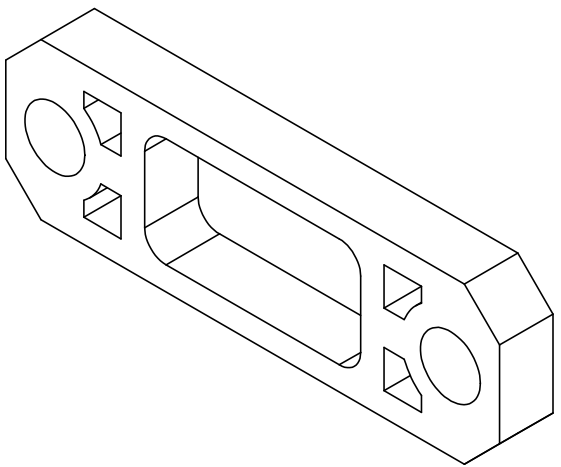
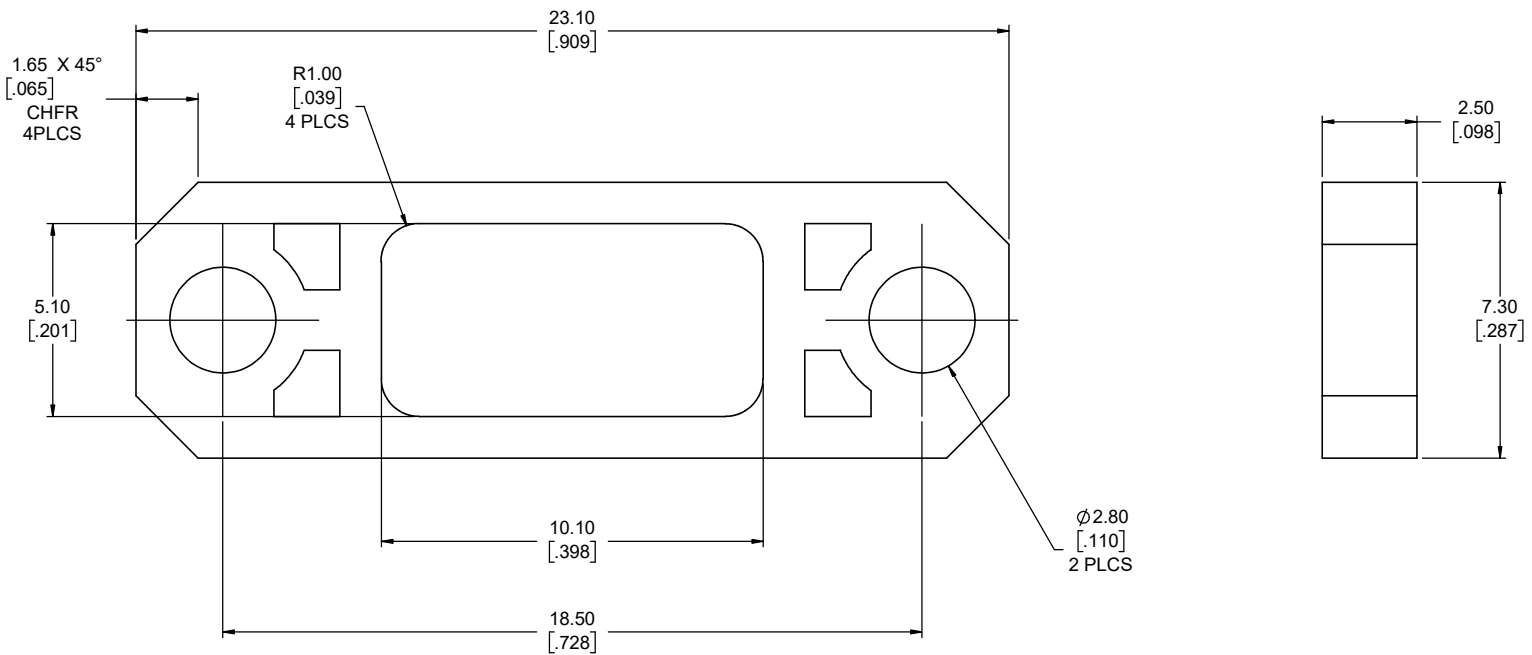


REVISIONS			
REV	DESCRIPTION, ECN, EAR NO.	DATE	APP'D
A	PRODUCT DRAWING (EAR 15218)	JUN07/23	E. Q.



NOTES:

1. MATERIAL: CONDUCTIVE SILICONE RUBBER, 75 SHORE A DUROMETER, COLOUR-BLACK, 2.0 Ohm-cm VOLUME RESISTIVITY.
2. PART TO BE USED WITH MUSBR SERIES USB TYPE-C CONNECTOR.
3. MATERIAL IS RoHS COMPLIANT PER EU DIRECTIVE 2011/65/EU AND AMENDMENTS.
4. PART SUPPLIED IS BULK PACKED.



AMPHENOL PART NUMBER: MUSBR-2M1C-267BP

UNLESS SPECIFIED OTHERWISE	DRAWN	B.HU	JUN07/23	Amphenol Canada Corp. Commercial Products			
PRIMARY UNITS MILLIMETRES	CHECKED						
SECONDARY INCHES	M.E. APP'D						
REFERENCE IN PARENTHESES	Q.A. APP'D						
GENERAL TOLERANCES	DWG APPR.	E. Q.	JUN07/23	MUSBR SERIES, USB TYPE-C, PANEL GASKET, RoHS COMPLIANT			
1 DECIMAL PLACE	ENG. REL. NO.	EAR 15218					
2 DECIMAL PLACES ±0.10	REF.						
3 DECIMAL PLACES	THIRD ANGLE PROJECTION			DWG. NO.	REV		
ANGULAR DEGREES				P-MUSBR-2M1C-267BP	A		
				CODE ID NO. 03554	DWG SIZE: X	SCALE: 10:1	SHEET 1 OF 1

THIS DOCUMENT CONTAINS PROPRIETARY INFORMATION AND SUCH INFORMATION MAY NOT BE DISCLOSED TO OTHERS FOR ANY PURPOSE OR USED FOR MANUFACTURING PURPOSES WITHOUT WRITTEN PERMISSION FROM AMPHENOL CANADA CORP.