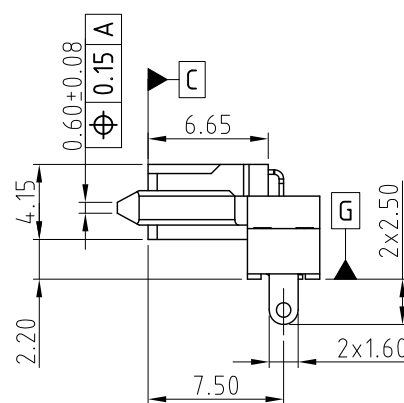
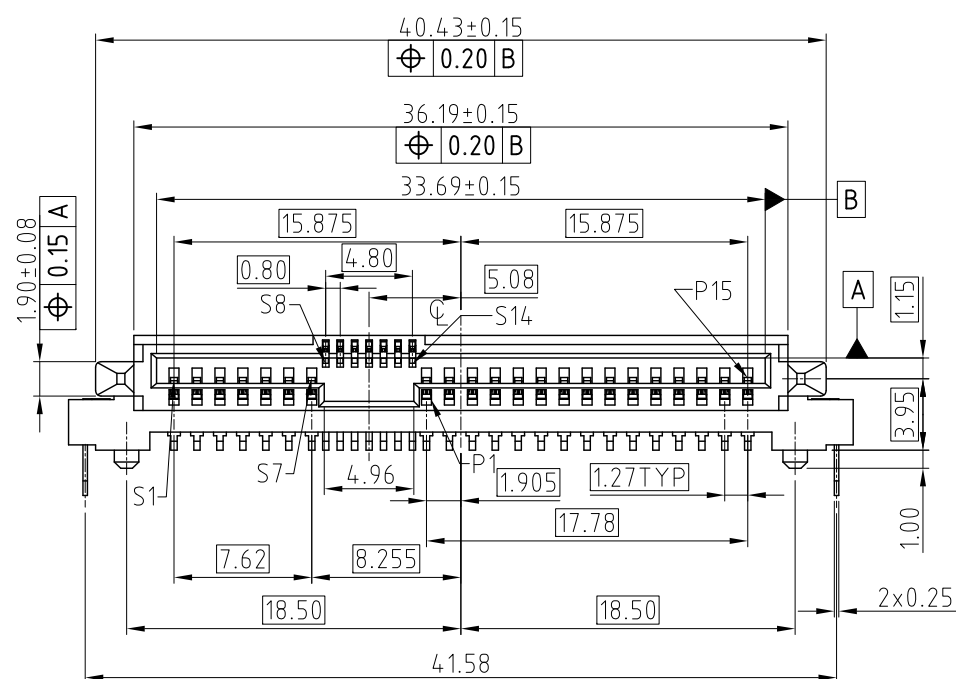
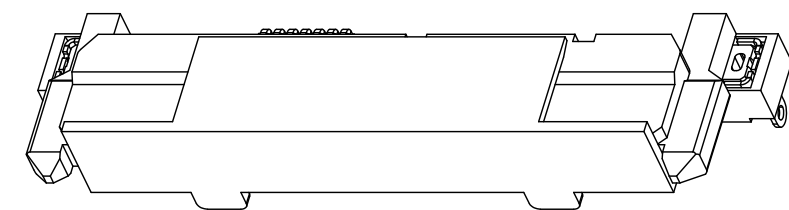
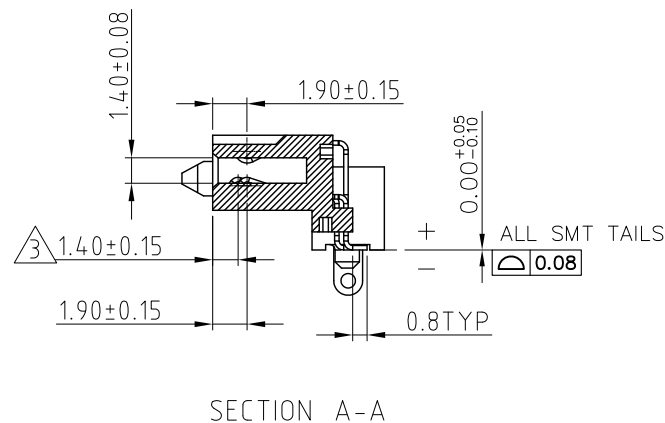
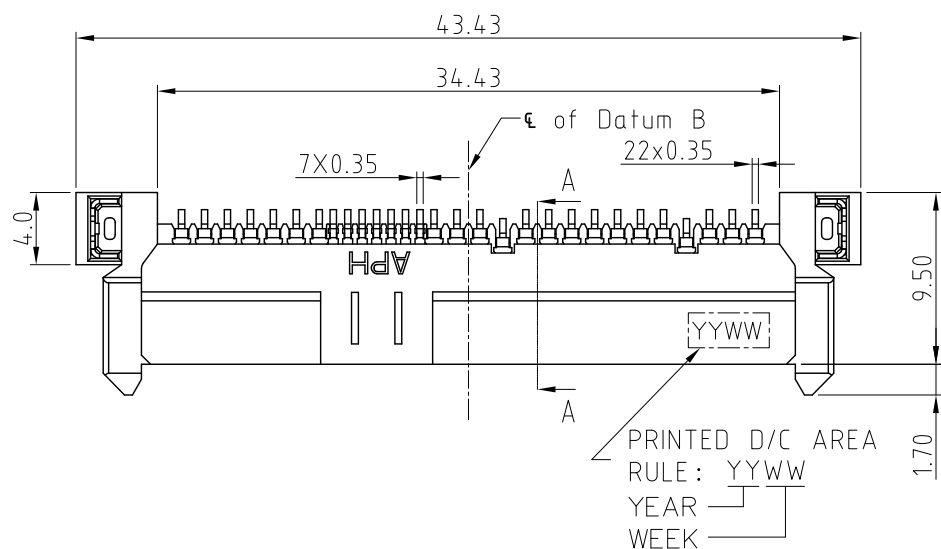


This document is the property of Amphenol Corporation and is delivered on the express condition that it is not to be disclosed, reproduced or used, in whole or in part, for manufacture or sale by anyone other than Amphenol Corporation without its prior consent, & that no right is granted to disclose or to use any information in this document.

CUSTOMER DRAWING

REVISIONS

SYM	ECN	DESCRIPTION	DATE	APPROVED
1	N/A	FIRST RELEASE	8/11/14	IP
2	HK7272	UPDATE DRAWING ADD COPLANARITY	10/10/15	IP
3	HK----	Modify PCB LAYOUT S7 and P1 pin width from 0.60mm to 0.55mm	01/26/16	IP
4	HK----	ADDED DIMENSIONS BY CUSTOMER'S REQUEST	01/29/19	IP
5	HK8335	ADDED PACKING SPEC BY CUSTOMER'S REQUEST	07/31/19	IP
6	HK10863	ADD CORE OUT FOR MAIN HOUSING	10/20'22	XIANG

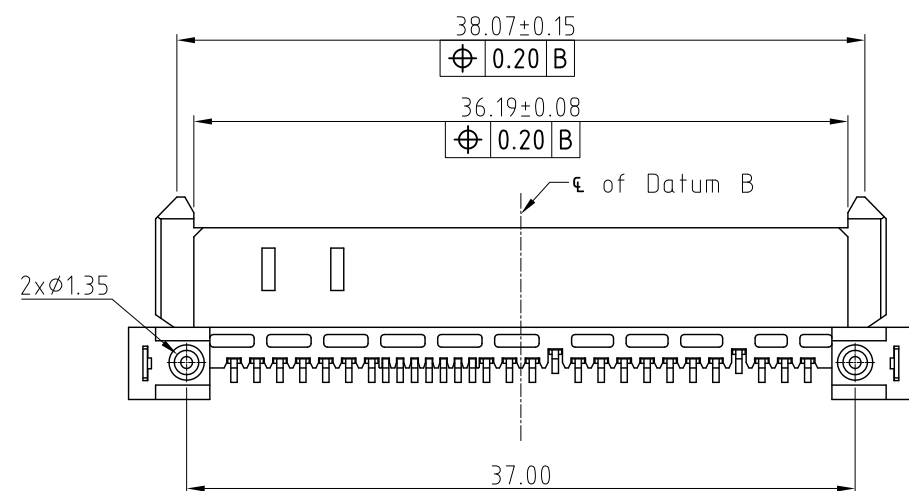


NOTES

- MATERIAL
 - HOUSING: HIGH TEMPERATURE THERMOPLASTIC, UL94V-0, COLOR:BLACK.
 - CONTACTS : PHOSPHOR BRONZE
PLATING: REFER TO P/N SYSTEM ON MATING AREA.
1.27um MIN NICKEL UNDER PLATED OVERALL.
2.54um MIN PURE MATTE TIN ON SOLDER TAILS.
 - SOLDER CLIPS: COPPER ALLOY
2.54um MIN PURE MATTE TIN OVER 1.27um MIN NICKEL.
 - GENERAL SPECIFICATION
 - CURRENT RATING: 1.5A/PER PIN (POWER SECTION).
 - CONTACT RESISTANCE: 30mΩ MAX (INITIAL).
 - INSULATOR RESISTANCE: 1000MΩ MIN.
 - DIELECTRIC WITHSTANDING VOLTAGE: 500 VAC
 - OPERATION TEMPERATURE: -55°C~+105°C
- PREMATING AT P4 & P12
SUPPORT SAS3.0
DIMENSIONING SHALL BE INTERPRETED PER ASME Y14.5M 1994.
MATERIAL SHOULD BE FULFILLED AMPHENOL SPEC.# S-SN-002, FOR HALOGEN FREE PRODUCTS, ALSO NEED TO MEET S-SN-004.
ORDER P/N SYSTEM: SAS3F213018XXX

MATING AREA PLATING
1- 0.76um MIN Au.
2- 0.38um MIN Au.
3- Gold FLASH

PACKING STYLE
NIL- TRAY WITHOUT PICK-UP CAP
C- TRAY WITH PICK-UP CAP
TR- TAPE AND REEL WITH PICK-UP CAP
NT- TAPE AND REEL WITHOUT PICK-UP CAP



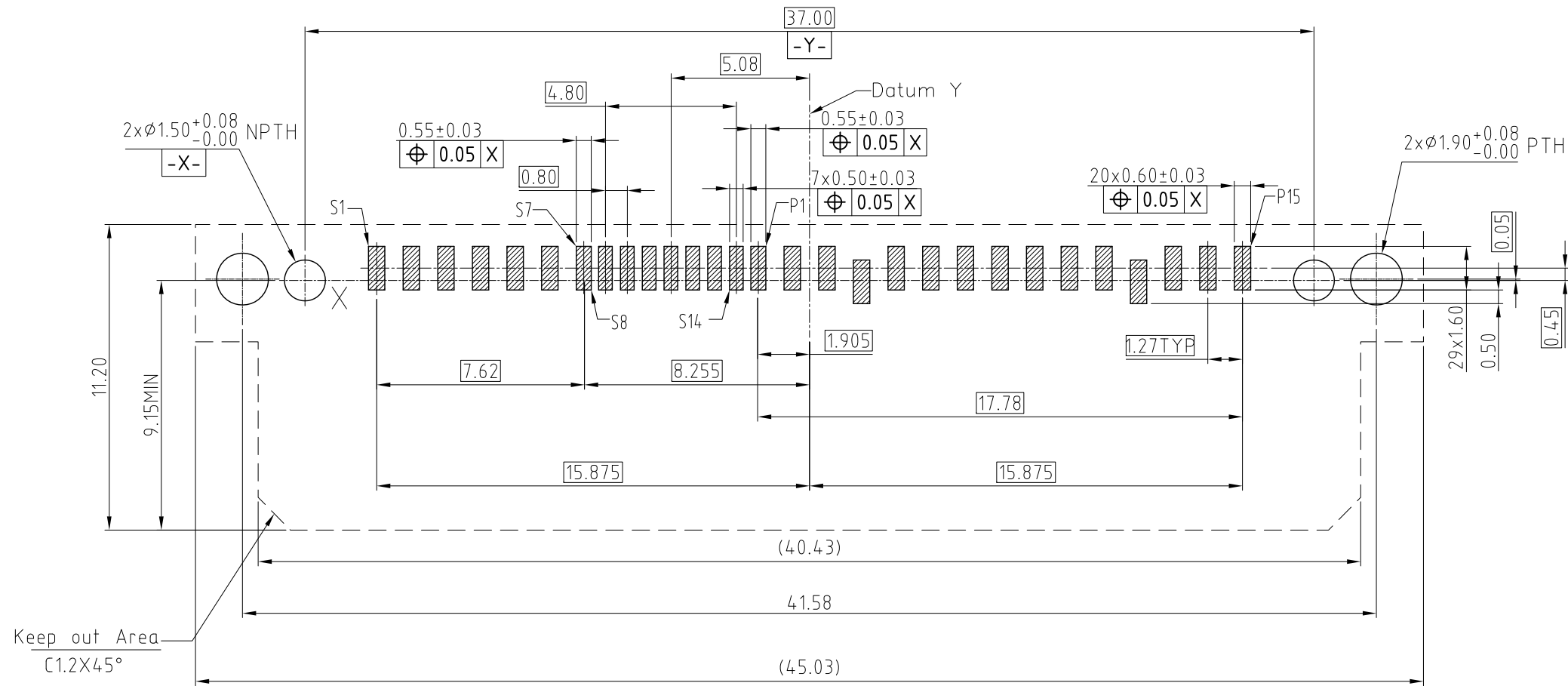
HF(无卤)	√
Non-HF(有卤)	



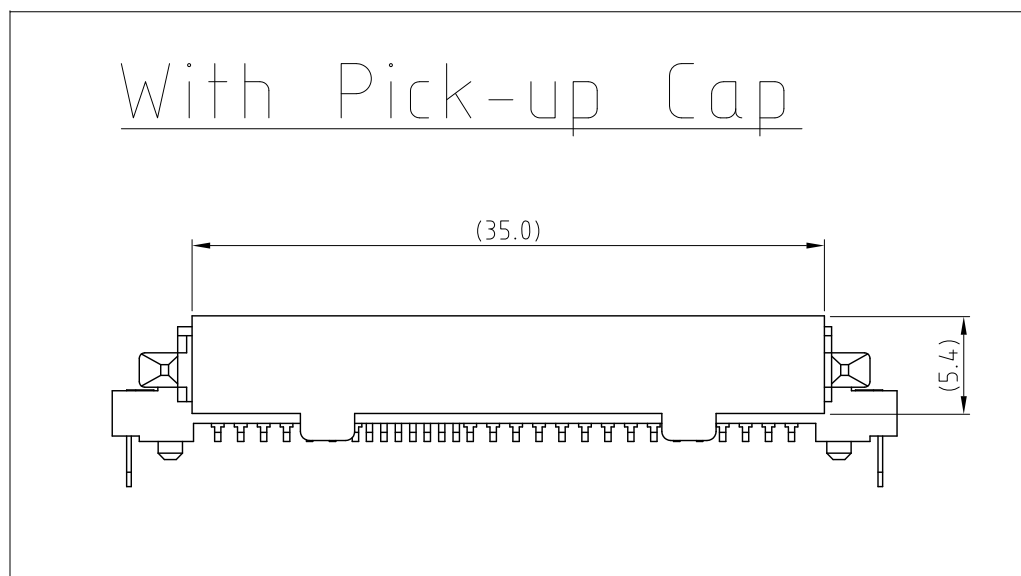
UNLESS OTHERWISE SPECIFIED TOLERANCES		APPROVAL	DATE	Amphenol Amphenol East Asia Limited
U.S.	METRIC	DRAWN	DATE	
0.0	+/-	Jackie.Tan	10/20'22	TITLE SAS R/A SMT H=3.95mm Socket
0.00	+/-	Xiang.Wang	10/20'22	
0.000	+/-	CHECKED	CHECKED	SIZE A3
FRACTIONS +/-	5'	DRAWING FILE :	\DRAWING\SAS\SAS3F213018XXX-6	
ANGLES +/-		REMOVE SHARP EDGES	ANGLE OF PROJECTION	DRAWING NO. SAS3F213018XXX
		DIMENSIONS		
U.S.	INCHES			REV. 6
(METRIC)	(MM)			
				SCALE N/A
				SHEET 1 OF 3

CUSTOMER DRAWING

REVISIONS				
SYM	ECN	DESCRIPTION	DATE	APPROVED
		REFER TO SHEET 1		



RECOMMENDED PCB LAYOUT
GENERAL TOLERANCE ±0.05



HF(无卤)	√
Non-HF(有卤)	

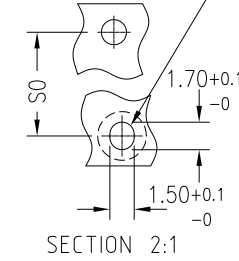
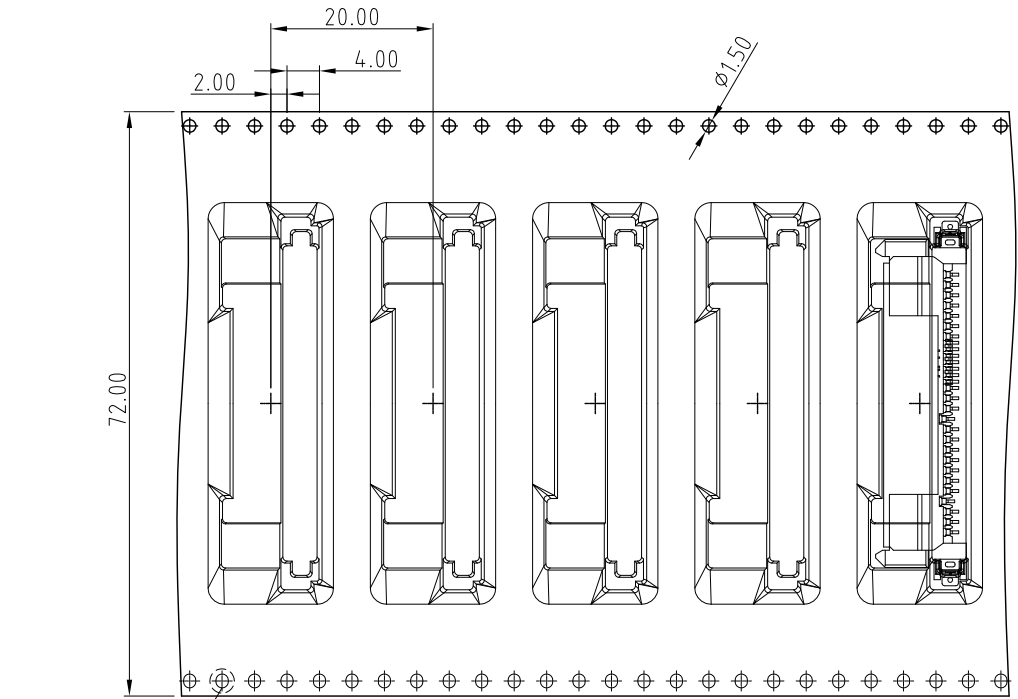
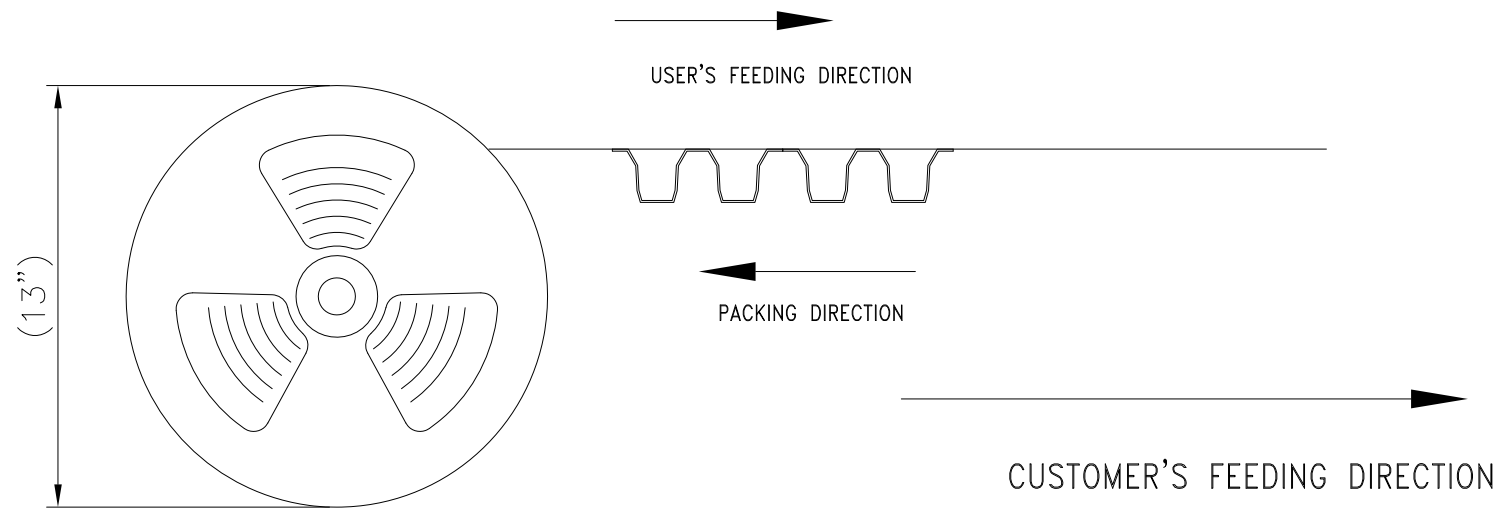
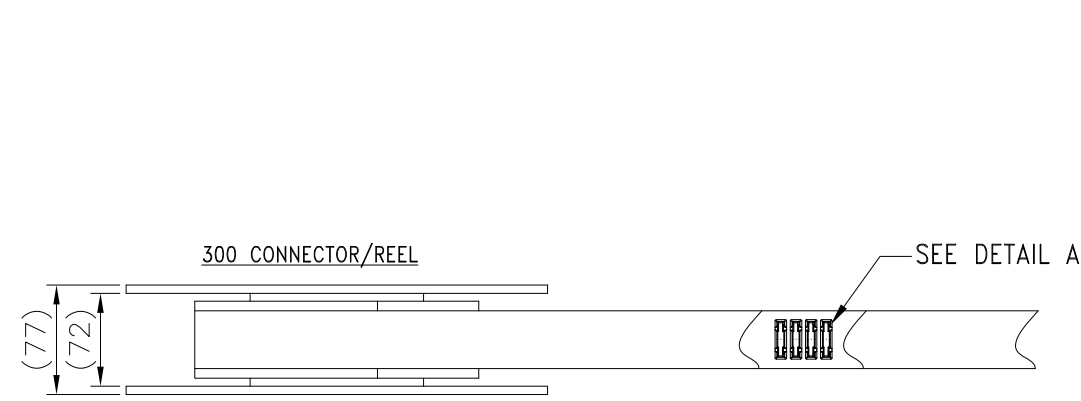


UNLESS OTHERWISE SPECIFIED TOLERANCES		APPROVAL	DATE	Amphenol Amphenol East Asia Limited
U.S.	METRIC	DRAWN	DATE	
0.0	+/-	Jackie.Tan	10/20'22	TITLE SAS R/A SMT H=3.95mm Socket
0.00	+/-	Xiang.Wang	10/20'22	
0.000	+/-	CHECKED	CHECKED	DRAWING FILE : \\DRAWING\SAS\SAS3F213018XXX-6
FRACTIONS +/-				
ANGLES +/-	5°			ANGLE OF PROJECTION
REMOVE SHARP EDGES				
DIMENSIONS				
U.S.	INCHES			
(METRIC)	(MM)			
SIZE	DRAWING NO.	REV.		
A3	SAS3F213018XXX	6		
SCALE	N/A	SHEET	2	OF 3

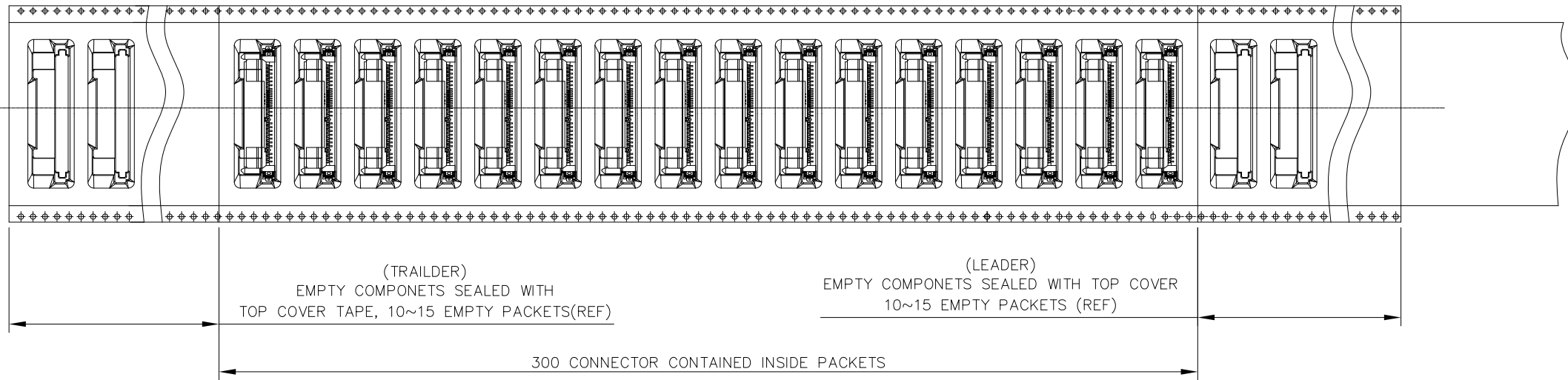
This document is the property of Amphenol Corporation and is delivered on the express condition that it is not to be disclosed, reproduced or used, in whole or in part, for manufacture or sale by anyone other than Amphenol Corporation without its prior consent, & that no right is granted to disclose or to use any information in this document.

CUSTOMER DRAWING

REVISIONS				
SYM	ECN	DESCRIPTION	DATE	APPROVED
REFER TO SHEET 1				



DETAIL A
SCALE 2:1



HF(无卤)	√
Non-HF(有卤)	



UNLESS OTHERWISE SPECIFIED TOLERANCES		APPROVAL		DATE
	U.S.	METRIC	DRAWN	Jackie.Tan
.X	+/-	0.50	CHECKED	Xiang.Wang
.XX	+/-	0.25	CHECKED	
.XXX	+/-	0.20	DRAWING FILE : LDRAWING\SAS1\SAS3F213018XXX-6	
FRACTIONS +/-		3°	ANGLE OF PROJECTION	
ANGLES +/-			REMOVE SHARP EDGES	
FOR MATERIALS AND FINISHES SEE NOTES		DRAWING FILE :		
DIMENSIONS		ANGLE OF PROJECTION		
U.S.	INCHES			
(METRIC)	(MM)			

Amphenol
Amphenol East Asia Limited
TITLE
SAS R/A SMT H=3.95mm Socket

SIZE	DRAWING NO.	REV.
A3	SAS3F213018XXX	6
SCALE	NONE	SHEET 3 OF 3