

DRAIN PAN EXTENSION BRACKET KIT

INSTALLATION INSTRUCTIONS

DRAIN PAN EXTENSION BRACKET INSTALLATION

DRAIN PAN EXTENSION BRACKET KIT

1. **IMPORTANT!** Disconnect all electrical power to the unit being serviced. Refer to the installation manual supplied with the equipment for proper shutdown sequence.

NOTE: Access to the under-side of the coil is required. This requires removal of the coil door and front delta plate.

2. Remove front panel from the coil case.
3. Remove the delta plate from the front of the coil assembly.
4. Verify that the inside edges of the drain pan on both sides are smooth and free of burrs. Clean them off with a file if necessary.
5. Firmly press the baffles over the edge of the drain pan, do one at the time (See Figure 1). **NOTE:** Make sure that the baffles are firmly in place and will not be dislodged by airflow. Two baffles per unit, one on each side.
6. Replace the delta plate on the front of the coil assembly.
7. Replace front panel on the coil case.
8. Reconnect electrical power to the unit. Refer to the installation manual for proper startup sequence.

NOTE: Figure 1 shows the correct baffle orientation and installation location on the left side of drain pan. Baffle orientation is mirrored on the right side of the drain pan.

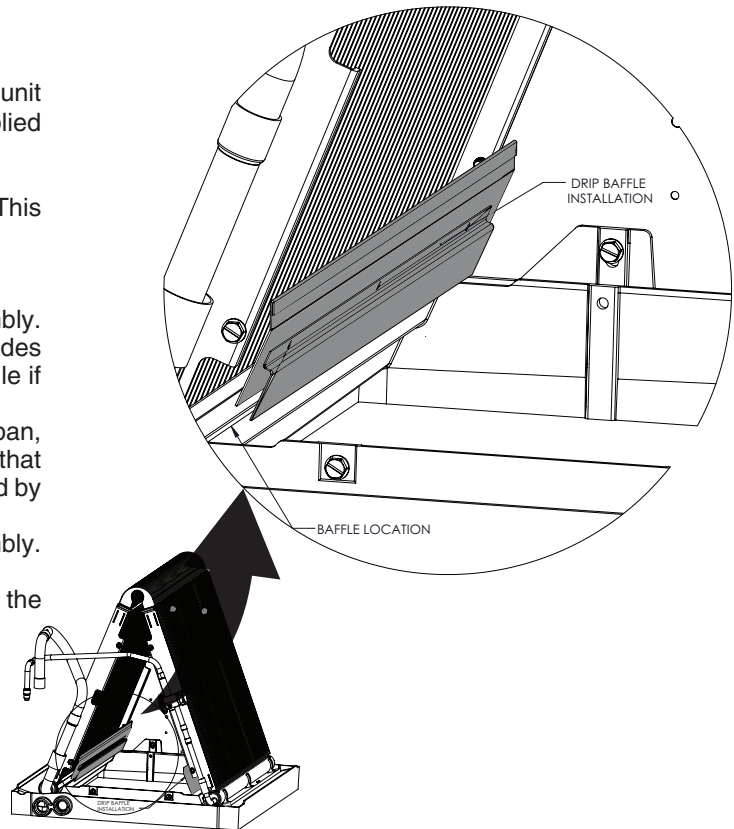


Figure 1. Drip Baffle Installation

IMPORTANT

ATTENTION INSTALLERS:

It is your responsibility to know this product better than your customer. This includes being able to install the product according to strict safety guidelines and instructing the customer on how to operate and maintain the equipment for the life of the product. Safety should always be the deciding factor when installing this product and using common sense plays an important role as well. Pay attention to all safety warnings and any other special notes highlighted in the manual. Improper installation of the furnace or failure to follow safety warnings could result in serious injury, death, or property damage.

These instructions are primarily intended to assist qualified individuals experienced in the proper installation of this appliance. Some local codes require licensed installation/service personnel for this type of equipment. Please read all instructions carefully before starting the installation. Return these instructions to the customer's package for future reference.

DO NOT DESTROY. PLEASE READ CAREFULLY & KEEP IN A SAFE PLACE FOR FUTURE REFERENCE.

