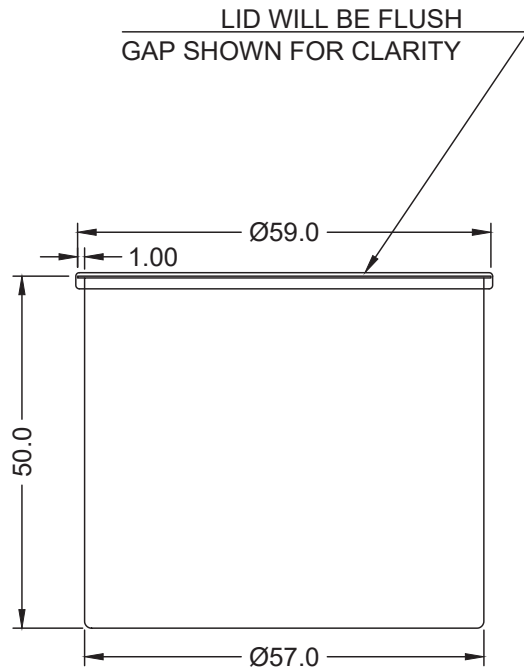


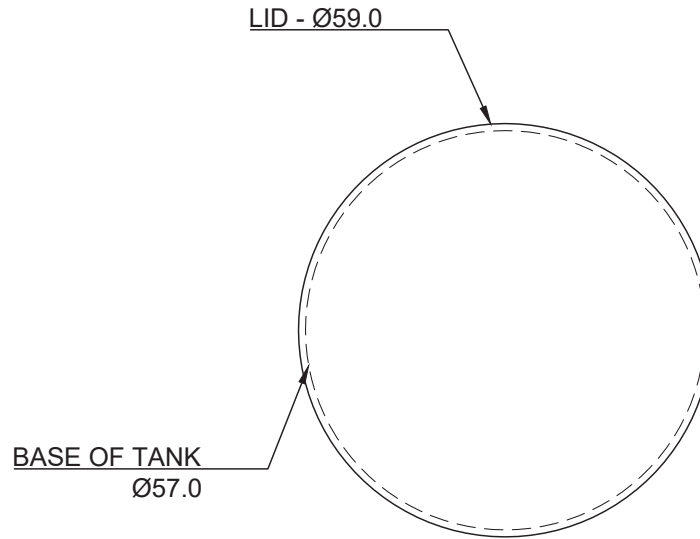


if it flows,  
we go with it

1.800.665.4499  
barrplastics.com



FRONT VIEW



TOP VIEW

ALL DIMENSIONS IN INCHES UNLESS OTHERWISE STATED.  
ALL INFORMATION CONTAINED IN THIS DRAWING IS STRICTLY CONFIDENTIAL AND PROPERTY OF BARR PLASTICS INC.  
NO PART SHALL BE COPIED OR REPRODUCED WITHOUT THE WRITTEN CONSENT OF BARR PLASTICS INC.

**Customer Drawing Approval**

Customer \_\_\_\_\_

Barr Plastic Inc. \_\_\_\_\_



DATE:  
04 MAY 2021

PROJECT:	OPEN TOP TANK 400L
SHEET:	SHEET 1 OF 1
DRAWING REF:	OT-400-L
SCALE:	N.T.S
REV:	0

MATERIAL SPECIFICATIONS  
HDPE