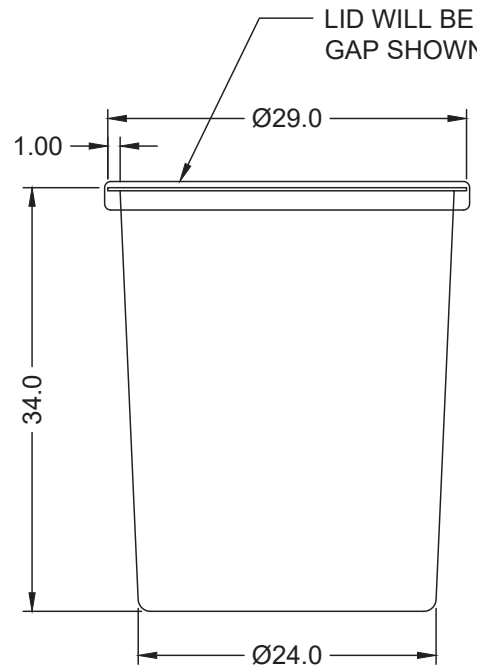


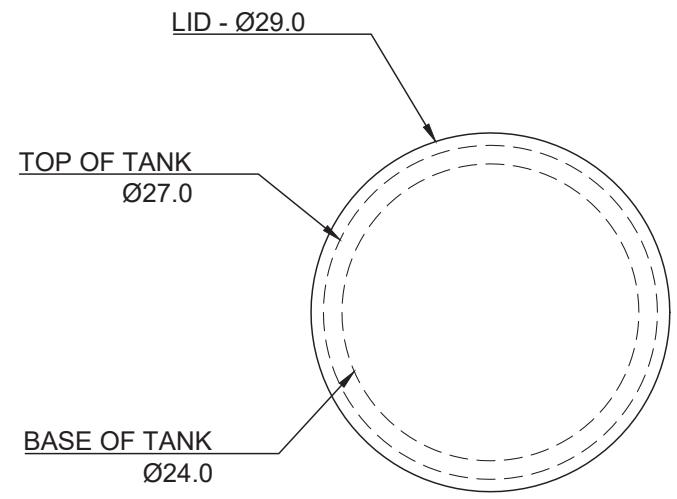


if it flows,
we go with it

1.800.665.4499
barrplastics.com



FRONT VIEW



TOP VIEW

ALL DIMENSIONS IN INCHES UNLESS OTHERWISE STATED
ALL INFORMATION CONTAINED IN THIS DRAWING IS STRICTLY CONFIDENTIAL AND PROPERTY OF BARR PLASTICS INC.
NO PART SHALL BE COPIED OR REPRODUCED WITHOUT THE WRITTEN CONSENT OF BARR PLASTICS INC.

Customer Drawing Approval

Customer _____

Barr Plastic Inc. _____



| | |
|--------------|----------------------|
| PROJECT: | OPEN TOP TANK 50L |
| SHEET: | SHEET 1 OF 1 |
| DRAWING REF: | OT-50-L |
| SCALE: | N.T.S |
| REV: | 0 |

MATERIAL SPECIFICATIONS
HDPE

DATE:
04 MAY 2021