

DIVER 6

SUBMERSIBLE MULTI-IMPELLER PUMPS



6" multi-impeller submersible pump for clean water, designed for pressurization, rainwater re-use, gardening and irrigation in residential building service.

The pump is ideal for use in rainwater recovery systems and to increase the water pressure.

Available as manual or automatic model. The automatic version is a single-phase pump with a float switch for protection against dry running with the need for a control panel. The pump has an in built starting capacitor and the motor has integrated overheating protection.

Equipped with stainless steel debris filter, a non-return valve and a 49 ft (15 m) power cable with power plug. Renewed to further increase reliability and the ergonomics (the handle has been completely redesigned). The pumps is supplied as standard with a four-section step fitting and a 1" M/F check valve.

Flow rate maximum from 4.4 to 23.8 GPM(1 m³/h to 5,4 m³/h)

Head up to 151 ft (46 m)

Maximum immersion depth 39 ft (12 m)

Type of pumped liquid clean, free from solid or abrasive substances, non-viscous, non-aggressive, non-crystallized and chemically neutral

Minimum and maximum ambient temperature 32°F / +95°F (0°C / +35°C)

Maximum number of starts 20/h

Impeller/s material technopolymer

Power cable with plug 49 ft (15 m)

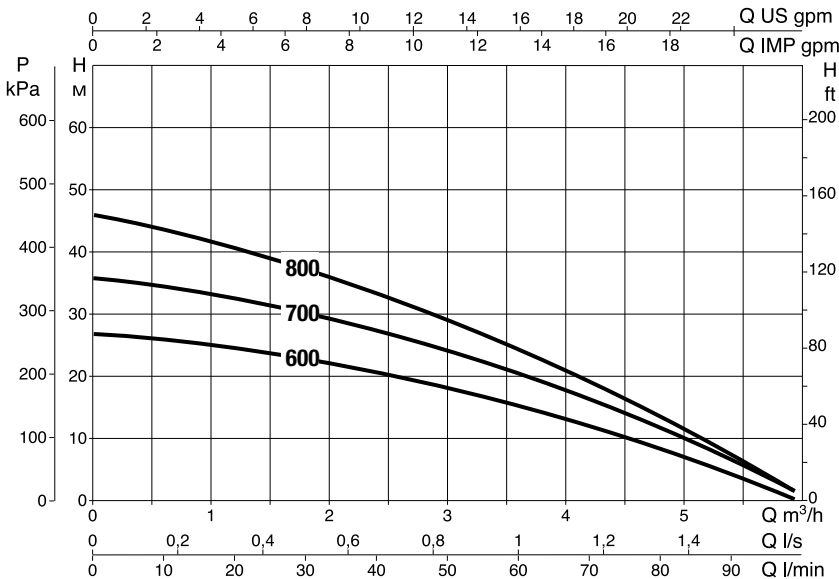
Possible type of installation fixed or portable in vertical position

Special versions on request cables of different lengths, different plug

TECHNICAL DATA

MODEL	CODE	ELECTRICAL DATA						
		VOLTAGE 60 Hz	P1 MAX kW	P2 NOMINAL		In A	CAPACITOR	
				kW	HP		μF	Vc
DIVER 6 600 M-A	60193029.	115V/60Hz	0.95	0.65	0.88	8.7	30	250
DIVER 6 700 M-A	60193030.	115V/60Hz	0.77	0.55	0.75	7.8	30	250
DIVER 6 800 M-A	60193031.	115V/60Hz	0.95	0.65	0.9	8.7	30	250

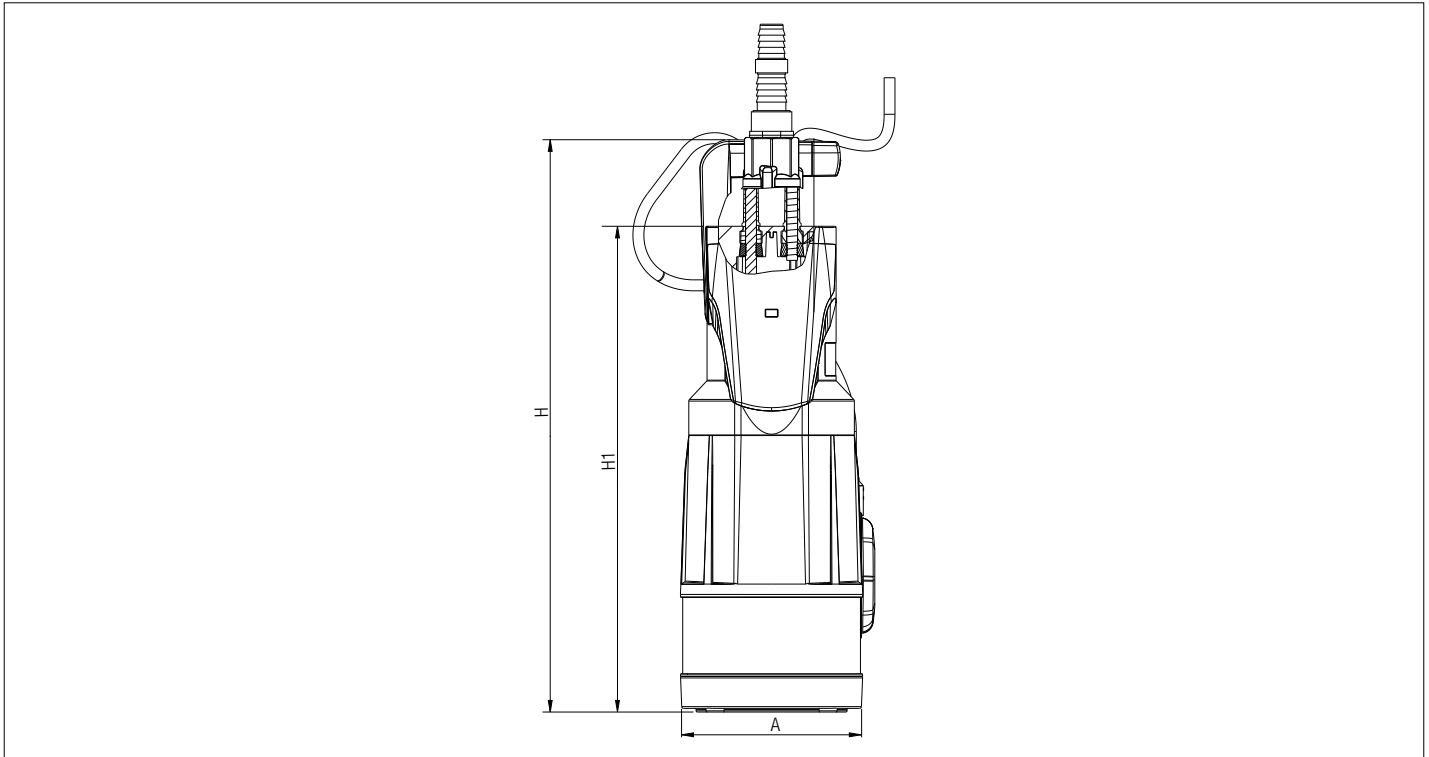
RANGE PERFORMANCE



DIVER 6

SUBMERSIBLE MULTI-IMPELLER PUMPS

DIMENSIONS AND WEIGHTS



MODEL	Units	A	H	H1	Ø	PACKING DIMENSIONS			PACKING VOLUME	Q.TY X PALLET	WEIGHT
						L/A	L/B	H			
DIVER 6 - 600 M-A	inch	5.9	16.7	13.9	1"	9.1	7.5	19.7	0.7 ft ³	40	17.7 lbs
	mm	150	423	354		230	190	500	0.02 m ³		8.05 kg
DIVER 6 - 700 M-A	inch	5.9	18.5	15.7	1"	9.1	7.5	19.7	0.7 ft ³	40	20.5 lbs
	mm	150	470	399		230	190	500	0.02 m ³		9.30 kg
DIVER 6 - 800 M-A	inch	5.9	18.5	15.7	1"	9.1	7.5	19.7	0.7 ft ³	40	20.8 lbs
	mm	150	470	399		230	190	500	0.02 m ³		9.45 kg