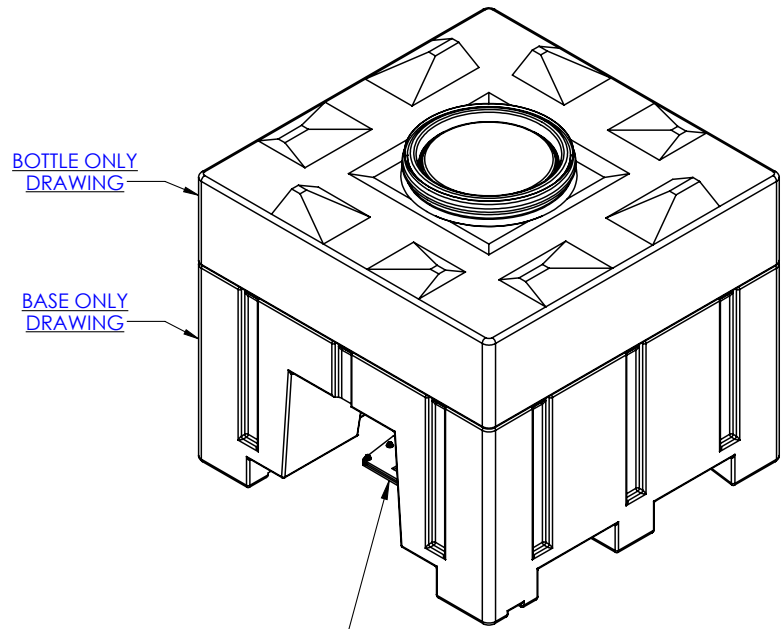
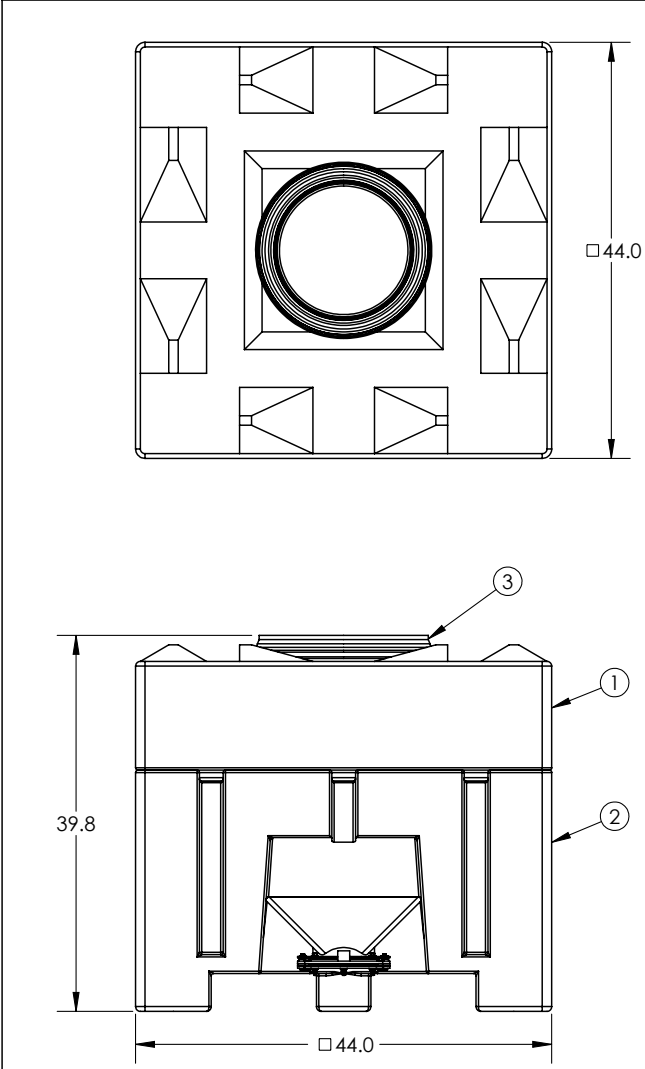




if it flows,  
we go with it

1.800.665.4499  
barrplastics.com



STANDARD SLIDEGATE - [34701851](#)  
IRIS VALVE - [34702197](#)

4	1	34701851	ASM SLIDEGATE 8091 20CF HPR
3	1	34100411	COVER PP MANHOLE W/GASKET/STRAP
2	1	6392100M__01	BASE 8090 HPR
1	1	6375400M__01	HPR 20CF 8091 BTM DSCRG CT
ITEM NO.	QTY.	PART NUMBER	DESCRIPTION
DO NOT SCALE		DRAWN BY	 <small>1005 Atlantic Drive West Chicago, IL 60185 (630)295-0303 www.bonarplastics.com</small>
STATUS: <b>Released</b>		IGG	
© SNYDER INDUSTRIES INC., 2015			TITLE: <b>ASM 8091 HPR CT SLGT</b>
<small>ALL DIMENSIONS, DESIGNS, AND INFORMATION ON THIS PRINT MUST BE CONSIDERED PROPRIETARY TO SNYDER INDUSTRIES, INC. AND MAY NOT BE USED, COPIED, OR DISTRIBUTED WITHOUT WRITTEN PERMISSION OF AN OFFICER (OR HIS AGENT) OF THE FIRM.</small>			REVISION <b>A</b> SHEET 1 OF 1
		PART NO. <b>6375400M</b>	ENG. ID. <b>A004608</b>

ALL DIMENSIONS ARE IN INCHES, NOMINAL, & SUBJECT TO CHANGE WITHOUT NOTICE.  
ALL DIMENSIONS ON ROTATIONAL MOLDED PARTS ARE SUBJECT TO A ± 3% TOLERANCE.