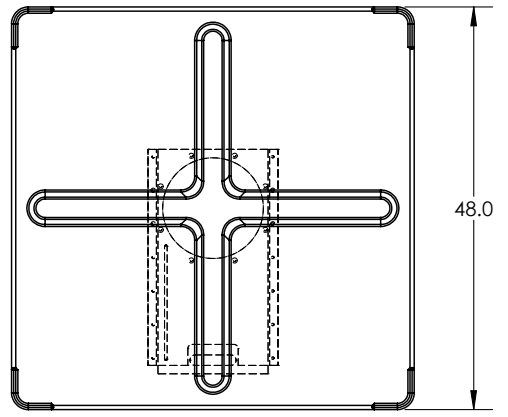
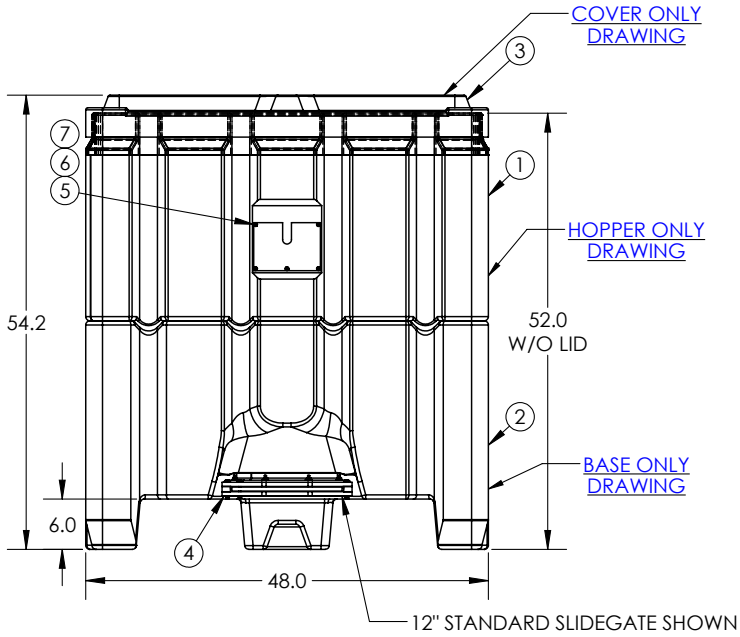




if it flows,  
we go with it

1.800.665.4499  
barrplastics.com



AVAILABLE SLIDEGATE OPTIONS:  
 12" STANDARD GATE [34702033](#)  
 8" STANDARD GATE [34702034](#)  
 12" COMPACT GATE [34702267](#)  
 8" COMPACT GATE [34702383](#)

7	1	34000040	CARD HOLDER - NUT/HOPPER
6	5	35200146	SCREW TRUSS 10-24 X 5/8 PHIL SS
5	5	35100368	WASHER BRASS #10 X 7/16 FLAT
4	1	34702033	ASM SLIDE GATE 8096 12IN CHUTE
3	1	6392700M__01	COVER 8096 HPR
2	1	6393000M__01	BASE 8096 HPR
1	1	6376100M__01	BIN 8096-1 35CF 52IN TALL

ITEM NO.	QTY.	PART NUMBER	DESCRIPTION
DO NOT SCALE		DRAWN BY	REVISION
STATUS: <b>Released</b>		IGG	<b>A</b>
© SNYDER INDUSTRIES INC., 2015		BONAR PLASTICS www.bonarplastics.com	TITLE: <b>ASM BIN 8096-1 12IN SLGT</b>
ALL DIMENSIONS, DESIGNS, AND INFORMATION ON THIS PRINT MUST BE CONSIDERED PROPRIETARY TO SNYDER INDUSTRIES, INC. AND MAY NOT BE USED, COPIED, OR DISTRIBUTED WITHOUT WRITTEN PERMISSION OF AN OFFICER (OR HIS AGENT) OF THE FIRM.		1005 Atlantic Drive West Chicago, IL 60185 (630)293-0303 www.bonarplastics.com	SHEET 1 OF 1
		PART NO. <b>6376100M</b>	ENG. ID. <b>A004767</b>

ALL DIMENSIONS ARE IN INCHES, NOMINAL, & SUBJECT TO CHANGE WITHOUT NOTICE.  
 ALL DIMENSIONS ON ROTATIONAL MOLDED PARTS ARE SUBJECT TO A ± 3% TOLERANCE.