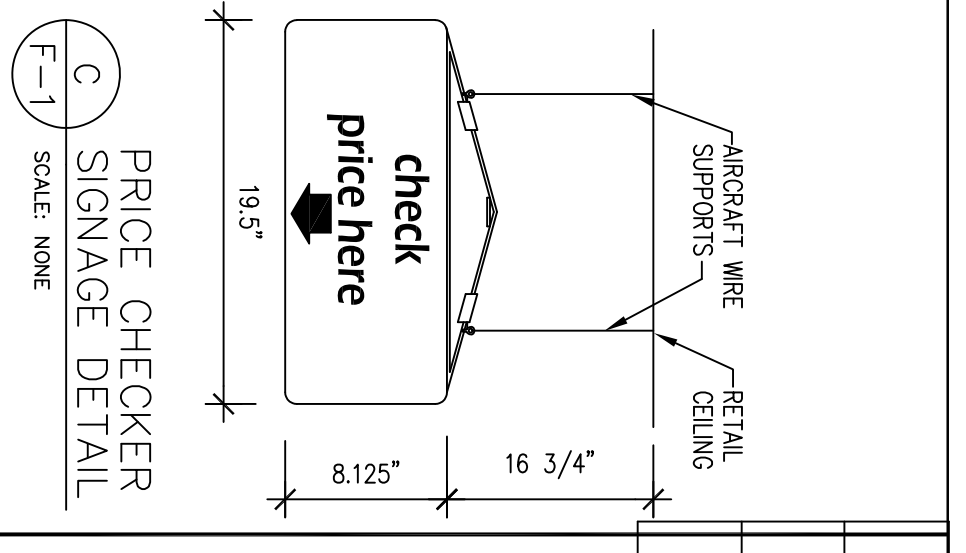
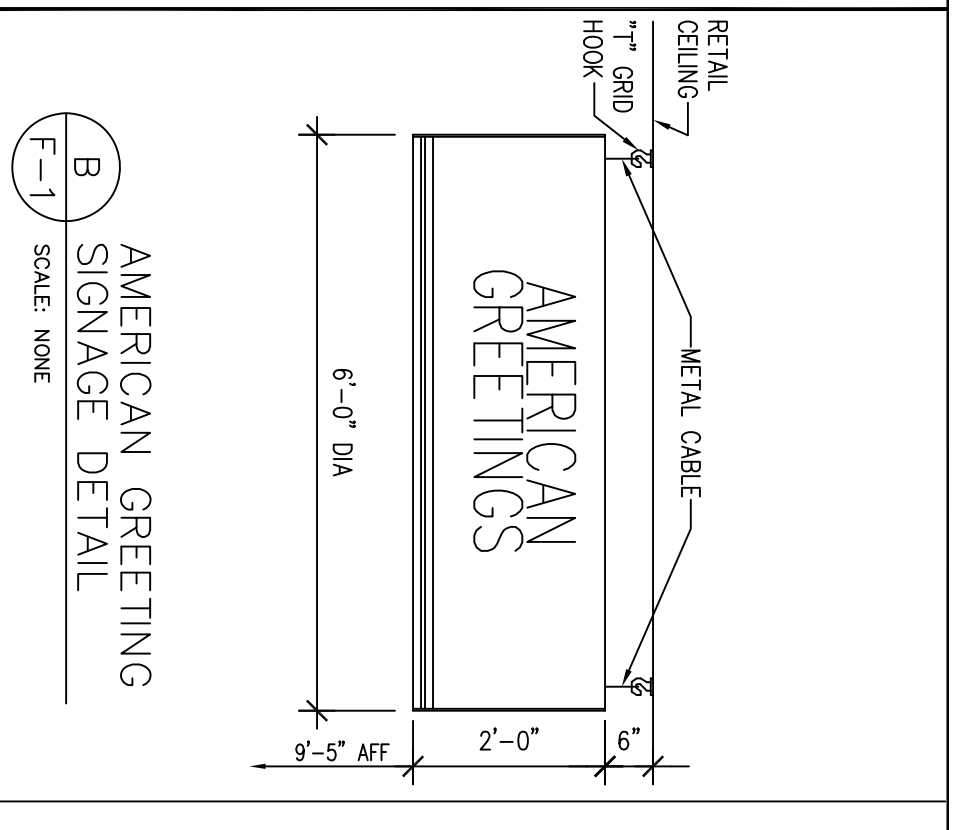
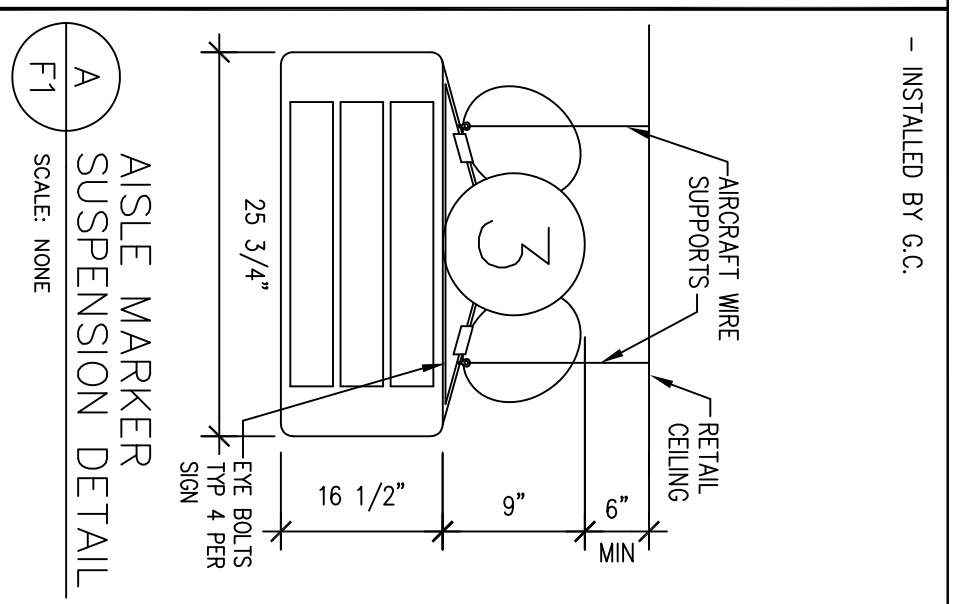
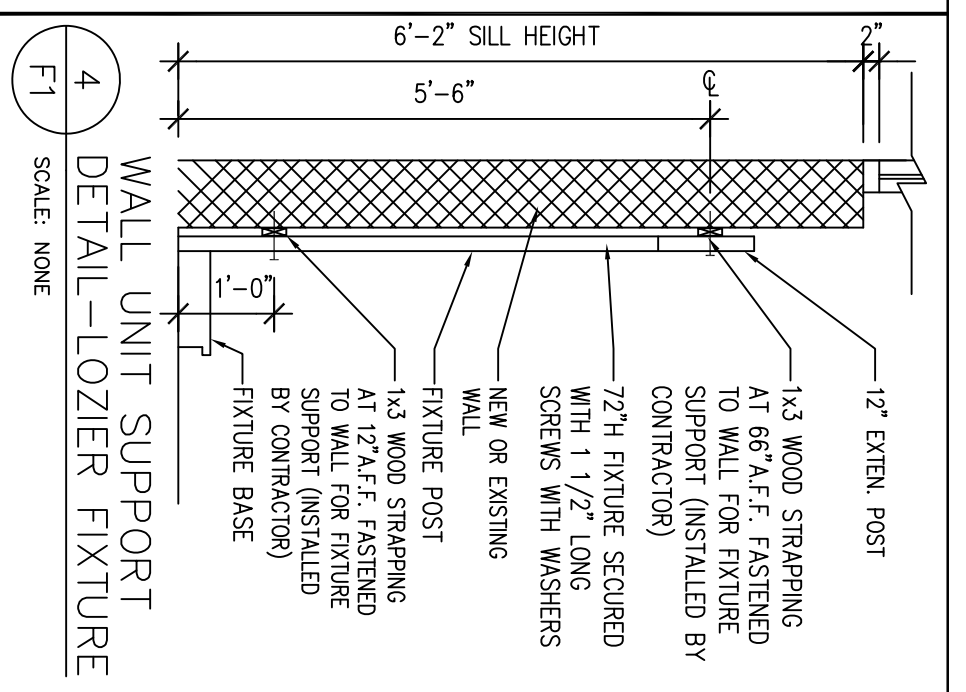
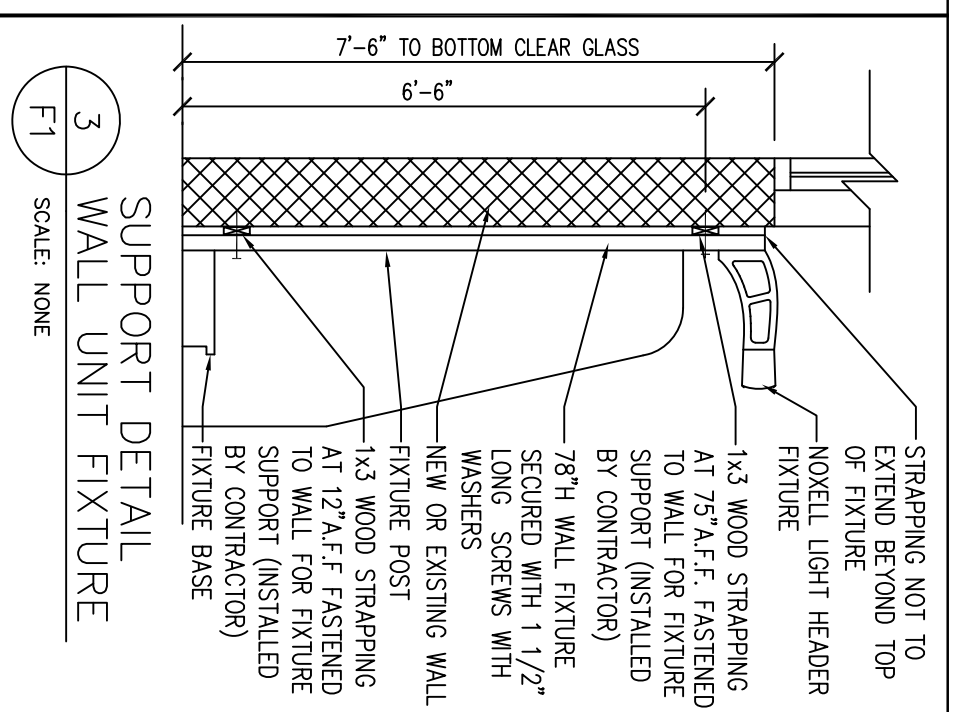
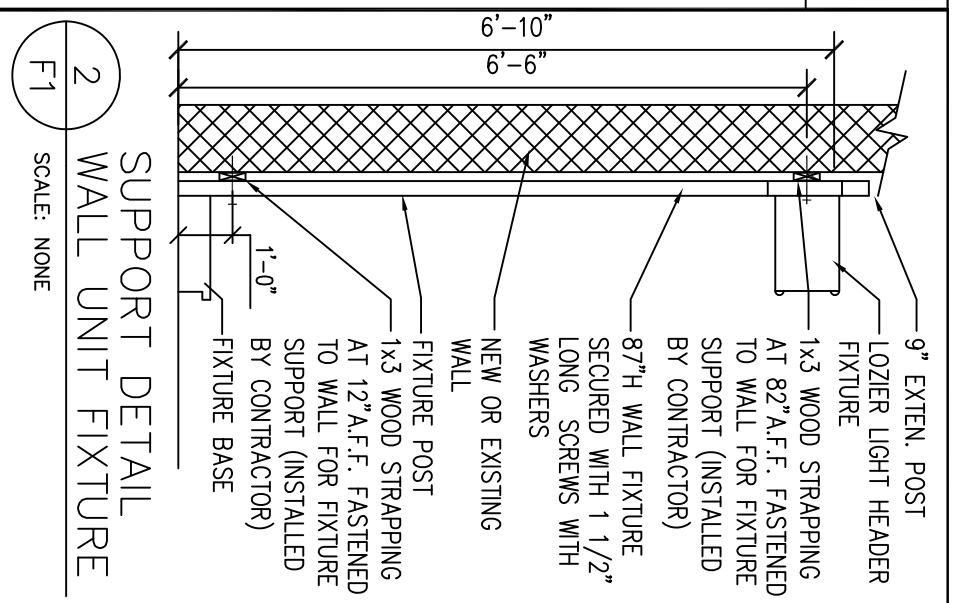


MERCHANDISE FIXTURE LEGEND	
	FEATURE TO RECEIVE OUTLET IN KICKPLATE
	COMMUNICATION JACK
	TELEPHONE, 2-PAIR, 0.5 D-DATA, 1=INTERCOM
	POWER FAILURE
	40/80/160
	BASKET RACK
	11 AISLE MARKER
	SHOPPING BASKET
	FIXTURE SUPPLIED BY OTHERS
	FIRE EXTINGUISHER
	84"x13" UNIT FOR PEG MERCHANDISE
	48"x18"x84" WALL STORAGE
	PALETT POSITION
	8'-0"x3'-6" PALLET TRAYS
	3'-6"x4'-4" AREA
	FEATURE TAG

- BACK ROOM COMPONENTS**
- DSD CHECK-IN/STAGING AREA
 - DISTRIBUTION STAGING AREA
 - 1 HOUR PHOTO SUPPLIES
 - GREETING CARDS
 - R.V. WALLS/SUPPLIES
 - CURRENT PROMO
 - UPCOMING PROMO
 - CURRENT OFF-SHELF MERCHANDISE
 - UPCOMING OFF-SHELF MERCHANDISE
 - CURRENT SEASONAL
 - UPCOMING SEASONAL
 - COSMETICS/PRE PACKS
 - LOOSE PICK OVERSTOCK
 - 6 BINS
 - BULK CASE OVERSTOCK
 - SODA/JUICE/WATER
 - STORE SUPPLIES
 - ORGANIZER
 - EXPLORER
 - SEASONAL PACKAGINGS
 - FSN RECORDS
 - ITEMS TO BE SCANNED



SCALE: 1/8" = 1'-0"	SERVICE AREA: 761 S.F.	RETAIL AREA: 10,392 SF (PHARMACY AREA INCLUDED)
TOTAL STORE AREA: 13,225 S.F.	PHARMACY AREA: 1,080 S.F.	MEZZANINE: N.A.
RECEIVING AREA: 1705 S.F.		

NOTE: THIS SQUARE FOOTAGE IS FOR OUR MERCHANDISE PURPOSES ONLY AND IS NOT TO BE USED TO CALCULATE REQUIRED EGRESS OR CODE REQUIREMENTS.

NOTE: THIS PROTOTYPICAL FIXTURE PLAN IS FOR PRICING PURPOSES ONLY. A SITE SPECIFIC FIXTURE PLAN (FFM) WILL BE PROVIDED FOR EACH PRODUCT!

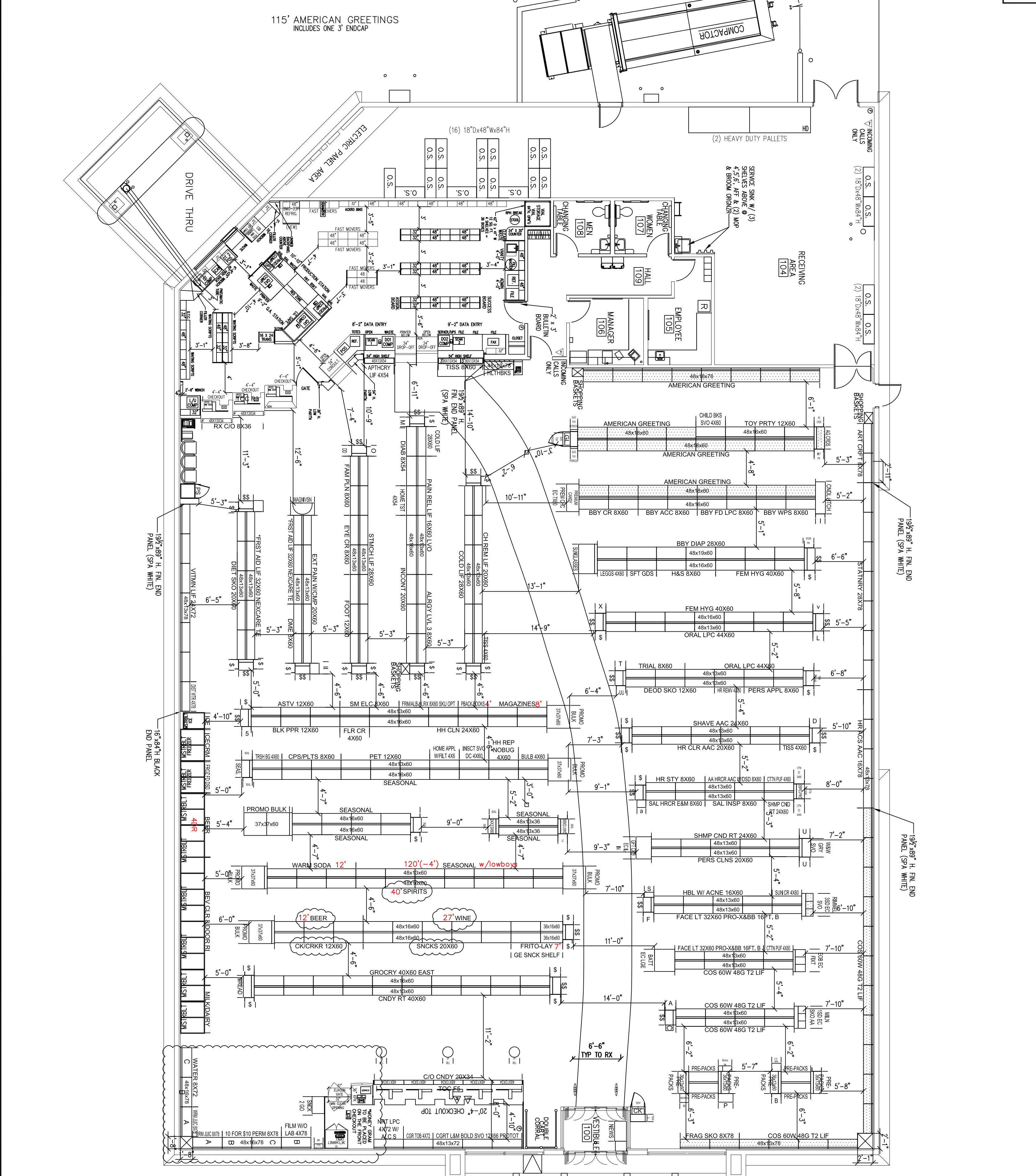
OVERSTOCK SHELVING TO BE SEALED WITH CLEAR POLYURETHANE RE. #13

TOTAL SQ. FT.: RETAIL SQ. FT.:	13,225	9312
STOCK SQ. FT.:	1080	
OPEN: 1/05		
MEZZANINE: N/A		
DATE: 1/22/2009		
PLANNING MGR: JAUITER		
LAYOUT COORD: SAMACKENZIE		

CONSUMER VALUE STORES
CVS CORPORATION
STORE NUMBER: **5602**

LOCATION: 6TH STREET & SO. GRAND AVENUE, SPRINGFIELD, IL

JOB TYPE: NEW
FIXTURE TYPE: LOZIER



CVS #5602 SPRINGFIELD, IL

PROJECT: 2012 PHOT. LAB

SPECIAL MERCHANDISING NOTES:

- REMOVE EXISTING PHOTO LAB.
- INSTALL DIGITAL KIOSK
- SET 4' FILM ON WALL AS SHOWN, SET PREPAID PHONE TOWER
- RELOCATE VAPOR JUICE TO 8' ON NEW LOZIER WALL
- RELOCATE DRINKING WATER TO 8' ON NEW LOZIER WALL
- RELOCATE & EXPAND 10 FOR 10 TO 8' ON NEW LOZIER WALL
- RELOCATE COOKIE/CRACKER
- EXPANDED SNACKS TO 20'
- RELOCATE VAPOR BEER AND EXPAND SPIRITS TO 40' AND EXPAND WINE TO 27'

PLANOGRAMS NEEDED:

9610	RC	SNACKS 20X60
9615	RAA	CR/CRNR 12X60
9770	011	WATER BX72
9439	RA	WARM JUIC 8X78
9236	008	10 FOR \$10 PERM 8X78
9270	0	FILM W/O LAB 4X78
9279	RAA	PREPAID PHONE FLOORSTAND DISPL.

FIXTURE NEEDED:

- NEW LOZIER 48"x16"x78" WALL FIXTURES
- 48" STATIONERY CANDY HEADER LIGHT TYPE A W/COORP
- 48" STATIONERY CANDY HEADER LIGHT TYPE B
- 48" STATIONERY CANDY HEADER LIGHT TYPE C
- 48" PHOTO ORANGE DURATRAN
- PREPAID PHONECAND TOWER

CONSTRUCTION RELATED CHANGES:

REMOVE EXISTING A&S STYLE CAFE PHOTO LAB

INSTALL NEW DIGITAL KIOSK AS SHOWN

INSTALL (7) NEW LOZIER 48"x16"x78" WALL FIXTURES

INSTALL (7) 48" STATIONERY CANDY HEADERS

INSTALL (2) 48" STATIONERY CANDY HEADER LIGHT TYPE A W/COORP

INSTALL (2) 48" STATIONERY CANDY HEADER LIGHT TYPE B

INSTALL (2) 48" STATIONERY CANDY HEADER LIGHT TYPE C

INSTALL (7) 48" PHOTO ORANGE DURATRAN

INSTALL NEW CORNER FILLER BOX AS SHOWN

RE-CARPET PER SCOPE OF WORK

LAYOUT COORDINATOR
GARDNER/01/18/2012

<p>CONSULTANT:</p> <p>CEDARWOOD ARCHITECTURAL, INC.</p> <p>1705 MERRIMAN RD. SPRINGFIELD, IL 62777</p> <p>www.cedarwoodarchitectural.com ARCH: 04-4433 F: 330-991-5448</p>	<p>JOB TYPE: NEW</p> <p>FIXTURE TYPE: LOZIER</p> <p>ARCHITECT INFO:</p> <p>COMPANY NAME: CEDARWOOD</p> <p>ARCHITECT INFO:</p> <p>CONTACT NAME: AMY SANKER</p> <p>CONTACT PHONE: (330) 836-9971 x4110</p> <p>CONTACT EMAIL: dsankers@cedarwood.com</p> <p>CVS STORE LAYOUT INFO:</p> <p>CONTACT NAME: Scott Mackenzie</p> <p>CONTACT PHONE: 401-770-2772</p> <p>CONTACT EMAIL: smackenzie@cv.com</p>	<p>DEVELOPER:</p> <p>CEDARWOOD DEVELOPMENT INC.</p> <p>1765 MERRIMAN RD. AKRON, OH 44313</p> <p>TEL (330) 836-9971 FAX (330) 864-8094</p>	<p>REVISIONS:</p> <p>ISSUED TO SCOPE: 5/6/08</p> <p>ISSUED PERMIT/BID: 5/20/08</p> <p>CVS PROJECT MANAGER: JM</p> <p>DRAWING BY: CAI</p> <p>PROTO DATE: 11 JANUARY 2008</p> <p>JOB NUMBER: 02080022</p> <p>TITLE: PRELIMINARY MERCHANDISE PLAN</p> <p>SHEET NUMBER: F1(P)</p>	<p>COMMENTS:</p> <p>NOT RELEASED FOR CONSTRUCTION</p>
---	---	--	---	---