

E1MG-BX53-SC-C

Brocade® Compatible TAA 1000Base-BX SFP Transceiver (SMF, 1550nmTx/1310nmRx, 20km, SC, DOM)

Features:

- INF-8074 and SFF-8472 Compliance
- Simplex SC Connector
- Single-mode Fiber
- Commercial Temperature 0 to 70 Celsius
- Hot Pluggable
- Metal with Lower EMI
- Excellent ESD Protection
- RoHS Compliant and Lead Free



Applications:

- 1000Base Ethernet
- Access and Enterprise

Product Description

This Brocade® compatible SFP transceiver provides 1000Base-BX throughput up to 20km over single-mode fiber (SMF) using a wavelength of 1550nmTx/1310nmRx via an SC connector. This bidirectional unit must be used with another transceiver or network appliance of complementing wavelengths. It can operate at temperatures between 0 and 70C. Our transceiver is built to meet or exceed OEM specifications and is guaranteed to be 100% compatible with Brocade®. It has been programmed, uniquely serialized, and tested for data-traffic and application to ensure that it will initialize and perform identically. All of our transceivers comply with Multi-Source Agreement (MSA) standards to provide seamless network integration. Additional product features include Digital Optical Monitoring (DOM) support which allows access to real-time operating parameters. We stand behind the quality of our products and proudly offer a limited lifetime warranty.

ProLabs' transceivers are RoHS compliant and lead-free.

TAA refers to the Trade Agreements Act (19 U.S.C. & 2501-2581), which is intended to foster fair and open international trade. TAA requires that the U.S. Government may acquire only "U.S.-made or designated country end products.")



Absolute Maximum Ratings

| Parameter | Symbol | Min. | Typ. | Max. | Unit | Notes |
|----------------------------|--------|------|------|------|------|-------|
| Maximum Supply Voltage | Vcc | -0.5 | | 3.6 | V | |
| Storage Temperature | Tstg | -40 | | 85 | °C | |
| Operating Case Temperature | Tc | 0 | | 70 | °C | |
| Relative Humidity | RH | 5 | | 85 | % | |
| Power Supply Current | Icc | | | 300 | mA | |

Electrical Characteristics

| Parameter | Symbol | Min. | Typ. | Max. | Unit | Notes |
|-------------------------------|----------------------|------|-------|---------|---------|-------|
| Supply Voltage | Vcc | 3.15 | 3.3 | 3.47 | V | |
| 9µm Core Diameter SMF | L | | 20 | | km | |
| Data Rate | GBE | | 1.25 | | Gbps | |
| | FC | | 1.063 | | | |
| Transmitter | | | | | | |
| LVPECL Differential Inputs | VIN | 400 | | 1800 | mVp-p | 1 |
| Input Differential Impedance | ZIN | 90 | 100 | 110 | Ω | 2 |
| Tx_Disable | Disable | | 2 | | Vcc+0.3 | V |
| | Enable | | 0 | | 0.8 | V |
| Tx_Fault | Fault | | 2 | | Vcc+0.3 | V |
| | Normal | | 0 | | 0.8 | V |
| Receiver | | | | | | |
| LVPECL Differential Outputs | VOUT | 400 | | 2000 | mVp-p | 3 |
| Output Differential Impedance | ZOUT | 90 | 100 | 110 | Ω | |
| Tx_Disable Assert Time | T_off | | | 10 | us | |
| Rx_LOS | Loss of Signal (LOS) | | 2 | | Vcc+0.3 | V |
| | Normal Operation | | 0 | | 0.8 | V |
| MOD_DEF(0.2) | VOH | 2.5 | | Vcc+0.3 | V | 4 |
| | VOL | 0 | | 0.5 | V | |

Notes:

1. AC coupled inputs. LVPECL logic. Internal AC coupling.
2. RIN>100kΩ @ DC.
3. AC coupled outputs. LVPECL logic. Internal AC coupling.
4. With serial ID.

Optical Characteristics

| Parameter | Symbol | Min. | Typ. | Max. | Unit | Notes |
|-----------------------------|---------------------------|------|------|------|------|-------|
| Transmitter | | | | | | |
| Center Wavelength | λ_C | 1530 | 1550 | 1570 | nm | |
| Spectral Width (-20dB) | $\Delta\lambda$ | | | 1 | nm | |
| Side-Mode Suppression Ratio | SMSR | 30 | | | dB | |
| Average Output Power | POUT | -9 | | -3 | dBm | 1 |
| Extinction Ratio | ER | 9 | | | dB | |
| Rise/Fall Time (20-80%) | T_r/T_f | | | 0.26 | ns | |
| POUT @ Tx_Disable Asserted | POUT | | | -35 | dBm | |
| Output Optical Eye | Compliant with IEEE 802.3 | | | | | 2 |
| Receiver | | | | | | |
| Center Wavelength | λ_C | 1290 | 1310 | 1330 | nm | |
| Receiver Sensitivity | Pmin | | | -24 | dBm | 3 |
| Receiver Overload | Pmax | -3 | | | dBm | |
| LOS De-Assert | LOSD | | | -25 | dBm | |
| LOS Assert | LOSA | -35 | | | dBm | |
| LOS Hysteresis | | 1 | | 4 | dB | |

Notes:

1. Output power is measured by coupling into a 9/125 μ m single-mode fiber.
2. Filtered. Measured with a PRBS 2^7-1 test pattern @1250Mbps.
3. Minimum average optical power is measured at BER less than $1E^{-12}$ with 2^7-1 PRBS and ER=9dB.

Pin Descriptions

| Pin | Symbol | Name/Description | Plug Seq. | Note |
|-----|-------------|---|-----------|------------------------|
| 1 | VeeT | Transmitter Ground. | 1 | 5 |
| 2 | Tx_Fault | Transmitter Fault Indication. | 3 | 1 |
| 3 | Tx_Disable | Transmitter Disable. Module disables on "high" or "open." | 3 | 2 |
| 4 | MOD_DEF2 | Module Definition 2. 2-Wire Serial ID Interface. | 3 | 3 |
| 5 | MOD_DEF1 | Module Definition 1. 2-Wire Serial ID Interface. | 3 | 3 |
| 6 | MOD_DEF0 | Module Definition 0. 2-Wire Serial ID Interface. | 3 | 3 |
| 7 | Rate Select | Not Connected. | 3 | Function Not Available |
| 8 | LOS | Loss of Signal. | 3 | 4 |
| 9 | VeeR | Receiver Ground. | 1 | 5 |
| 10 | VeeR | Receiver Ground. | 1 | 5 |
| 11 | VeeR | Receiver Ground. | 1 | 5 |
| 12 | RD- | Inverse Received Data Out. | 3 | 6 |
| 13 | RD+ | Received Data Out. | 3 | 7 |
| 14 | VeeR | Receiver Ground. | 1 | 5 |
| 15 | VccR | 3.3 ± 5% Receiver Power. | 2 | 7 |
| 16 | VccT | 3.3 ± 5% Transmitter Power. | 2 | 7 |
| 17 | VeeT | Transmitter Ground. | 1 | 5 |
| 18 | TD+ | Transmitter Data In. | 3 | 8 |
| 19 | TD- | Inverse Transmitter Data In. | 3 | 8 |
| 20 | VeeT | Transmitter Ground. | 1 | 5 |

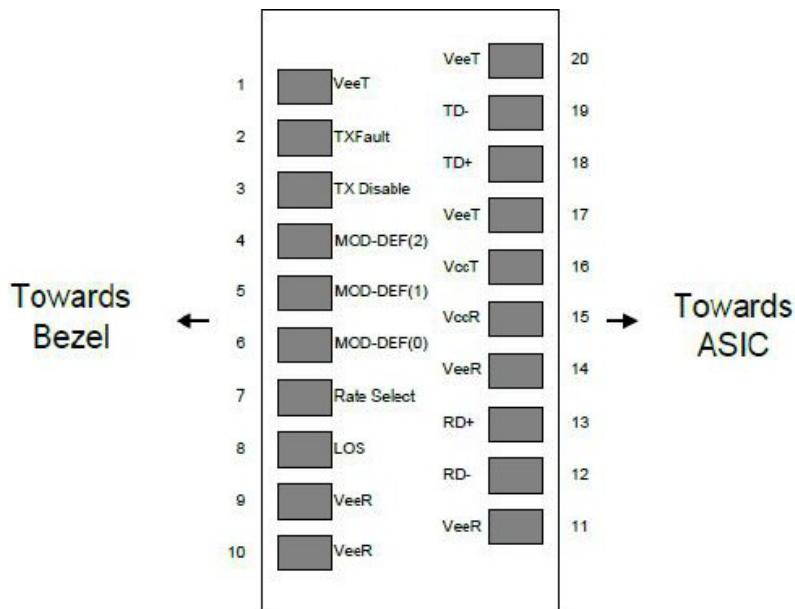
Notes:

1. Tx_Fault is an open collector/drain output that should be pulled up with a 4.7kΩ to 10kΩ resistor on the host board. Pull up voltage between 2.0V and VccT/R+0.3V. When "high," output indicates a laser fault of some kind. "Low" indicates normal operation. In the "low" state, the output will be pulled to <0.8V.
2. Tx_Disable is an input that is used to shut down the transmitter optical output. It is pulled up within the module with a 4.7kΩ to 10kΩ resistor. Its states are:
 - Low (0V–0.8V): Transmitter On.
 - (>0.8, <2.0V): Undefined.
 - High (2.0V–3.465V): Transmitter Disabled.
 - Open: Transmitter Disabled.
3. MOD_DEF0, 1, and 2. These are the module definition pins. They should be pulled up with a 4.7kΩ to 10kΩ resistor on the host board. The pull-up voltage shall be VccT or VccR.
 - MOD_DEF0 is grounded by the module to indicate that the module is present.
 - MOD_DEF1 is the clock line of 2-wire serial interface for serial ID.

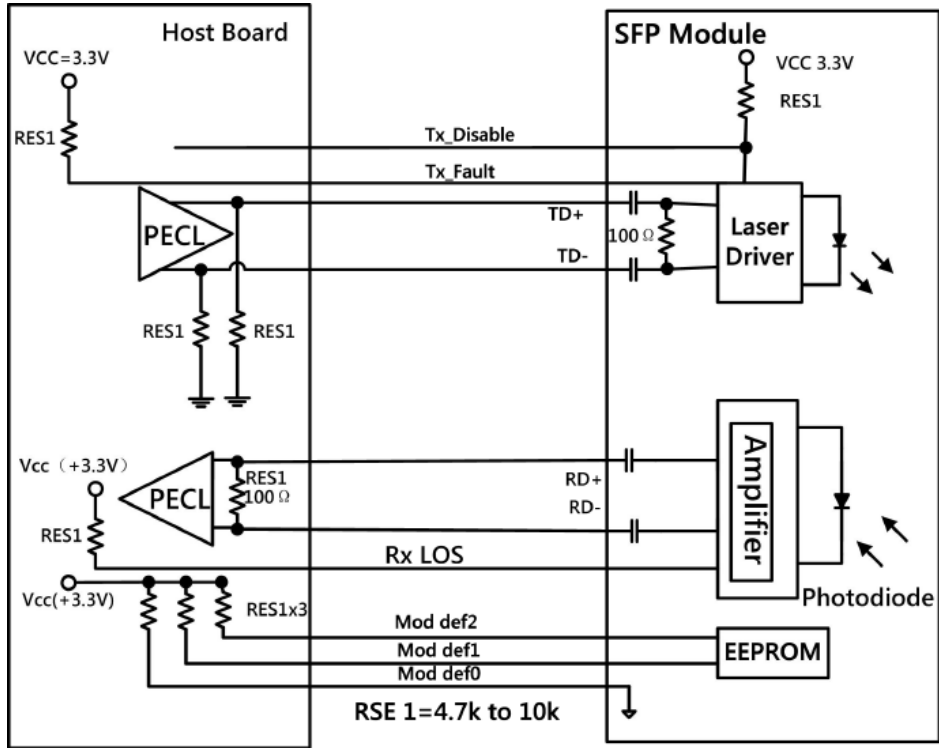
MOD_DEF2 is the data line of 2-wire serial interface for serial ID.

4. LOS (Loss of Signal) is an open collector/drain output that should be pulled up with a 4.7kΩ to 10kΩ resistor. Pull-up voltage between 2.0V and $V_{ccT}/R+0.3V$. When “high,” this output indicates the received optical power is below the worst-case receiver sensitivity (as defined by the standard in use). “Low” indicates normal operation. In the “low” state, the output will be pulled to <0.8V.
5. VeeR and VeeT may be internally connected within the SFP module.
6. RD-/+ . These are the differential receiver outputs. They are AC coupled 100kΩ (differential) lines which should be terminated with 100kΩ (differential) at the user SERDES. The AC coupling is done inside the module and is thus not required on the host board. The voltage swing on these lines will be between 400mV and 2000mV differential (200mV–1000mV single-ended) when properly terminated.
7. VccR and VccT are the receiver and transmitter power supplies. They are defined as $3.3V\pm5\%$ at the SFP connector pin. Maximum supply current is 300mA. Recommended host board power supply filtering is shown below. Inductors with DC resistance of less than 1Ω should be used in order to maintain the required voltage at the SFP input pin with 3.3V supply voltage. When the recommended supply-filtering network is used, hot-plugging of the SFP transceiver module will result in an in-rush current of no more than 30mA greater than the steady state value. VccR and VccT may be internally connected within the SFP transceiver module.
8. TD-/+ . These are the differential transmitter inputs. They are AC-coupled, differential lines with 100 differential terminations inside the module. The AC coupling is done inside the module and is thus not required on the host board. The inputs will accept differential swings of 400mV-2000mV (200mV-1000mV single-ended).

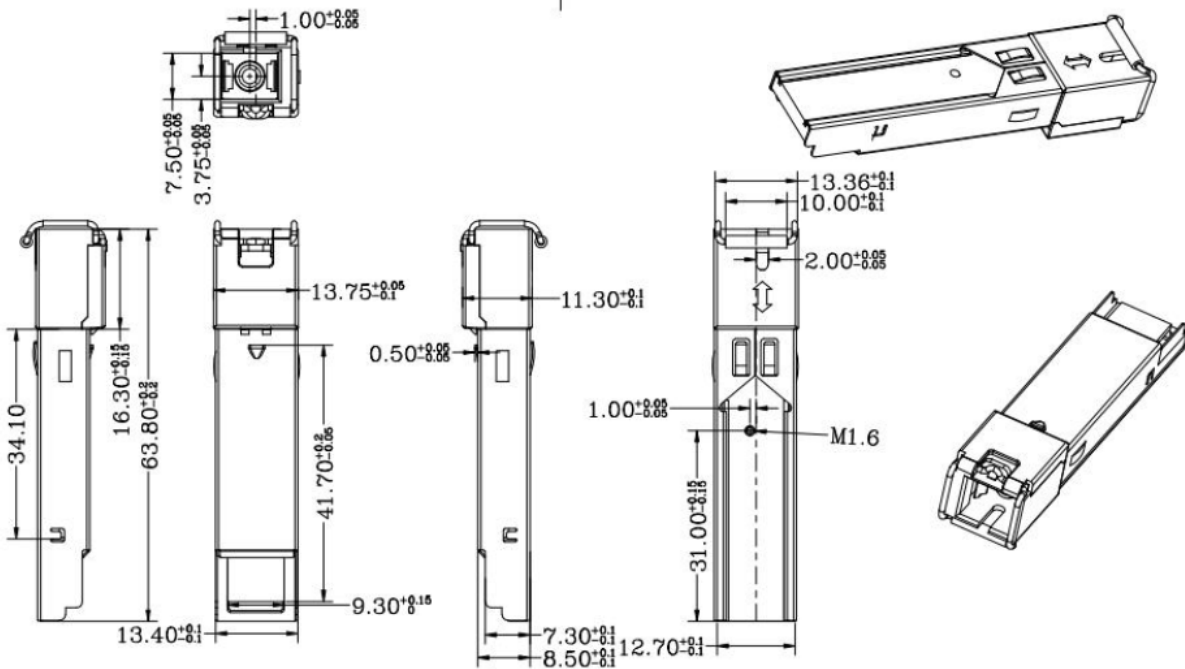
Electrical Pin-Out Details



Recommended Application Interface Block Diagram



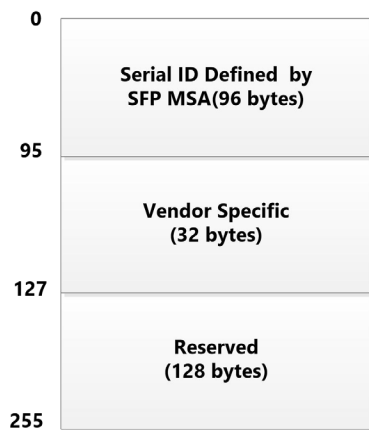
Mechanical Specifications



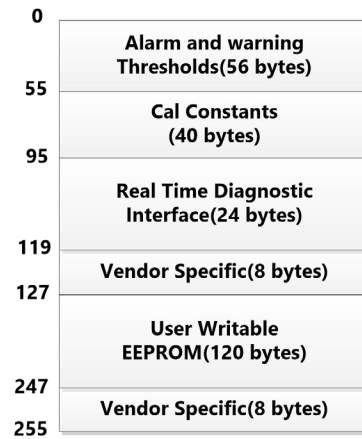
EEPROM Information

The serial interface uses the 2-wire serial CMOS EEPROM protocol defined. When the serial protocol is activated, the host generates the serial clock signal (SCL). The positive edge clocks data into those segments of the EEPROM that are not write protected within the SFP transceiver. The negative edge clocks data from the SFP transceiver. The serial data signal (SDA) is bi-directional for serial data transfer. The host uses SDA in conjunction with SCL to mark the start and end of serial protocol activation. The memories are organized as a series of 8-bit data words that can be addressed individually or sequentially. The module provides diagnostic information about the present operating conditions. The transceiver generates this diagnostic data by digitization of internal analog signals. Calibration and alarm/warning threshold data is written during device manufacture. Received power monitoring, transmitted power monitoring, bias current monitoring, supply voltage monitoring and temperature monitoring all are implemented. If the module is defined as external calibrated, the diagnostic data are raw A/D values and must be converted to real world units using calibration constants stored in EEPROM locations 56 – 95 at wire serial bus address A2h. The digital diagnostic memory map specific data field define as following. For detail EEPROM information, please refer to the related document of SFF8472 Rev 10.2.

2 wire address 1010000X(A0h)



2 wire address 1010000X (A2h)



About ProLabs

Our extensive experience comes as standard. For over 20 years ProLabs has delivered optical connectivity solutions that give our customers freedom and choice through our ability to provide seamless interoperability. At the heart of our company is the ability to provide state-of-the-art optical transport and connectivity solutions that are compatible with more than 100 optical switching and transport platforms.

A Complete Portfolio of Network Solutions

ProLabs is focused on innovations in optical transport and connectivity. The combination of our knowledge of optics and networking equipment enables ProLabs to be your single source for optical transport and connectivity solutions from 100Mb to 1.6T while providing innovative solutions that increase network efficiency. We provide the optical connectivity expertise that is compatible with and enhances your switching and transport equipment.

The Trusted Partner

Customer service is our number one value. ProLabs has invested in people, labs and manufacturing capacity to ensure compatible products, and immediate answers to your questions. With Engineering and Manufacturing offices in the U.K. and U.S. augmented by field offices throughout the U.S., U.K. and Asia, ProLabs is able to be our customers best advocate 24 hours a day.



Contact Information

ProLabs US

Email: sales@prolabs.com

Telephone: 952-852-0252

ProLabs UK

Email: salessupport@prolabs.com

Telephone: +44 1285 719 600