

SFP-1000BASE-EZX-160-I-C-AO

Cisco® Compatible TAA 1000Base-ZX SFP Transceiver (SMF, 1550nm, 160km, LC, DOM, -40 to 85C)

Features

- Duplex LC Connector
- 1550nm DFB Laser Transmitter
- Operating Data Rate up to 1.25Gbps
- Single 3.3V Power Supply and LVTTTL Logic Interface
- Hot-Pluggable
- Class 1 Laser Safety Complaint
- RoHS Compliant and Lead-Free
- Operating Temperature: -40 to 85 Celsius
- Excellent ESD Protection
- Metal with Lower EMI
- RoHS Compliant and Lead Free



Applications

- 1x Fibre Channel
- 1000Base-ZX Ethernet
- Access and Enterprise

Product Description

This Cisco® compatible SFP transceiver provides 1000Base-ZX throughput up to 160km over single-mode fiber (SMF) using a wavelength of 1550nm via an LC connector. It is capable of withstanding -40 to 85C environments and can operate at temperatures between -40 and 85C. It is guaranteed to be 100% compatible with the equivalent Cisco® transceiver. This easy to install, hot swappable transceiver has been programmed, uniquely serialized and data-traffic and application tested to ensure that it will initialize and perform identically. Digital optical monitoring (DOM) support is also present to allow access to real-time operating parameters. This transceiver is Trade Agreements Act (TAA) compliant. We stand behind the quality of our products and proudly offer a limited lifetime warranty.

AddOn's transceivers are RoHS compliant and lead-free.

TAA refers to the Trade Agreements Act (19 U.S.C. & 2501-2581), which is intended to foster fair and open international trade. TAA requires that the U.S. Government may acquire only "U.S.-made or designated country end products."



Absolute Maximum Ratings

Parameter	Symbol	Min.	Typ.	Max.	Unit	Notes
Operating Case Temperature	Tc	-40		85	°C	
Storage Temperature	Tstg	-40		85	°C	
Relative Humidity	RH			95	%	
Data Rate	GBE	DR		1.25	Gbps	
	FC			1.063		
9µm Core Diameter SMF	L		160		km	

Electrical Characteristics

Parameter	Symbol	Min.	Typ.	Max.	Unit	Notes
Power Supply Voltage	Vcc	3.15	3.3	3.45	V	
Power Supply Current	Icc			300	mA	
Transmitter						
LVPECL Differential Input	VIN	500		2400	mVp-p	1
Input Differential Impedance	ZIN	85	100	115	Ω	2
Tx_Disable	Disable	2		Vcc+0.3	V	
	Enable	0		0.8	V	
Tx_Fault	Fault	2		Vcc+0.3	V	
	Normal	0		0.8	V	
Receiver						
LVPECL Differential Output	VOUT	370		2000	mVp-p	3
Output Differential Impedance	ZOUT	85	100	115	Ω	
Rx_LOS	LOS	2		Vcc+0.3	V	
	Normal	0		0.8	V	
MOD_DEF(0.2)	VOH	2.5			V	
	VOL	0		0.8	V	4

Notes:

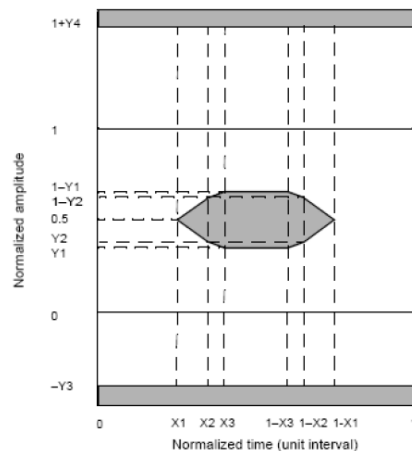
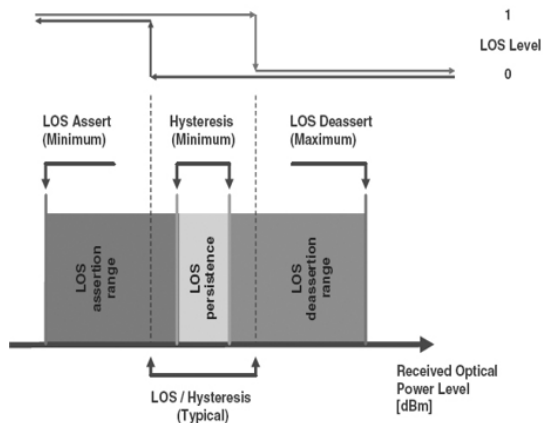
1. AC coupled inputs. LVPECL logic. Internally AC coupled.
2. RIN > 100kΩ @DC.
3. AC coupled outputs. LVPECL logic. Internally AC coupled.
4. With serial ID.

Optical Characteristics

Parameter	Symbol	Min.	Typ.	Max.	Unit	Notes
Transmitter						
Center Wavelength	λ_C	1500	1550	1580	nm	
Spectral Width (-20dB)	$\Delta\lambda$			1	nm	
Average Output Power	POUT	3		7	dBm	1
Side-Mode Suppression Ratio	SMSR	30			dB	2
Extinction Ratio	ER	9			dB	
Rise/Fall Time (20-80%)	T_r/T_f			0.26	ns	
POUT @Tx_Disable Asserted	POUT			-45	dBm	
Total Jitter	TJ			0.43	UI	
Tx Disable Assert Time	T_{off}			10	us	
Output Optical Eye	Compliant with IEEE 802.3ah-2004					2, 6
Receiver						
Center Wavelength	λ_C	1260		1600	nm	
Receiver Sensitivity	P_{min}			-37	dBm	3
Receiver Overload	P_{max}	-10			dBm	
Return Loss		12			dB	
Optical Path Penalty				1	dB	4
LOS Assert	LOSA	-45			dBm	
LOS De-Assert	LOSD			-38	dBm	
LOS Hysteresis	LOSH	0.5			dB	5

Notes:

- Output is coupled into a 9/125 μ m SMF.
- Filtered, measured with a PRBS 2⁷-1 test pattern @1.25Gbps.
- Minimum average optical power is measured at BER less than 1E⁻¹² with a 2⁷-1 NRZ PRBS and ER=9dB.
- Measured with a PRBS 2⁷-1 test pattern @1.25Gbps, G.652 SMF, BER $\leq 1 \times 10^{-10}$.
- LOS Hysteresis.
- Eye Pattern Mask.



Pin Descriptions

Pin	Symbol	Name/Description	Plug Seq.	Notes
1	VeeT	Transmitter Ground.	1	5
2	Tx_Fault	Transmitter Fault Indication.	3	1
3	Tx_Disable	Transmitter Disable. Module disables on “high” or “open.”	3	2
4	MOD_DEF2	SDA. 2-Wire Serial ID Interface.	3	3
5	MOD_DEF1	SCL. 2-Wire Serial ID Interface.	3	3
6	MOD_DEF0	MOD_ABS. Grounded within the module.	3	3
7	Rate Select	No User Connection. Function not available.	3	
8	LOS	Loss of Signal.	3	4
9	VeeR	Receiver Ground.	1	5
10	VeeR	Receiver Ground.	1	5
11	VeeR	Receiver Ground.	1	5
12	RD-	Receiver Inverse Data Out.	3	6
13	RD+	Receiver Data Out.	3	7
14	VeeR	Receiver Ground.	1	5
15	VccR	3.3 ± 5% Receiver Power.	2	7
16	VccT	3.3 ± 5% Transmitter Power.	2	7
17	VeeT	Transmitter Ground.	1	5
18	TD+	Transmitter Data In.	3	8
19	TD-	Transmitter Inverse Data In.	3	8
20	VeeT	Transmitter Ground.	1	5

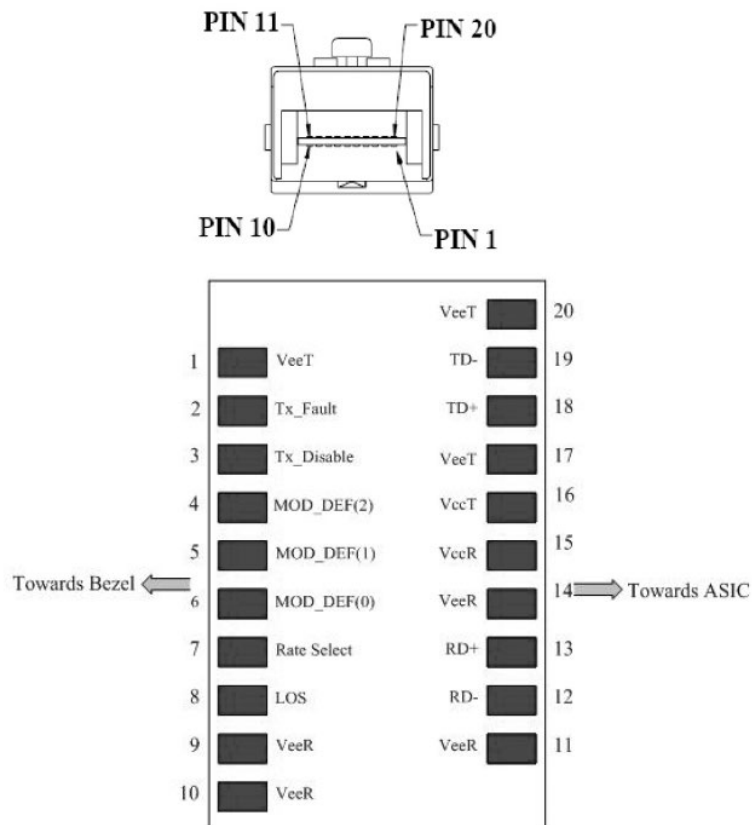
Notes:

1. Tx_Fault is an open collector/drain output that should be pulled up with a 4.7kΩ to 10kΩ resistor on the host board. Pull-up voltage between 2.0V and VccT/R+0.3V. When “high,” output indicates a laser fault of some kind. “Low” indicates normal operation. In the “low” state, the output will be pulled to <0.8V.
2. Tx_Disable is an input that is used to shut down the transmitter optical output. It is pulled up within the module with a 4.7kΩ to 10kΩ resistor. Its states are:
 - Low (0V – 0.8V): Transmitter On
 - (>0.8V, <2.0V): Undefined
 - High (2.0V – 3.465V): Transmitter Disabled
 - Open: Transmitter Disabled.
3. MOD-DEF0, 1, & 2. These are the module definition pins. They should be pulled up with a 4.7kΩ to 10kΩ resistor on the host board. The pull-up voltage shall be VccT or VccR.
 - MOD-DEF0 is grounded by the module to indicate that the module is present.
 - MOD-DEF1 is the clock line of the 2-wire serial interface for serial ID.
 - MOD-DEF2 is the data line of the 2-wire serial interface for serial ID.
4. LOS (Loss of Signal) is an open collector/drain output that should be pulled up with a 4.7kΩ to 10kΩ

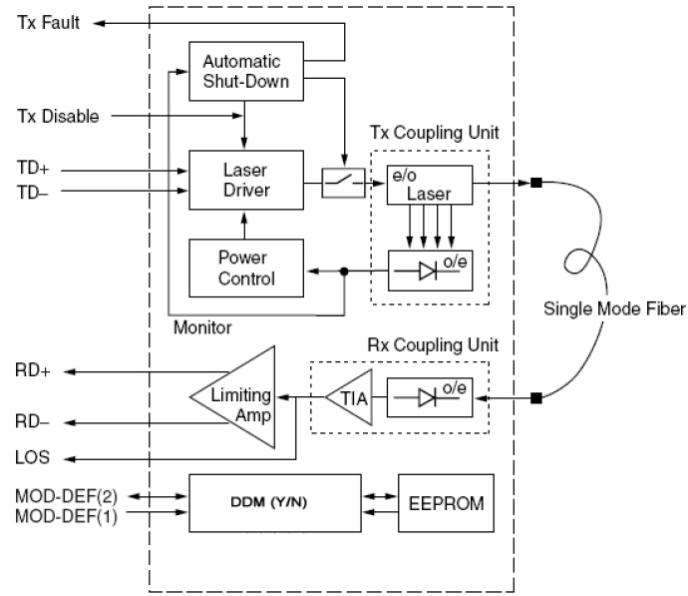
resistor. Pull-up voltage between 2.0V and $V_{ccT}/R+0.3V$. When “high,” this output indicates that the received optical power is below the worst-case receiver sensitivity (as defined by the standard in use). “Low” indicates normal operation. In the “low” state, the output will be pulled to $<0.8V$.

5. VeeR and VeeT may be internally connected within the SFP module.
6. RD-/+ . These are the differential receiver outputs. They are AC-coupled, 100Ω differential lines that should be terminated with 100Ω (differential) at the user SERDES. The AC coupling is done inside the module and is thus not required on the host board.
7. VccR and VccT are the receiver and transmitter power supplies. They are defined as $3.3V \pm 5\%$ at the SFP connector pin. Maximum supply current is 300mA. Recommended host board power supply filtering is shown below. Inductors with DC resistance of less than 1Ω should be used in order to maintain the required voltage at the SFP input pin with 3.3V supply voltage. When the recommended supply filtering network is used, hot-plugging of the SFP transceiver module will result in an in-rush current of no more than 30mA greater than the steady state value. VccR and VccT may be internally connected within the SFP transceiver module.
8. TD-/+ . These are the differential transmitter inputs. They are AC-coupled, differential lines with 100Ω differential termination inside the module. The AC coupling is done inside the module.

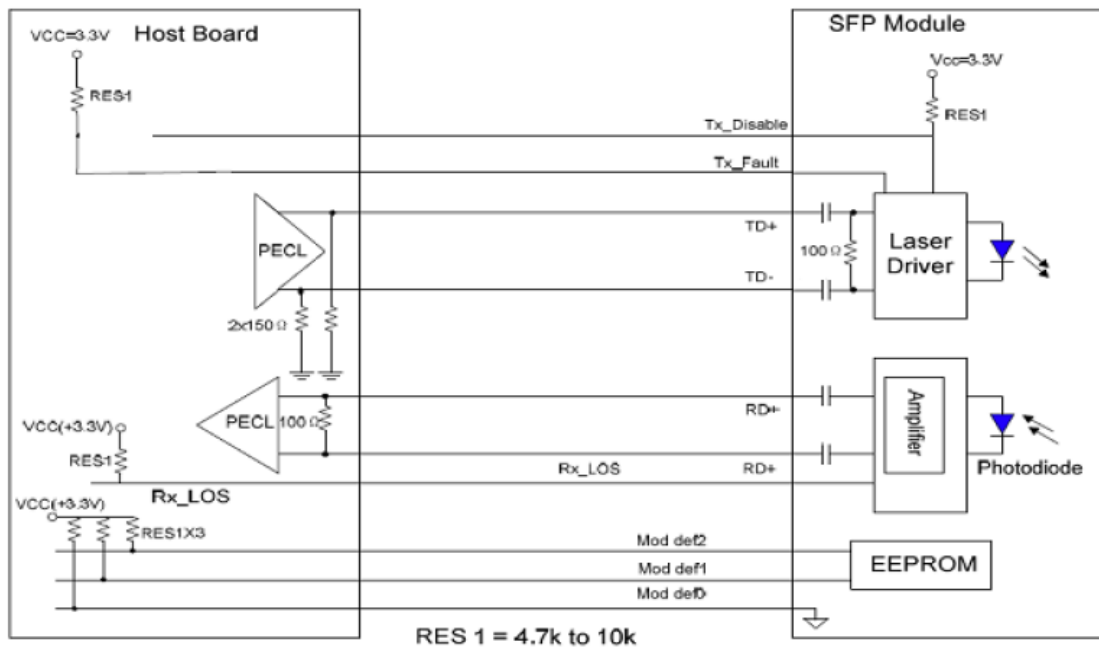
Electrical Pad Layout



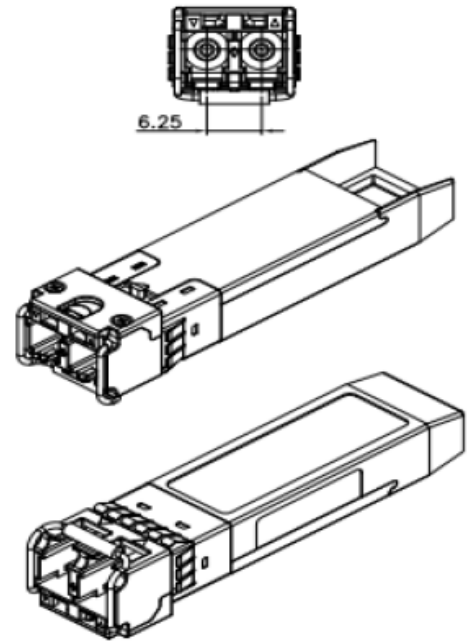
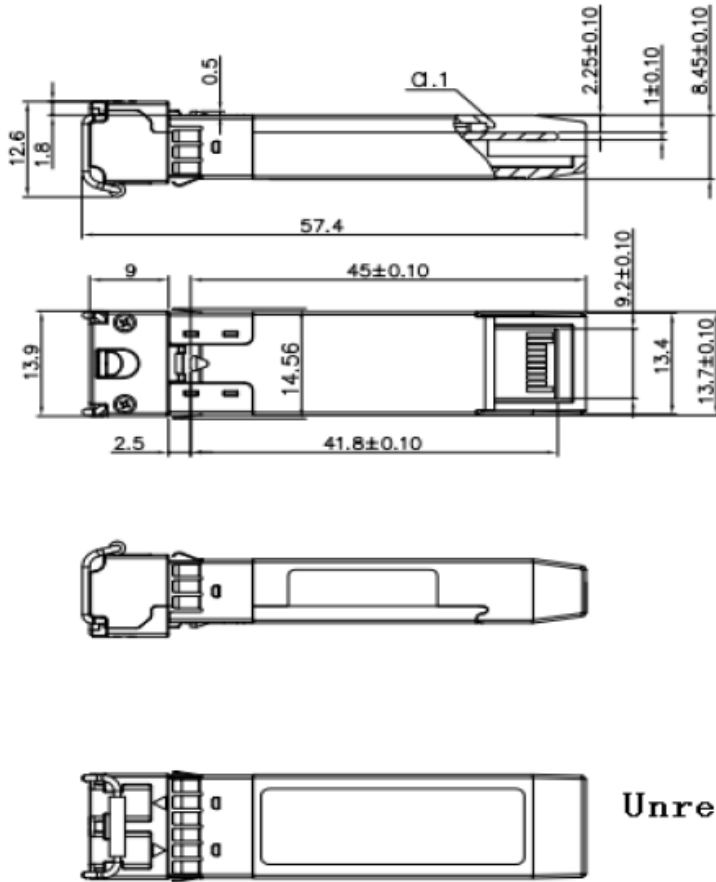
Functional Description



Recommended Circuit Schematic

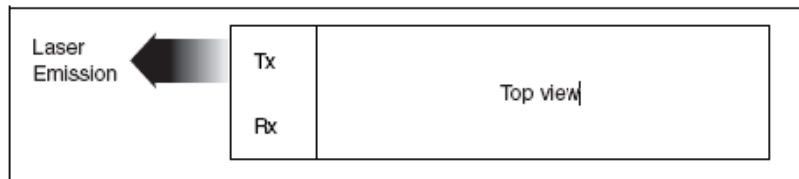


Mechanical Specifications



Unremarked tolerances $\pm 0.2\text{mm}$

Laser Emission



About AddOn Networks

In 1999, AddOn Networks entered the market with a single product. Our founders fulfilled a severe shortage for compatible, cost-effective optical transceivers that compete at the same performance levels as leading OEM manufacturers. Adhering to the idea of redefining service and product quality not previously had in the fiber optic networking industry, AddOn invested resources in solution design, production, fulfillment, and global support.

Combining one of the most extensive and stringent testing processes in the industry, an exceptional free tech support center, and a consistent roll-out of innovative technologies, AddOn has continually set industry standards of quality and reliability throughout its history.

Reliability is the cornerstone of any optical fiber network and is ingrained in AddOn's DNA. It has played a key role in nurturing the long-term relationships developed over the years with customers. AddOn remains committed to exceeding industry standards with certifications ranging from NEBS Level 3 to ISO 9001:2015 with every new development while maintaining the signature reliability of its products.



U.S. Headquarters

Email: sales@addonnetworks.com

Telephone: +1 877.292.1701

Fax: 949.266.9273

Europe Headquarters

Email: salesemea@addonnetworks.com

Telephone: +44 1285 842070