



SRX-SFP-1GE-T-ET-OPC

Cisco® SRX-SFP-1GE-T-ET Compatible TAA 10/100/1000Base-TX SFP Transceiver (Copper, 100m, RJ-45, -40 to 85C)

Features

- INF-8074 Compliance
- RJ-45 Connector
- Copper Media Type
- Industrial Temperature -40 to 85 Celsius
- Hot Pluggable
- Metal with Lower EMI
- Excellent ESD Protection
- RoHS Compliant and Lead Free



Applications:

- 1000Base Ethernet
- Access and Enterprise

Product Description

This Cisco® SRX-SFP-1GE-T-ET compatible SFP transceiver provides 10/100/1000Base-TX throughput up to 100m over a copper connection via a RJ-45 connector. This TX module supports 10/100/1000Base auto-negotiation and can be configured to fit your needs. It is guaranteed to be 100% compatible with the equivalent Cisco® transceiver. This easy to install, hot swappable transceiver has been programmed, uniquely serialized and data-traffic and application tested to ensure that it will initialize and perform identically. It is built to meet or exceed the specifications of Cisco®, as well as to comply with MSA (Multi-Source Agreement) standards to ensure seamless network integration. This transceiver is Trade Agreements Act (TAA) compliant. We stand behind the quality of our products and proudly offer a limited lifetime warranty.

OptioConnect's transceivers are RoHS compliant and lead-free.

Absolute Maximum Ratings

Parameter	Symbol	Min.	Typ.	Max.	Unit	Notes
Data Rate	DR	10		1000	Mb/sec	2
Cable Length	CL			100	m	3
Bit Error Rate	BER			10		
Operating Temperature	TOP	-40		85	°C	4
Storage Temperature	TSTO	-40		85	°C	5
Supply Current	IS		320	375	mA	6
Input Voltage	VCC	3.14	3.3	3.46	V	7
Maximum Voltage	VMAX			4	V	6

Notes:

1. IEEE 802.3 compatible
2. Category 5 UTP
3. Case Temperature
4. Ambient Temperature
5. For electrical power interface
6. Referenced to GND. For electrical power interface

Electrical Characteristics

Parameter	Symbol	Min.	Typ.	Max.	Unit	Notes	
High Speed Electrical Interface Host-SFP							
Single ended Input Swing	V _{IN}	250		1200	mV	1	
Single ended output Swing	V _{OUT}	275		800	mV	1	
Rise time (20%-80%)	T _R		175		ps		
Fall Time (20%-80%)	T _F		175		ps		
Tx Input Impedance	Z _{IN}		50		ohm	1	
Rx Output Impedance	Z _{OUT}		50		ohm	1	
High Speed Electrical Interface Transmission Line-SFP							
Line Frequency	FL		125		MHz	2	
Tx Output Impedance Differential	Z _{OUT_TX}		100		Ohm	3	
Rx Input Impedance Differential	Z _{IN_RX}		100		Ohm	3	
Low Speed Electrical Signal							
SFP Output	Low	V _{OL}	0		0.5	V	4
	High	V _{OH}	Host_Vcc -0.5		Host_Vcc +0.3	V	4
SFP Input	Low	V _{IL}	0		0.8	V	4
	High	V _{IH}	2		VCC + 0.3	V	4

Notes:

1. Single ended
2. 5-level encoding
3. For all frequencies between 1MHz and 125MHz
4. External 4.7-10k ohm pull-up resistor required

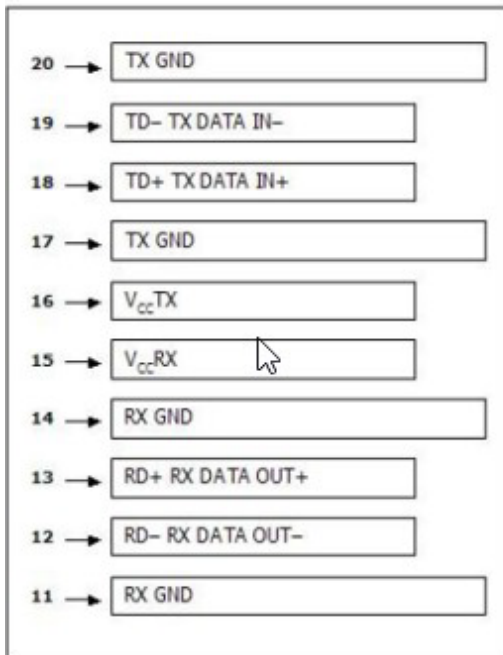
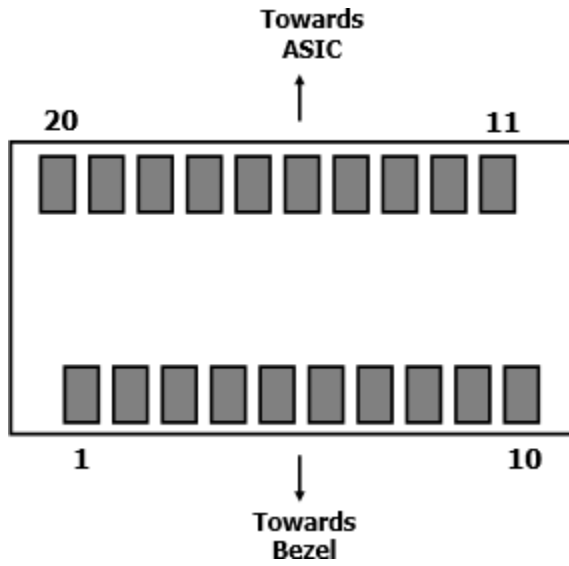
Pin Descriptions

Pin	Symbol	Name/Descriptions	Ref.
1	VEET	Transmitter ground (common with receiver ground)	1
2	TX_FAULT	Transmitter Fault. Not supported	
3	TX_DISABLE	Transmitter Disable. PHY disabled on high or open	2
4	MOD_DEF (2)	Module Definition 2. Data line for serial ID	3
5	MOD_DEF (1)	Module Definition 1. Clock line for serial ID	3
6	MOD_DEF (0)	Module Definition 0. Grounded within the module	3
7	Rate Select	No connection required	
8	RX_LOS	Loss of Signal	
9	VEER	Receiver ground (common with transmitter ground)	1
10	VEER	Receiver ground (common with transmitter ground)	1
11	VEER	Receiver ground (common with transmitter ground)	1
12	RD-	Receiver Inverted DATA out. AC coupled	
13	RD+	Receiver Non-inverted DATA out. AC coupled	
14	VEER	Receiver ground (common with transmitter ground)	1
15	VCCR	Receiver power supply	
16	VCCT	Transmitter power supply	
17	VEET	Transmitter ground (common with receiver ground)	1
18	TD+	Transmitter Non-Inverted DATA in. AC coupled	
19	TD-	Transmitter Inverted DATA in. AC coupled	
20	VEET	Transmitter ground (common with receiver ground)	1

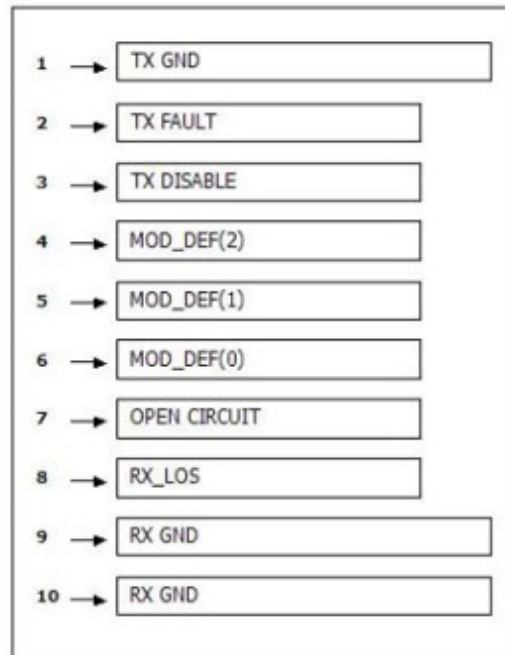
Notes:

1. Circuit ground is connected to chassis ground
2. Disabled: TX_DISABLE > 2V or open, Enabled: TX_DISABLE < 0.8V
3. Should be pulled up with 4.7k-10k ohm on host board to a voltage between 2V and 3.6V

Electrical Pad Layout

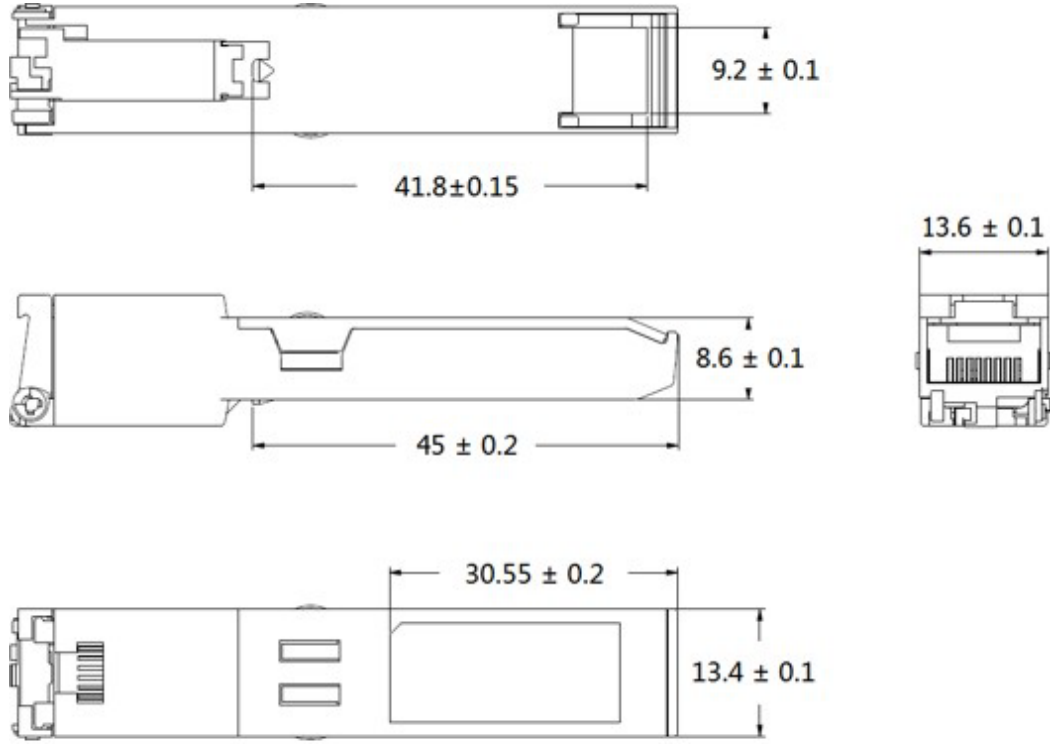


Top of Board



Bottom of Board

Mechanical Specifications



UNIT: mm

OptioConnect

Innovation for the Future of High-Speed Networking

Who We Are

OptioConnect is reshaping the landscape of communication and high-speed networking through intelligent technology. With a core focus on cutting edge technology, we deliver smarter fiber optic solutions for enterprise networks, data centers, and next-gen telecom infrastructures.

What We Do

At OptioConnect, we fuse advanced engineering with intelligent automation to drive the future of networking. Our AI-integrated solutions are designed to optimize performance and streamline operations with:

- Superior Performance
- Network and traffic optimization
- Intelligent energy management
- Seamless OEM compatibility
- Scalable cost-efficiency

Smarter Networks by Design

Innovation isn't just a goal—it's our process. We embed AI and machine learning across our R&D and product lines, enabling adaptive performance, automated tuning, and faster deployment cycles. The result? Networks that don't just work—they learn, evolve, and outperform.

Our Team

Our engineers, data scientists, and network architects bring decades of experience and a future-focused mindset. We provide hands-on support with intelligent insights that turn complex challenges into simple solutions.

Our Mission

To deliver AI-enhanced connectivity that reduces cost, increases speed, and maximizes efficiency—empowering our partners to operate at the forefront of a rapidly evolving digital world.

Let's Connect

Discover how OptioConnect's intelligent infrastructure solutions can power your network's next leap forward.

www.optioconnect.com | info@optioconnect.com

