

SFP56-50GBASE-LR-C-AO

Cisco® Compatible TAA 50GBase-LR SFP56 Transceiver (SMF, 1310nm, 10km, LC, DOM)

Features

- SFF-8431 and SFF-8472 Compliance
- Up to 53Gb/s bi-directional data links
- SFP56 package with duplex LC connector
- Cooled 1310 EML Transmitter
- PIN Receiver
- Single-mode Fiber
- Single +3.3V power supply
- Build-in DSP
- 2.5W maximum power consumption
- Class 1 laser safety certified
- Operating Temperature: 0C to 70C
- RoHS Compliant



Applications

- 50GBase Ethernet
- Access and Enterprise

Product Description

This Cisco® compatible SFP56 transceiver provides 50GBase-LR throughput up to 10km over single-mode fiber (SMF) using a wavelength of 1310nm via an LC connector. Our transceiver is built to meet or exceed OEM specifications and is guaranteed to be 100% compatible with Cisco®. It has been programmed, uniquely serialized, and tested for data-traffic and application to ensure that it will initialize and perform identically. All of our transceivers comply with Multi-Source Agreement (MSA) standards to provide seamless network integration. Additional product features include Digital Optical Monitoring (DOM) support which allows access to real-time operating parameters. This transceiver is Trade Agreements Act (TAA) compliant. We stand behind the quality of our products and proudly offer a limited lifetime warranty.

AddOn's transceivers are RoHS compliant and lead-free.

TAA refers to the Trade Agreements Act (19 U.S.C. & 2501-2581), which is intended to foster fair and open international trade. TAA requires that the U.S. Government may acquire only "U.S.-made or designated country end products."



Regulatory Compliance

- ESD to the Electrical PINs: compatible with MIL-STD-883E Method 3015.4
- ESD to the LC Receptacle: compatible with IEC 61000-4-3
- EMI/EMC compatible with FCC Part 15 Subpart B Rules, EN55022:2010
- Laser Eye Safety compatible with FDA 21CFR, EN60950-1& EN (IEC) 60825-1,2
- RoHS compliant with EU RoHS 2.0 directive 2015/863/EU

Absolute Maximum Ratings

Parameter	Symbol	Min.	Typ.	Max.	Unit
Maximum Supply Voltage	V _{cc}	-0.5		4.0	V
Storage Temperature	T _S	-40		85	°C
Operating Case Temperature	T _c	0	25	70	°C
Relative Humidity	RH	5		95	%
Data Rate		10.3125		53.125	Gbps

Electrical Characteristics (TOP=25°C, V_{cc}=3.3Volts)

Parameter	Symbol	Min.	Typ.	Max.	Unit	Notes	
Power Supply Voltage	V _{cc}	3.135	3.3	3.465	V		
Module Supply Current	I _{cc}			760	mA		
Power Dissipation	P _D			2500	mW		
Transmitter							
Differential data input swing	V _{in} , p-p			900	mVp-p		
Input differential impedance	Z _{in}	90	100	110	Ω		
TX_FAULT	Transmitter Fault	V _{OH}	2.0		V _{CCHOST}	V	
	Normal Operation	V _{OL}	0		0.8	V	
TX_DISABLE	Transmitter Disable	V _{IH}	2.0		V _{CCHOST}	V	
	Transmitter Enable	V _{IL}	0		0.8	V	
Receiver							
Differential data output swing	V _{out} , p-p			900	mVp-p	1	
Output differential impedance	Z _o	90	100	110	Ω		
Data Output Rise Time, Fall Time	t _r , t _f	9.5			ps	2	
RX_LOS	Loss of signal (LOS)	V _{OH}	2.0		V _{CCHOST}	V	3
	Normal Operation	V _{OL}	0		0.8	V	3

Notes:

1. Internally AC coupled, but requires an external 100Ω differential load termination.

2. 20 – 80 %.
3. LOS is an open collector output. Should be pulled up with 4.7k Ω on the host board.

Optical Characteristics

Parameter	Symbol	Min.	Typ.	Max.	Unit	Notes
Transmitter						
Launch Optical Power (average@50G PAM4)	P _{av}	-4.5		+4.2	dBm	1
Launch Optical Power (OMA@50G PAM4)	P _o	-1.5		+4	dBm	1
Launch Optical Power (average@10G&25G NRZ)	P _{av}	-5		+2	dBm	1
Launch Optical Power (OMA@10G&25G NRZ)	P _o	-4		+2.2	dBm	1
TDECQ (50G PAM4)	TDECQ			3.2	dB	
Extinction Ratio	ER	3.5			dB	
Center Wavelength Range	λ_c	1304.5		1317.5	nm	
Spectral Width	$\Delta\lambda$			1	nm	2
Side Mode suppression Ratio	SMSR	35			dB	
Optical Return Loss Tolerance	ORLT			15.1	dB	
Pout @TX-Disable Asserted	P _{off}			-30	dBm	
Receiver						
50G Receiver Sensitivity (average)	R _{av}			-10.8	dBm	3
50G Receiver Sensitivity (OMA)	R _{oma}			-7.7	dBm	3
25G Receiver Sensitivity (average)	R _{av}			-12	dBm	4
25G Receiver Sensitivity (OMA)	R _{oma}			-11.3	dBm	4
10G Receiver Sensitivity (average)	R _{av}			-12	dBm	5
10G Receiver Sensitivity (OMA)	R _{oma}			-11.3	dBm	5
Receiver Overload	P _{av}	+4.2			dBm	
Optical Wavelength Range	λ_c	1260		1340	nm	
Receiver Reflectance				-26	dB	
LOS De-Assert	LOS _D			-12	dBm	
LOS Assert	LOS _A	-20			dBm	
LOS Hysteresis		0.5			dB	

Notes:

1. Class 1 Laser Safety per FDA/CDRH and EN (IEC) 60825 regulations.
2. 20dB spectral width.
3. Measured with PRBS 2³¹-1 at 2.4 \times 10⁻⁴ BER.
4. Measured with PRBS 2³¹-1 at 5 \times 10⁻⁵ BER.

5. Measured with PRBS $2^{31}-1$ at 1×10^{-12} BER.

Multi-rate Functionality

Through the I2C interface, the data rate ranges can be set through byte 110 & byte 118 (in the 0xA2)

Bit 110.3 soft RS0	Bit 118.3 soft RS1	Data Rate
0	0	10.31Gbps
0	1	NA
1	0	25.78Gbps
1	1	53.12Gbps (default setting)

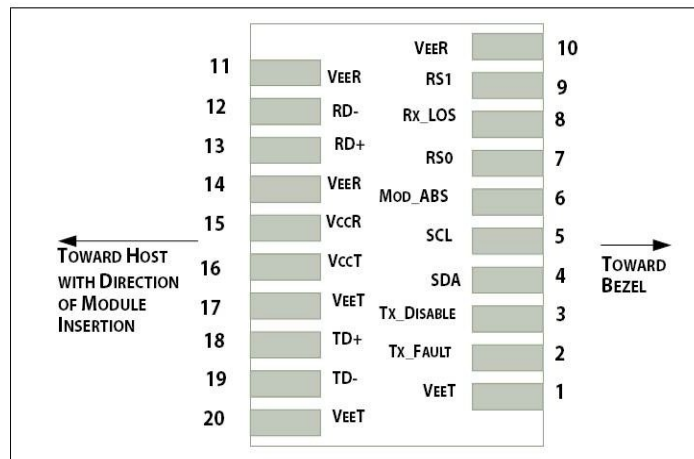
Note: Rate selection only supports software function but not hardware pin function

Pin Descriptions

Pin	Symbol	Name/Descriptions	Notes
1	VeeT	Transmitter Ground	1
2	TX_Fault	Transmitter Fault (LVTTTL-O) - High indicates a fault condition	2
3	TX_Disable	Transmitter Disable (LVTTTL-I) – High or open disables the transmitter	3
4	SDA	Two wire serial interface Data Line (LVCMOS-I/O) (MOD-DEF2)	4
5	SCL	Two wire serial interface Clock Line (LVCMOS-I/O) (MOD-DEF1)	4
6	MOD_ABS	Module Absent (Output), connected to VeeT or VeeR in the module	5
7	RS0	NA	6
8	RX_LOS	Receiver Loss of Signal (LVTTTL-O)	2
9	RS1	NA	6
10	VeeR	Receiver Ground	1
11	VeeR	Receiver Ground	1
12	RD-	Inverse Received Data out (CML-O)	
13	RD+	Received Data out (CML-O)	
14	VeeR	Receiver Ground	
15	VccR	Receiver Power - +3.3V	
16	VccT	Transmitter Power - +3.3 V	
17	VeeT	Transmitter Ground	1
18	TD+	Transmitter Data In (CML-I)	
19	TD-	Inverse Transmitter Data In (CML-I)	
20	VeeT	Transmitter Ground	1

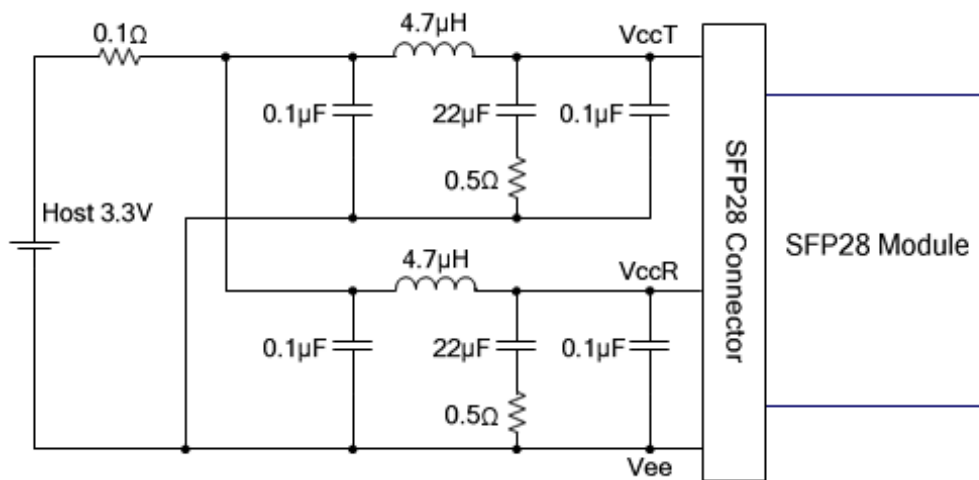
Notes:

1. The module signal grounds are isolated from the module case.
2. This is an open collector/drain output that on the host board requires a 4.7KΩ to 10KΩ pull-up resistor to Vcc-Host.
3. This input is internally biased high with a 4.7KΩ to 10KΩ pull-up resistor to VccT.
4. Two-Wire Serial interface clock and data lines require an external pull-up resistor.
5. This is a ground return that on the host board requires a 4.7KΩ to 10KΩ pull-up resistor to Vcc-Host.
6. Rate select not available

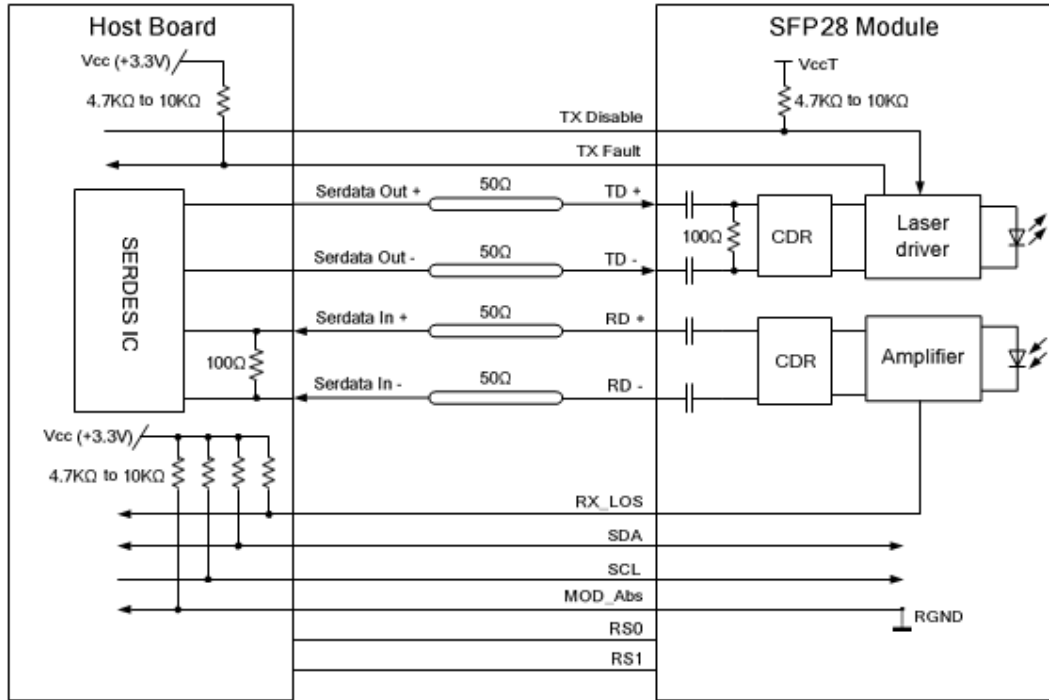


Host PCB SFP28 Pad Assignment Top View

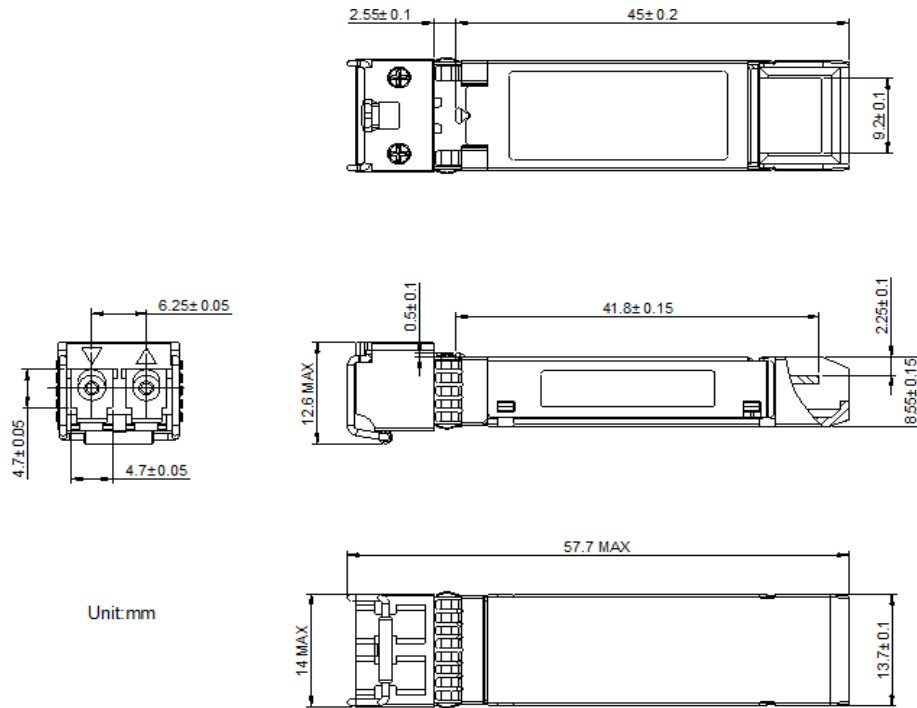
Recommended Host Board Power Supply Filter Network



Recommended Application Interface Block Diagram



Mechanical Specifications



About AddOn Networks

In 1999, AddOn Networks entered the market with a single product. Our founders fulfilled a severe shortage for compatible, cost-effective optical transceivers that compete at the same performance levels as leading OEM manufacturers. Adhering to the idea of redefining service and product quality not previously had in the fiber optic networking industry, AddOn invested resources in solution design, production, fulfillment, and global support.

Combining one of the most extensive and stringent testing processes in the industry, an exceptional free tech support center, and a consistent roll-out of innovative technologies, AddOn has continually set industry standards of quality and reliability throughout its history.

Reliability is the cornerstone of any optical fiber network and is ingrained in AddOn's DNA. It has played a key role in nurturing the long-term relationships developed over the years with customers. AddOn remains committed to exceeding industry standards with certifications ranging from NEBS Level 3 to ISO 9001:2015 with every new development while maintaining the signature reliability of its products.



U.S. Headquarters

Email: sales@addonnetworks.com

Telephone: +1 877.292.1701

Fax: 949.266.9273

Europe Headquarters

Email: salesemea@addonnetworks.com

Telephone: +44 1285 842070