

MMA1U00-WS-C

Mellanox® MMA1U00-WS Compatible TAA 400GBase-SR8 QSFP-DD Transceiver (MMF, 850nm, MPO-16, 100m)

Features:

- Hot-Pluggable QSFP-DD Form Factor
- 8x50G PAM4 VCSEL Transmitter
- 8x50G PAM4 Retimed 400GUA1-8 Electrical Interface
- Aligned with IEEE 802.3bs
- I2C Management Interface
- Power Dissipation: 9W
- Maximum Link Length of 100M on OM4 Fiber with KP4 FEC
- MPO-16 APC Connector
- Single 3.3V Power Supply
- Operating Temperature: 0 to 70 Celsius
- RoHS Compliant and Lead-Free



Applications:

- 400GBase Ethernet

Product Description

This Mellanox® MMA1U00-WS compatible QSFP-DD transceiver provides 400GBase-SR8 throughput up to 100m over multi-mode fiber (MMF) using a wavelength of 850nm via an MPO-16 connector. It is guaranteed to be 100% compatible with the equivalent Mellanox® transceiver. This easy to install, hot swappable transceiver has been programmed, uniquely serialized and data-traffic and application tested to ensure that it will initialize and perform identically. Digital optical monitoring (DOM) support is also present to allow access to real-time operating parameters. This transceiver is Trade Agreements Act (TAA) compliant. We stand behind the quality of our products and proudly offer a limited lifetime warranty.

ProLabs' transceivers are RoHS compliant and lead-free.

TAA refers to the Trade Agreements Act (19 U.S.C. & 2501-2581), which is intended to foster fair and open international trade. TAA requires that the U.S. Government may acquire only "U.S.-made or designated country end products.")



Absolute Maximum Ratings

Parameter	Symbol	Min.	Max.	Unit	Notes
Power Supply Voltage	Vcc	-0.5	4.0	V	
Storage Temperature	Tstg	-40	85	°C	
Operating Temperature	Tc	0	70	°C	
Relative Humidity	RH	15	85	%	1
Receiver Damage Threshold Per Lane	THd	5		dBm	
Bit Error Ratio	BER		2.4E ⁻⁴		2
Bit Rate (All Wavelengths Combined)	BR		425	Gbps	3

Notes:

1. Non-condensing.
2. As defined by IEEE P802.3cm.
3. Supports 400GBase-SR8 per IEEE P802.3cm.

Electrical Characteristics

Parameter	Symbol	Min.	Typ.	Max.	Unit	Notes
Supply Voltage	Vcc	3.135	3.3	3.465	V	
Supply Current	Icc			2.87	A	
Module Total Power	P			9	W	1
Transmitter (Per Lane)						
Signaling Rate Per Lane	TP1	26.5625 ± 100ppm			GBd	
Differential Data Input Voltage Per Lane	VIN,pp	900			mV	2
Differential Input Return Loss		Per Equation (83E-5) IEEE802.3bm				
Differential- to Common-Mode Input Return Loss		Per Equation (83E-6) IEEE802.3bm				
Differential Termination Mismatch				10		
Module Stressed Input Test		Per 120E.3.4.1 IEEE802.3bs				3
Single-Ended Voltage Tolerance Range		-0.4		3.3		
DC Common-Mode Voltage		-350		2850	mV	4
Receiver (Per Lane)						
Signaling Rate Per Lane		26.5625 ± 100ppm			Gbd	
AC Common-Mode Output Voltage (RMS)				17.5	mV	
Differential Output Voltage				900	mV	
Near-End ESMW (Eye Symmetry Mask Width)		0.265			UI	
Differential Near-End Eye Height (Minimum)		30			mV	
Far-End Pre-Cursor ISI Ratio		-4.5		2.5	%	
Differential Output Return Loss		Per Equation (83E-2) IEEE802.3bm				

Common- to Differential-Mode Conversion Return Loss		Per Equation (83E-3) IEEE802.3bm				
Differential Termination Mismatch				10	%	
Transition Time (20-80%)		9.5			ps	
DC Common-Mode Voltage Minimum		-350		2850	mV	

Notes:

1. The maximum total power value is specified across the full temperature and voltage range.
2. With the exception to 120E.3.1.2 that the pattern is PRBS31Q or scrambled idle.
3. Meets specified BER.
4. DC common-mode voltage is generated by the host. Specification includes the effects of ground offset voltage.

Optical Characteristics

Parameter	Symbol	Min.	Typ.	Max.	Unit	Notes
Transmitter						
Center Wavelength	λ_C	840	850	860	nm	
Data Rate Per Lane		26.5625 \pm 100ppm			GBd	
Modulation Format		PAM4				
RMS Spectral Width				0.6	nm	1
Average Launch Power Per Lane		-6.5		4	dBm	
Outer Optical Modulation Amplitude (OMA _{outer}) Per Lane		-4.5			dBm	2
Launch Power in OMA _{outer} Minus TDECQ Per Lane		-5.9			dBm	
Transmitter and Dispersion Eye Closure for PAM4 (TDECQ) Per Lane				4.5	dB	
TDECQ -10Log ₁₀ (Ceq) Per Lane				4.5	dB	3
Average Launch Power of Off Transmitter Per Lane				-30	dBm	
Extinction Ratio		3			dB	
Transmitter Transition Time Per Lane				34	ps	
RIN _{12OMA}				-128	dB/Hz	
Optical Return Loss Tolerance				12	dB	
Encircle Flux		≥86% at 19 μ m ≤30% at 4.5 μ m				4
Receiver						
Center Wavelength	λ_C	840	850	860	nm	
Data Rate Per Lane		26.5625 \pm 100ppm			GBd	
Modulation Format		PAM4				
Damage Threshold Per Lane		5			dBm	1
Average Receive Power Per Lane		-8.4		4	dBm	2
Receive Power (OMA _{outer}) Per Lane				3	dBm	

Receiver Reflectance				-12	dBm	
Receiver Sensitivity (OMA _{outer}) Per Lane				-3	dBm	3
Stressed Receiver Sensitivity (OMA _{outer}) Per Lane				-12	dB	4
Stressed Eye Closure for PAM4 (SECQ) Per Lane Under Test			4.5			5
SECQ-10Log ₁₀ (Ceq)f Per Lane (Maximum)			4.5			5
OMA _{outer} of Each Aggressor Lane			3			
LOS De-Assert				-9	dBm	
LOS Assert		-30		-10	dBm	
LOS Hysteresis		0.5			dB	
Conditions of Stressed Receiver Sensitivity Test						6

Notes:

1. The receiver shall be able to tolerate, without damage, continuous exposure to an optical input signal having this average power level on one lane. The receiver does not have to operate correctly at this input power.
2. Average receive power, each lane (minimum), is informative and not the principal indicator of signal strength.
3. Receiver sensitivity is informative and is defined for a transmitter with a value of SECQ up to 4.5dB.
4. Measured with conformance test signal at TP3 (see 138.8.10) for the BER specified in 138.1.1.
5. Ceq is a coefficient defined in 121.8.5.3, which accounts for the reference equalizer noise enhancement.
6. These test conditions are for measuring stressed receiver sensitivity. They are not characteristics of the receiver.

Pin Descriptions

Pin	Logic	Symbol	Name/Description	Plug Sequence	Notes
1		GND	Module Ground.	1B	1
2	CML-I	Tx2-	Transmitter Inverted Data Input.	3B	
3	CML-I	Tx2+	Transmitter Non-Inverted Data Input.	3B	
4		GND	Module Ground.	1B	1
5	CML-I	Tx4-	Transmitter Inverted Data Input.	3B	
6	CML-I	Tx4+	Transmitter Non-Inverted Data Input.	3B	
7		GND	Module Ground.	1B	1
8	LVTTL-I	ModSelL	Module Select.	3B	
9	LVTTL-I	ResetL	Module Reset.	3B	
10		VccRx	+3.3V Receiver Power Supply.	2B	2
11	LVC MOS-I/O	SCL	2-Wire Serial Interface Clock.	3B	
12	LVC MOS-I/O	SDA	2-Wire Serial Interface Data.	3B	
13		GND	Module Ground.	1B	1
14	CML-O	Rx3+	Receiver Non-Inverted Data Output.	3B	
15	CML-O	Rx3-	Receiver Inverted Data Output.	3B	
16		GND	Module Ground.	1B	1
17	CML-O	Rx1+	Receiver Non-Inverted Data Output.	3B	
18	CML-O	Rx1-	Receiver Inverted Data Output.	3B	
19		GND	Module Ground.	1B	1
20		GND	Module Ground.	1B	1
21	CML-O	Rx2-	Receiver Inverted Data Output.	3B	
22	CML-O	Rx2+	Receiver Non-Inverted Data Output.	3B	
23		GND	Module Ground.	1B	1
24	CML-O	Rx4-	Receiver Inverted Data Output.	3B	
25	CML-O	Rx4+	Receiver Non-Inverted Data Output.	3B	
26		GND	Module Ground.	1B	1
27	LVTTL-O	ModPrsL	Module Present.	3B	
28	LVTTL-O	IntL	Interrupt.	3B	
29		VccTx	+3.3V Transmitter Power Supply.	2B	2
30		Vcc1	+3.3V Power Supply.	2B	2
31	LVTTL-I	InitMode	Initialization Mode. In legacy QSFP applications, the InitMode pad is called LPMODE.	3B	
32		GND	Module Ground.	1B	1
33	CML-I	Tx3+	Transmitter Non-Inverted Data Input.	3B	
34	CML-I	Tx3-	Transmitter Inverted Data Input.	3B	
35		GND	Module Ground.	1B	1
36	CML-I	Tx1+	Transmitter Non-Inverted Data Input.	3B	
37	CML-I	Tx1-	Transmitter Inverted Data Input.	3B	
38		GND	Module Ground.	1B	1
39		GND	Module Ground.	1A	1

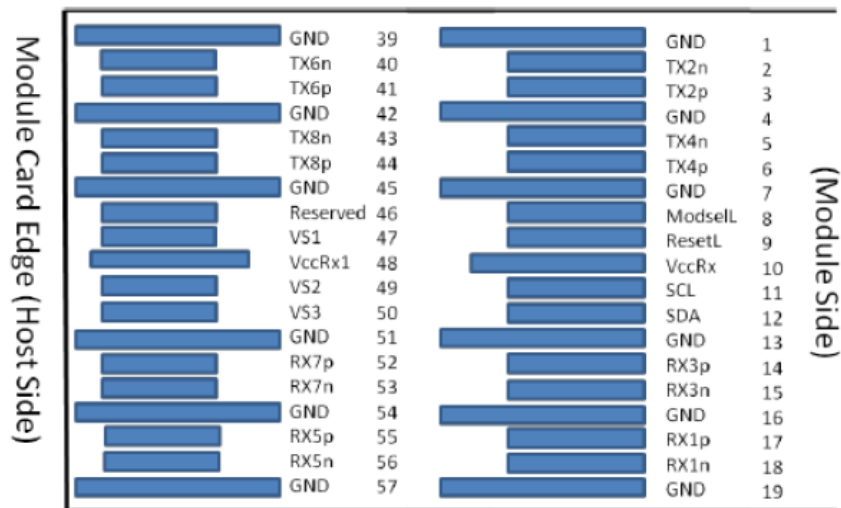
40	CML-I	Tx6-	Transmitter Inverted Data Input.	3A	
41	CML-I	Tx6+	Transmitter Non-Inverted Data Input.	3A	
42		GND	Module Ground.	1A	1
43	CML-I	Tx8-	Transmitter Inverted Data Input.	3A	
44	CML-I	Tx8+	Transmitter Non-Inverted Data Input.	3A	
45		GND	Module Ground.	1A	1
46		Reserved	For Future Use.	3A	3
47		VS1	Module Vendor-Specific 1.	3A	3
48		VccRx1	+3.3V Receiver Power Supply.	2A	2
49		VS2	Module Vendor-Specific 2.	3A	3
50		VS3	Module Vendor-Specific 3.	3A	3
51		GND	Module Ground.	1A	1
52	CML-O	Rx7+	Receiver Non-Inverted Data Output.	3A	
53	CML-O	Rx7-	Receiver Inverted Data Output.	3A	
54		GND	Module Ground.	1A	1
55	CML-O	Rx5+	Receiver Non-Inverted Data Output.	3A	
56	CML-O	Rx5-	Receiver Inverted Data Output.	3A	
57		GND	Module Ground.	1A	1
58		GND	Module Ground.	1A	1
59	CML-O	Rx6-	Receiver Inverted Data Output.	3A	
60	CML-O	Rx6+	Receiver Non-Inverted Data Output.	3A	
61		GND	Module Ground.	1A	1
62	CML-O	Rx8-	Receiver Inverted Data Output.	3A	
63	CML-O	Rx8+	Receiver Non-Inverted Data Output.	3A	
64		GND	Module Ground.	1A	1
65		NC	Not Connected.	3A	3
66		Reserved	For Future Use.	3A	3
67		VccTx1	+3.3V Transmitter Power Supply.	2A	2
68		Vcc2	+3.3V Power Supply.	2A	2
69		Reserved	For Future Use.	3A	3
70		GND	Module Ground.	1A	1
71	CML-I	Tx7+	Transmitter Non-Inverted Data Input.	3A	
72	CML-I	Tx7-	Transmitter Inverted Data Input.	3A	
73		GND	Module Ground.	1A	1
74	CML-I	Tx5+	Transmitter Non-Inverted Data Input.	3A	
75	CML-I	Tx5-	Transmitter Inverted Data Input.	3A	
76		GND	Module Ground.	1A	1

Notes:

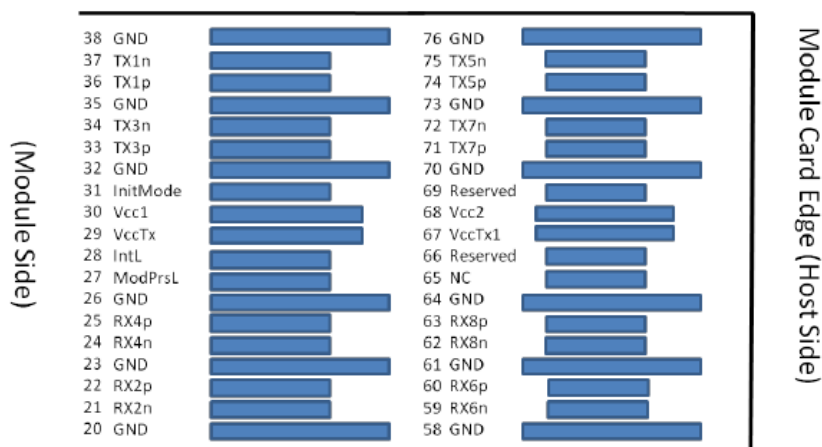
1. QSFP-DD uses common ground (GND) for all signals and supply power. All are common within the QSFP-DD module, and all module voltages are referenced to this potential unless otherwise noted. Connect these directly to the host board signal common ground plane.

- VccRx, VccRx1, Vcc1, Vcc2, VccTx, and VccTx1 shall be applied concurrently. Requirements defined for the host side of the Host Card Edge Connector are listed in the Optical Characteristics. VccRx, VccRx1, Vcc1, Vcc2, VccTx, and VccTx1 may be internally connected within the module in any combination. The connector Vcc pins are each rated for a maximum current of 1000mA.
- All Vendor-Specific, Reserved, and Not Connected pins may be terminated with 50Ω to ground on the host. Pad 65 (Not Connected) shall be left unconnected within the module. Vendor-Specific and Reserved pads shall have an impedance to GND that is greater than 10kΩ and less than 100pF.
- Plug Sequence specifies the mating sequence of the host connector and module. The sequence is 1A, 2A, 3A, 1B, 2B, and 3B. Contact sequence A will make, then break contact with additional QSFP-DD pads. Sequence 1A, 1B will then occur simultaneously, followed by 2A, 2B, followed by 3A, 3B.

Pin-Out Details

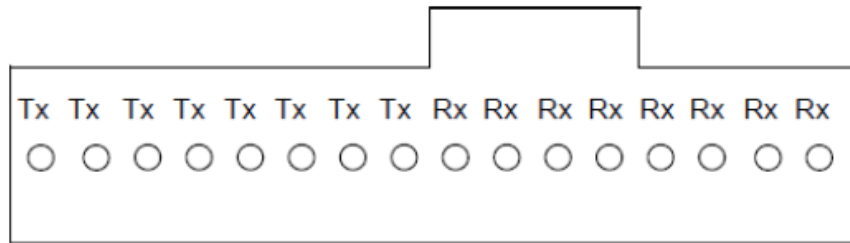


Bottom side viewed from bottom

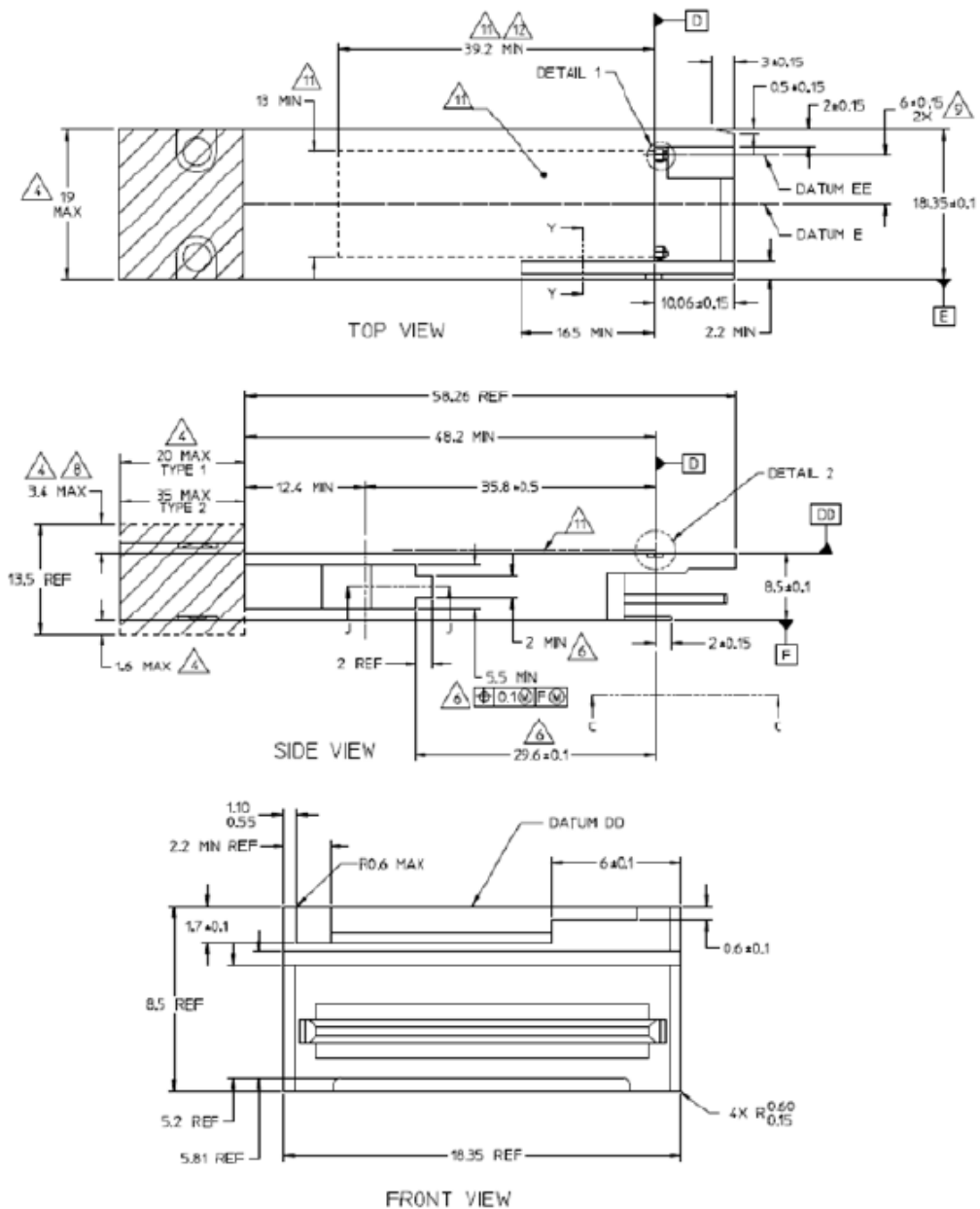


Top side viewed from top

MPO Connector Receptacle



Mechanical Specifications



About ProLabs

Our extensive experience comes as standard. For over 20 years ProLabs has delivered optical connectivity solutions that give our customers freedom and choice through our ability to provide seamless interoperability. At the heart of our company is the ability to provide state-of-the-art optical transport and connectivity solutions that are compatible with more than 100 optical switching and transport platforms.

A Complete Portfolio of Network Solutions

ProLabs is focused on innovations in optical transport and connectivity. The combination of our knowledge of optics and networking equipment enables ProLabs to be your single source for optical transport and connectivity solutions from 100Mb to 1.6T while providing innovative solutions that increase network efficiency. We provide the optical connectivity expertise that is compatible with and enhances your switching and transport equipment.

The Trusted Partner

Customer service is our number one value. ProLabs has invested in people, labs and manufacturing capacity to ensure compatible products, and immediate answers to your questions. With Engineering and Manufacturing offices in the U.K. and U.S. augmented by field offices throughout the U.S., U.K. and Asia, ProLabs is able to be our customers best advocate 24 hours a day.



Contact Information

ProLabs US

Email: sales@prolabs.com

Telephone: 952-852-0252

ProLabs UK

Email: salessupport@prolabs.com

Telephone: +44 1285 719 600