

### MC2210310-005-C

Mellanox® MC2210310-005 Compatible TAA Compliant 40GBase-AOC QSFP+ Active Optical Cable (850nm, MMF, 5m)

#### Features:

- Support up to 4x10 Gbps bi-directional operation
- SFF-8436 QSFP+ compliant
- Compliant to the IEEE802.3ba
- Automatic power down while broken cable is detected to improve eye safety
- Reliable VCSEL and PIN photonic devices
- I2C standard management interface
- Excellent high speed signal integrity
- Low power consumption
- Operating Case Temperature 0 to 70 Celsius
- RoHS Compliant and Lead-Free



#### Applications:

- 10G/40GBase Ethernet
- Proprietary high speed, high density data
- High performance computing, server and data storage

#### Product Description

This is a Mellanox® MC2210310-005 compatible 40GBase-AOC QSFP+ to QSFP+ active optical cable that operates over multi-mode fiber with a maximum reach of 5.0m (16.4ft). At a wavelength of 850nm, it has been programmed, uniquely serialized, and data-traffic and application tested to ensure it is 100% compliant and functional. This active optical cable is TAA (Trade Agreements Act) compliant, and is built to comply with MSA (Multi-Source Agreement) standards. We stand behind the quality of our products and proudly offer a limited lifetime warranty.

ProLabs' transceivers are RoHS compliant and lead-free.

TAA refers to the Trade Agreements Act (19 U.S.C. & 2501-2581), which is intended to foster fair and open international trade. TAA requires that the U.S. Government may acquire only "U.S.-made or designated country end products.")



## Absolute Maximum Ratings

| Parameter                  | Symbol           | Min. | Typ.   | Max. | Unit |
|----------------------------|------------------|------|--------|------|------|
| Supply Voltage             | V <sub>CC</sub>  | -0.5 |        | 3.6  | V    |
| Storage Temperature        | T <sub>stg</sub> | -40  |        | 85   | °C   |
| Operating Case Temperature | T <sub>c</sub>   | 0    | 25     | 70   | °C   |
| Relative Humidity          | RH               | 5    |        | 85   | %    |
| Data Rate Per Channel      |                  |      | 4*10.3 |      | Gbps |

## Electrical Specifications

| Parameter           | Symbol            | Min.  | Typ. | Max.  | Unit | Notes |
|---------------------|-------------------|-------|------|-------|------|-------|
| Supply Voltage      | V <sub>CC</sub>   | 3.135 | 3.3  | 3.465 | V    |       |
| Supply Current      | I <sub>CC</sub>   |       |      | 400   | mA   |       |
| Power Dissipation   | P <sub>DISS</sub> |       |      | 1500  | mW   |       |
| Clock Rate - I2C    |                   |       |      | 400   | KHz  | 1     |
| Module Turn-on time |                   |       |      | 2000  | ms   | 2     |

### Notes:

1. For the management interface.
2. Time from module power-on/insertion/ResetL de-assert to module fully functional.

## Optical Characteristics

| Parameter                                     | Symbol  | Min. | Typ.   | Max. | Unit | Notes |
|---|---------|------|--------|------|------|-------|
| <b>Transmitter</b>                            |         |      |        |      |      |       |
| Reference Differential Input                  | Zd      |      | 100    |      | Ω    | 1     |
| Optical Return Loss Tolerance                 |         |      |        | 12   | dB   |       |
| Differential Data Input Swing                 | VIN,pp  | 180  |        | 1200 | mV   |       |
| Differential Data Input Threshold             |         |      | 50     |      | mV   | 2     |
| <b>Receiver</b>                               |         |      |        |      |      |       |
| Reference Differential Input Impedance        | Zd      |      | 100    |      | Ω    | 1     |
| Differential Data Output Swing                | VOUT,pp | 0    |        | 800  | mV   |       |
| Pre-Emphasis Pulse Amplitude Percentage       |         | 0    |        |      | %    | 4     |
|   |         | 10   |        |      | %    |       |
|   |         | 20   |        |      | %    |       |
|   |         | 40   |        |      | %    |       |
| Pre-Emphasis Pulse Duration                   |         |      | 30     |      | ps   |       |
| Signal Speed                                  |         |      | 4*10.3 |      | Gbps |       |
| Differential Data Output Swing                |         | 150  |        | 850  | mV   |       |
| Differential Data Output Swing When Squelched |         |      |        | 50   | mV   |       |
| Rise/Fall Time (20-80%)                       |         | 24   |        |      | ps   |       |

### Notes:

1. AC coupled inside the AOC module.
2. Input swing to trigger Tx-squelch.
3. User selectable. Percentage is the ratio of pre-emphasis amplitude to output swing. Users could change by writing to page 3 address 237, default value is "10."

## Pin Descriptions

| Pin | Logic      | Symbol  | Name/Description  | Note |
|-----|------------|---------|---|------|
| 1   |            | GND     | Module Ground.  | 1    |
| 2   | CML-I      | Tx2-    | Transmitter Inverted Data Input.                        |      |
| 3   | CML-I      | Tx2+    | Transmitter Non-Inverted Data Input.                    |      |
| 4   |            | GND     | Module Ground.  | 1    |
| 5   | CML-I      | Tx4-    | Transmitter Inverted Data Input.                        |      |
| 6   | CML-I      | Tx4+    | Transmitter Non-Inverted Data Input.                    |      |
| 7   |            | GND     | Module Ground.  | 1    |
| 8   | LVTTTL-I   | ModSelL | Module Select.  | 2    |
| 9   | LVTTTL-I   | ResetL  | Module Reset.   | 2    |
| 10  |            | VccRx   | +3.3V Receiver Power Supply.                            |      |
| 11  | LVCNOS-I/O | SCL     | 2-Wire Serial Interface Clock.                          | 2    |
| 12  | LVCNOS-I/O | SDA     | 2-Wire Serial Interface Data.                           | 2    |
| 13  |            | GND     | Module Ground.  | 1    |
| 14  | CML-O      | Rx3+    | Receiver Non-Inverted Data Output.                      |      |
| 15  | CML-O      | Rx3-    | Receiver Inverted Data Output.                          |      |
| 16  |            | GND     | Module Ground.  | 1    |
| 17  | CML-O      | Rx1+    | Receiver Non-Inverted Data Output.                      |      |
| 18  | CML-O      | Rx1-    | Receiver Inverted Data Output.                          |      |
| 19  |            | GND     | Module Ground.  | 1    |
| 20  |            | GND     | Module Ground.  | 1    |
| 21  | CML-O      | Rx2-    | Receiver Inverted Data Output.                          |      |
| 22  | CML-O      | Rx2+    | Receiver Non-Inverted Data Output.                      |      |
| 23  |            | GND     | Module Ground.  | 1    |
| 24  | CML-O      | Rx4-    | Receiver Inverted Data Output.                          |      |
| 25  | CML-O      | Rx4+    | Receiver Non-Inverted Data Output.                      |      |
| 26  |            | GND     | Module Ground.  | 1    |
| 27  | LVTTTL-O   | ModPrsL | Module Present. Internally pulled down to the GND.      |      |
| 28  | LVTTTL-O   | IntL    | Interrupt output should be pulled up on the host board. | 2    |
| 29  |            | VccTx   | +3.3V Transmitter Power Supply.                         |      |
| 30  |            | Vcc1    | +3.3V Power Supply.                                     |      |
| 31  | LVTTTL-I   | LPMode  | Low-Power Mode.   | 2    |
| 32  |            | GND     | Module Ground.  | 1    |
| 33  | CML-I      | Tx3+    | Transmitter Non-Inverted Data Input.                    |      |
| 34  | CML-I      | Tx3-    | Transmitter Inverted Data Input.                        |      |
| 35  |            | GND     | Module Ground.  | 1    |

|    |       |      |                                      |  |
|----|-------|------|--------------------------------------|--|
| 36 | CML-I | Tx1+ | Transmitter Non-Inverted Data Input. |  |
| 37 | CML-I | Tx1- | Transmitter Inverted Data Input.     |  |

**Notes:**

1. GND is the symbol for signal and supply (power). Connect these directly to the host board signal common ground plane.
2. VccRx, Vcc1, and VccTx are the receiving and transmission power suppliers and shall be applied concurrently. VccRx, Vcc1, and VccTx may be internally connected within the QSFP+. The connector pins are each rated for a maximum current of 500mA.

**Pin Assignment and Pin Description**

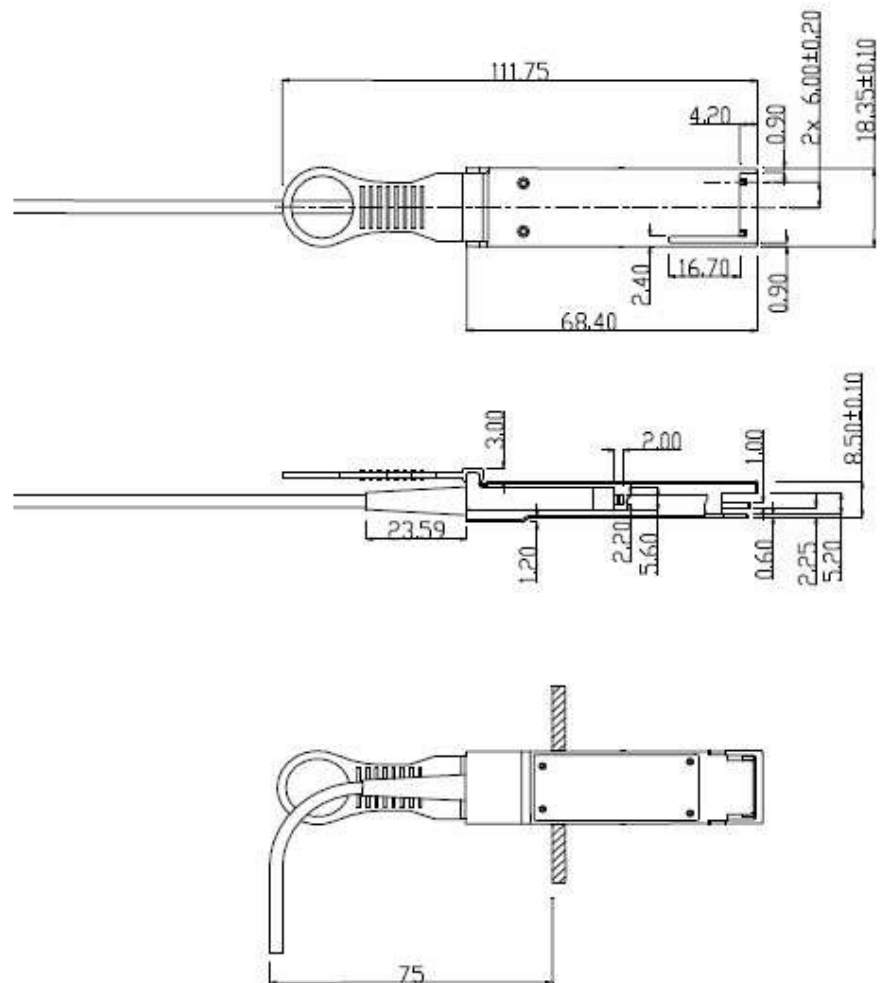


**Recommended Application Interface Circuit**



## Mechanical Specifications

| Parameter                               | Symbol | Min.   | Typ. | Max.   | Unit   | Notes |
|---|--------|--------|------|--------|--------|-------|
| AOC Cable Length (L<5m)                 | L      | L-0.06 | L    | L+0.06 | M      |       |
| Module Retention                        |        | 90     |      | 170    | N      |       |
| Module Insertion                        |        | 0      |      | 18     | N      |       |
| Module Extraction                       |        | 0      |      | 25     | N      |       |
| Cable Pull Strength – Apply Load at 0°  |        | 44     |      |        | N      |       |
| Cable Pull Strength – Apply Load at 90° |        | 33     |      |        | N      |       |
| Clearance Out of IO Bezel               |        | 75     |      |        | mm     |       |
| Cable Bending Radius                    |        | 3      |      |        | cm     |       |
| Insertion/Removal Cycles                |        | 50     |      |        | Cycles |       |



Clearance 75mm Is Required.

Cable Type: Low Smoke Zero Halogen

## About ProLabs

Our extensive experience comes as standard. For over 20 years ProLabs has delivered optical connectivity solutions that give our customers freedom and choice through our ability to provide seamless interoperability. At the heart of our company is the ability to provide state-of-the-art optical transport and connectivity solutions that are compatible with more than 100 optical switching and transport platforms.

## A Complete Portfolio of Network Solutions

ProLabs is focused on innovations in optical transport and connectivity. The combination of our knowledge of optics and networking equipment enables ProLabs to be your single source for optical transport and connectivity solutions from 100Mb to 1.6T while providing innovative solutions that increase network efficiency. We provide the optical connectivity expertise that is compatible with and enhances your switching and transport equipment.

## The Trusted Partner

Customer service is our number one value. ProLabs has invested in people, labs and manufacturing capacity to ensure compatible products, and immediate answers to your questions. With Engineering and Manufacturing offices in the U.K. and U.S. augmented by field offices throughout the U.S., U.K. and Asia, ProLabs is able to be our customers best advocate 24 hours a day.



## Contact Information

ProLabs US

Email: [sales@prolabs.com](mailto:sales@prolabs.com)

Telephone: 952-852-0252

ProLabs UK

Email: [salessupport@prolabs.com](mailto:salessupport@prolabs.com)

Telephone: +44 1285 719 600