

ET6402-DAC-1M-C

Edge-corE® ET6402-DAC-1M Compatible TAA 40GBase-CU QSFP+ Direct Attach Cable (Passive Twinax, 1m)

Features:

- Full duplex 4 channel parallel passive optical cable
- Transmission data rate up to 10.3Gbps per channel
- SFF-8436 QSFP+ compliant
- Hot pluggable electrical interface
- Low power consumption
- Housing isolated from connector ground
- Operating Temperature: 0 to 70 Celsius
- 3.3V power supply voltage
- RoHS Compliant and Lead-Free



Applications:

- Serial Data Transmission

Product Description

This is a Edge-corE® ET6402-DAC-1M compatible 40GBase-CU QSFP+ to QSFP+ direct attach cable that operates over passive copper with a maximum reach of 1.0m (3.3ft). It has been programmed, uniquely serialized, and data-traffic and application tested to ensure it is 100% compliant and functional. This direct attach cable is TAA (Trade Agreements Act) compliant, and is built to comply with MSA (Multi-Source Agreement) standards. We stand behind the quality of our products and proudly offer a limited lifetime warranty.

ProLabs' transceivers are RoHS compliant and lead-free.

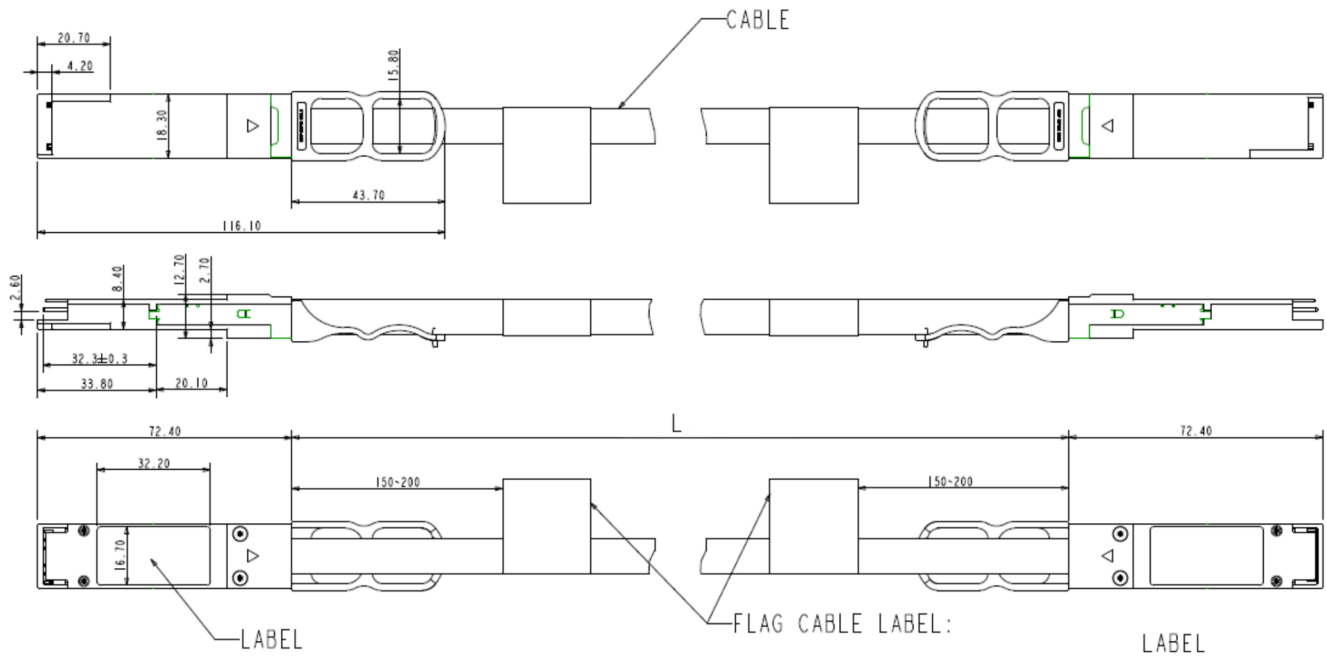
TAA refers to the Trade Agreements Act (19 U.S.C. & 2501-2581), which is intended to foster fair and open international trade. TAA requires that the U.S. Government may acquire only "U.S.-made or designated country end products.")



Specifications

| Parameter | Specifications | Unit |
|--|--------------------------------|--------|
| Minimum Dielectric Withstand Voltage | 300 | VDC |
| Insulation Resistance | 1000 | MΩ |
| Current Rating | 0.5 Amp Minimum/Signal Contact | |
| Operating Temperature | 0 to 70 | °C |
| Flammability Rating (Plastics) | UL 94 | |
| Shield | Braid/Foil | |
| Connector | | |
| Back Shell Material | Nickel-Plated Zinc Diecast | |
| Contact Material | PCB with Gold-Plated Pads | |
| Maximum Insertion Force | 40 | N |
| Maximum Withdrawal Force | 30 | N |
| Durability | 250 | Cycles |
| Tightest Recommended Vertical Spacing (Belly-to-Belly) | 11.80 | mm |
| Tightest Recommended Vertical Spacing (Stacked) | 17.50 | mm |
| Cable | | |
| Conductor | Solid | |
| Wire Gauge | 28 | AWG |
| Impedance | 100±5 | Ω |
| Construction | Twinaxial | |
| Jacket Type | PVC | |

Mechanical Specifications



About ProLabs

Our extensive experience comes as standard. For over 20 years ProLabs has delivered optical connectivity solutions that give our customers freedom and choice through our ability to provide seamless interoperability. At the heart of our company is the ability to provide state-of-the-art optical transport and connectivity solutions that are compatible with more than 100 optical switching and transport platforms.

A Complete Portfolio of Network Solutions

ProLabs is focused on innovations in optical transport and connectivity. The combination of our knowledge of optics and networking equipment enables ProLabs to be your single source for optical transport and connectivity solutions from 100Mb to 1.6T while providing innovative solutions that increase network efficiency. We provide the optical connectivity expertise that is compatible with and enhances your switching and transport equipment.

The Trusted Partner

Customer service is our number one value. ProLabs has invested in people, labs and manufacturing capacity to ensure compatible products, and immediate answers to your questions. With Engineering and Manufacturing offices in the U.K. and U.S. augmented by field offices throughout the U.S., U.K. and Asia, ProLabs is able to be our customers best advocate 24 hours a day.



Contact Information

ProLabs US

Email: sales@prolabs.com

Telephone: 952-852-0252

ProLabs UK

Email: salessupport@prolabs.com

Telephone: +44 1285 719 600