

## SFP28-25GB-CLR-HP-C

HP® Compatible TAA 25GBase-CLR SFP28 Transceiver (SMF, 1310nm, 2km, LC, DOM, No FEC)

### Features:

- Up to 25.78125Gbd Bi-Directional Data Links
- Built-In Dual CDR with Bypass Control
- Electrical Interface Specifications Per SFF-8431
- SFP28 MSA Package with Duplex Connector
- 1.5W Maximum Power Consumption with Established Link
- Class 1 Laser Safety Certified
- Uncooled 1310 DFB Laser
- Up to 2km on 9/125um SMF with No FEC
- Power Supply Lines: 3.3V
- Operating Temperature: 0 to 70 Celsius
- RoHS Compliant and Lead-Free



### Applications:

- 25GBase Ethernet

### Product Description

This HP® compatible SFP28 transceiver provides 25GBase-CLR throughput up to 2km over single-mode fiber (SMF) using a wavelength of 1310nm via an LC connector. It can operate at temperatures between 0 and 70C. Our transceiver is built to meet or exceed OEM specifications and is guaranteed to be 100% compatible with HP®. It has been programmed, uniquely serialized, and tested for data-traffic and application to ensure that it will initialize and perform identically. All of our transceivers comply with Multi-Source Agreement (MSA) standards to provide seamless network integration. Additional product features include Digital Optical Monitoring (DOM) support which allows access to real-time operating parameters. This transceiver is Trade Agreements Act (TAA) compliant. We stand behind the quality of our products and proudly offer a limited lifetime warranty.

ProLabs' transceivers are RoHS compliant and lead-free.

TAA refers to the Trade Agreements Act (19 U.S.C. & 2501-2581), which is intended to foster fair and open international trade. TAA requires that the U.S. Government may acquire only "U.S.-made or designated country end products.")



## Absolute Maximum Ratings

Parameter	Symbol	Min.	Typ.	Max.	Unit	Notes
Maximum Supply Voltage	V <sub>CC</sub>	-0.5		4	V	1
Storage Temperature	T <sub>stg</sub>	-40		85	°C	
Operating Case Temperature	T <sub>c</sub>	0	25	70	°C	
Relative Humidity	RH	5		95	%	
Signaling Rate			25.78125		GBd	
Signaling Rate Variation		-100		100	ppm	

## Electrical Characteristics

Parameter	Symbol	Min.	Typ.	Max.	Unit	Notes
Module Supply Voltage	V <sub>CC</sub>	3.14	3.3	3.47	V	
Module Supply Current	I <sub>CC</sub>			478	mA	
Power Dissipation	P <sub>DISS</sub>			1500	W	
<b>Transmitter</b>						
Input Differential Impedance	Z <sub>IN</sub>		100		Ω	
Differential Data Input Swing	V <sub>IN,pp</sub>	180		700	mVp-p	
Tx_Fault	Transmitter Fault	VOH	2		Host_Vcc	V
	Normal Operation	VOL	0		0.8	V
Tx_Disable	Transmitter Disable	VIH	2		Host_Vcc	V
	Transmitter Enable	VIL	0		0.8	V
<b>Receiver</b>						
Output Differential Impedance	Z <sub>OUT</sub>		100		Ω	
AC Common-Mode Output Voltage	V <sub>OUT,rms</sub>			17.5	mV	
Differential Output Voltage	V <sub>OUT,pp</sub>	300		900	mVp-p	1
Eye Width		0.57			UI	
Differential Eye Hight		228			mV	
Data Output Rise/Fall Time	T <sub>r</sub> /T <sub>f</sub>	12			ps	2
Rx_LOS	Loss of Signal (LOS)	VOH	2.0		Host_Vcc	V
	Normal Operation	VOL	0		0.8	V

### Notes:

1. Internally AC coupled but requires an external 100Ω differential load termination.
2. 20-80%.
3. LOS is an open collector output and should be pulled up with 4.7kΩ on the host board.

## Optical Characteristics

Parameter	Symbol	Min.	Typ.	Max.	Unit	Notes
<b>Transmitter</b>						
Launch Optical Power	Po	-5		2	dBm	1
Extinction Ratio	ER	3.5			dB	
Optical Modulation Amplitude	OMA	-4		2.2	dB	
Center Wavelength Range	$\lambda_C$	1295	1310	1325	nm	
Side-Mode Suppression Ratio	SMSR	30			dB	
Spectral Width	$\Delta\lambda$			1	nm	2
Launch Power in OMA Minus TDP		-5			dBm	
Transmitter and Dispersion Penalty	TDP			2.7	dB	
Optical Return Loss Tolerance	ORLT			20	dB	
Transmitter Reflectance				-26	dB	
POUT @Tx_Disable Asserted	Poff			-20	dBm	
<b>Receiver</b>						
Center Wavelength	$\lambda_C$	1260	1310	1370	nm	
Receiver Sensitivity	RxSens			-8	dBm	3
Damage Threshold		3			dBm	
Receiver Overload (Pavg)	POL	2			dBm	
Optical Return Loss	ORL	26			dB	
LOS De-Assert	LOSD			-16	dBm	
LOS Assert	LOSA	-30			dBm	
LOS Hysteresis		0.5			dB	
Receiver Reflectance				-26	dBm	

### Notes:

1. Class 1 Laser Safety per FDA/CDRH and EN (IEC) 60825 regulations.
2. 20dB spectral width.
3. Measured with PRBS31 at  $1E^{-12}$  BER.

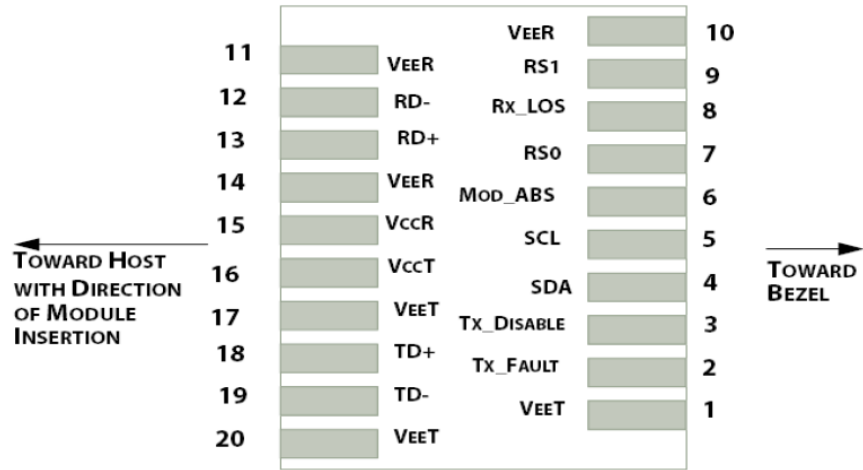
## Pin Descriptions

Pin	Symbol	Name/Description	Notes
1	VeeT	Transmitter Ground.	1
2	Tx_Fault	Transmitter Fault. LVTTTL-O. "High" indicates a fault condition.	2
3	Tx_Disable	Transmitter Disable. LVTTTL-I. "High" or "open" disables the transmitter.	3
4	SDA	2-Wire Serial Interface Data. LVCMOS-I/O. MOD-DEF2.	4
5	SCL	2-Wire Serial Interface Clock. LVCMOS-I/O. MOD-DEF1.	4
6	MOD_ABS	Module Absent (Output). Connected to the VeeT or VeeR in the module.	5
7	RS0	Hardware Tx Rate Select Pin.	6
8	Rx_LOS	Receiver Loss of Signal. LVTTTL-O.	2
9	RS1	Hardware Rx Rate Select Pin.	6
10	VeeR	Receiver Ground.	1
11	VeeR	Receiver Ground.	1
12	RD-	Inverse Received Data Out. CML-O.	
13	RD+	Received Data Out. CML-O.	
14	VeeR	Receiver Ground.	
15	VccR	+3.3V Receiver Power.	
16	VccT	+3.3V Transmitter Power.	
17	VeeT	Transmitter Ground.	1
18	TD+	Transmitter Data In. CML-I.	
19	TD-	Inverse Transmitter Data In. CML-I.	
20	VeeT	Transmitter Ground.	1

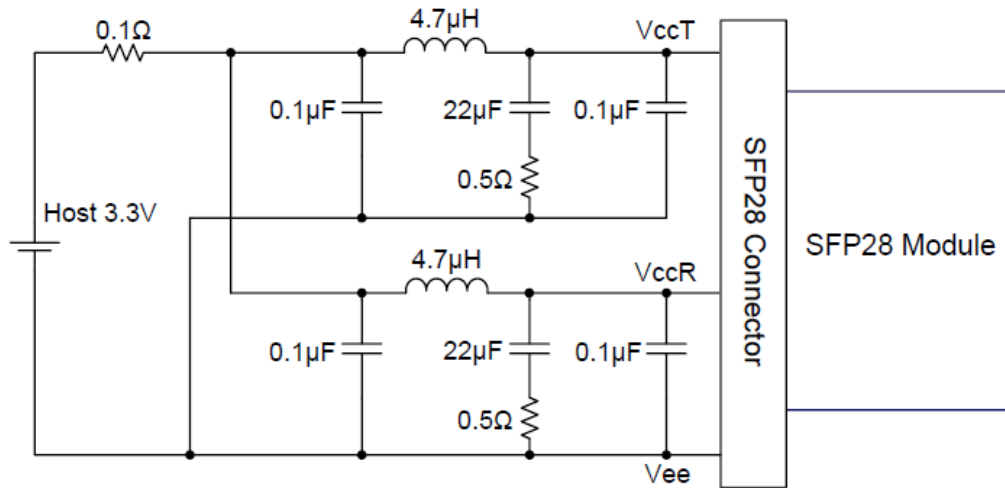
### Notes:

1. The module signal grounds are isolated from the module case.
2. This is an open collector/drain output that, on the host board, requires a 4.7kΩ to 10kΩ pull-up resistor to the Host\_Vcc.
3. This input is internally biased "high" with a 4.7kΩ to 10kΩ pull-up resistor to the VccT.
4. 2-Wire Serial Interface Clock and Data lines require an external pull-up resistor dependent on the capacitance load.
5. This is a ground return that, on the host board, requires a 4.7kΩ to 10kΩ pull-up resistor to the Host\_Vcc.
6. Rate Select can also be set through the 2-wire bus in accordance with SFF-8472 v. 12.1. Rx Rate Select is set at Bit 3, Byte 110, and Address A2h, and Tx Rate Select is set at Bit 3, Byte 118, and Address A2h.  
**Note:** Writing a "1" selects maximum bandwidth operation. Rate Select is the logic OR of the input state of the Rate Select Pin and 2-wire bus.

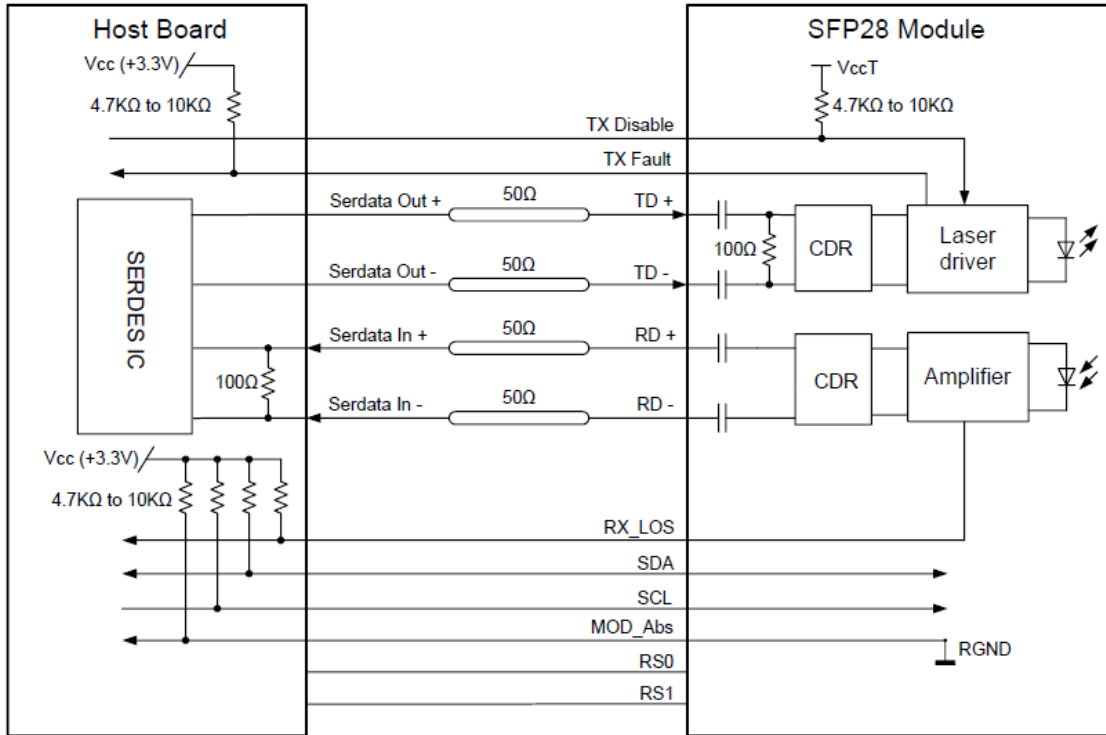
### Electrical Pin-Out Details



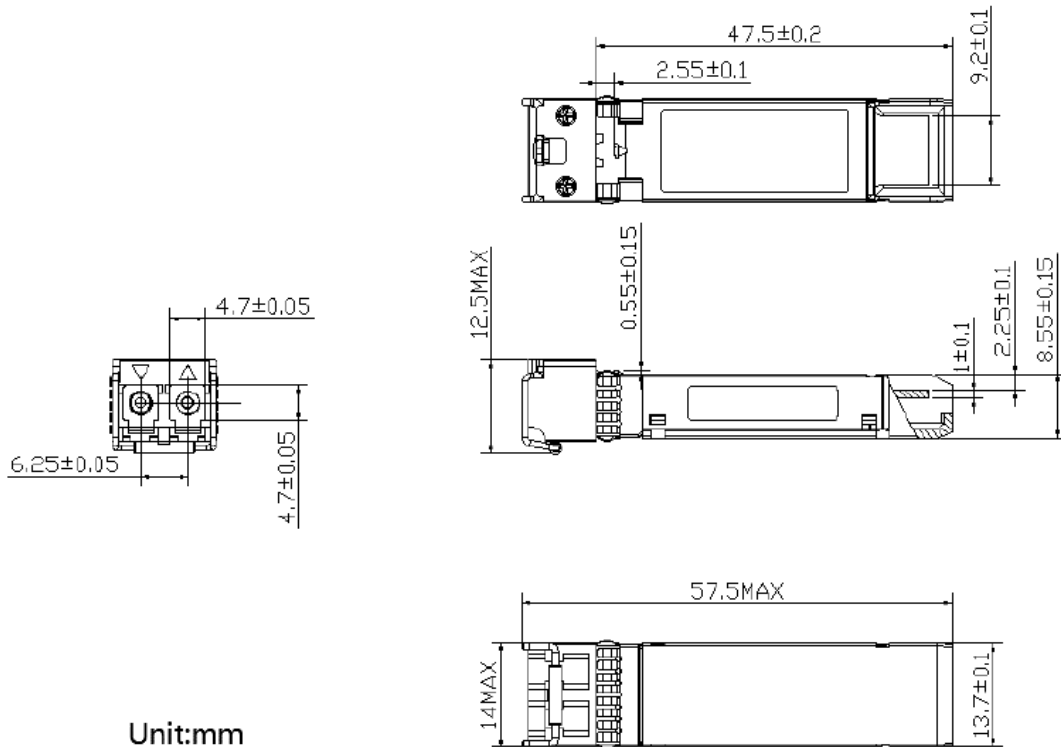
### Host Board Power Supply Filter Network



## Block Diagram



## Mechanical Specifications



## About ProLabs

Our extensive experience comes as standard. For over 20 years ProLabs has delivered optical connectivity solutions that give our customers freedom and choice through our ability to provide seamless interoperability. At the heart of our company is the ability to provide state-of-the-art optical transport and connectivity solutions that are compatible with more than 100 optical switching and transport platforms.

## A Complete Portfolio of Network Solutions

ProLabs is focused on innovations in optical transport and connectivity. The combination of our knowledge of optics and networking equipment enables ProLabs to be your single source for optical transport and connectivity solutions from 100Mb to 1.6T while providing innovative solutions that increase network efficiency. We provide the optical connectivity expertise that is compatible with and enhances your switching and transport equipment.

## The Trusted Partner

Customer service is our number one value. ProLabs has invested in people, labs and manufacturing capacity to ensure compatible products, and immediate answers to your questions. With Engineering and Manufacturing offices in the U.K. and U.S. augmented by field offices throughout the U.S., U.K. and Asia, ProLabs is able to be our customers best advocate 24 hours a day.



## Contact Information

ProLabs US

Email: [sales@prolabs.com](mailto:sales@prolabs.com)

Telephone: 952-852-0252

ProLabs UK

Email: [salessupport@prolabs.com](mailto:salessupport@prolabs.com)

Telephone: +44 1285 719 600