

JD486A-C

HP® JD486A Compatible TAA 1000Base-LX GBIC Transceiver (SMF, 1310nm, 10km, SC)

Features:

- SFF-8053 Compliance
- Duplex SC Connector
- Single-mode Fiber
- Commercial Temperature 0 to 70 Celsius
- Hot Pluggable
- Metal with Lower EMI
- Excellent ESD Protection
- RoHS Compliant and Lead Free



Applications:

- 1000Base-LX Ethernet
- 1x Fibre Channel
- Access and Enterprise

Product Description

This HP® JD486A compatible GBIC transceiver provides 1000Base-LX throughput up to 10km over single-mode fiber (SMF) using a wavelength of 1310nm via a SC connector. It is guaranteed to be 100% compatible with the equivalent HP® transceiver. This easy to install, hot swappable transceiver has been programmed, uniquely serialized and data-traffic and application tested to ensure that it will initialize and perform identically. It is built to meet or exceed the specifications of HP®, as well as to comply with MSA (Multi-Source Agreement) standards to ensure seamless network integration. This transceiver is Trade Agreements Act (TAA) compliant. We stand behind the quality of our products and proudly offer a limited lifetime warranty.

ProLabs' transceivers are RoHS compliant and lead-free.

TAA refers to the Trade Agreements Act (19 U.S.C. & 2501-2581), which is intended to foster fair and open international trade. TAA requires that the U.S. Government may acquire only "U.S. – made or designated country end products."



Absolute Maximum Ratings

| Parameter | Symbol | Min. | Max. | Unit |
|---------------------|-----------------|------|------|------|
| Supply Voltage | V _{cc} | -0.5 | 4.0 | V |
| Storage Temperature | TS | -40 | 85 | °C |
| Operating Humidity | RH | 5 | 95 | % |

Recommended Operating Conditions

| Parameter | Symbol | Min. | Typ. | Max. | Unit |
|------------------------------|-----------------|------|-------|------|------|
| Power Supply Voltage | V _{cc} | 3.13 | 3.30 | 3.47 | V |
| Power Supply Current | I _{cc} | | | 250 | mA |
| Case Operating Temperature | T _c | 0 | | 70 | °C |
| Data Rate (Gigabit Ethernet) | | | 1.25 | | Gbps |
| Data Rate (Fibre Channel) | | | 1.063 | | Gbps |
| 9/125µm SMF | L | | | 10 | km |

Electrical Characteristics (TOP=25°C, V_{cc}=3.3V)

| Parameter | Symbol | Min. | Typ. | Max. | Unit | Notes |
|--------------------------------|----------------------|------|------|----------------------|------|-------|
| Transmitter | | | | | | |
| Input differential impedance | R _{in} | 85 | 100 | 115 | Ω | 1 |
| Single ended data input swing | V _{in, pp} | 250 | | 1200 | mV | |
| TX Disable-High | | 2 | | 3.45 | V | |
| TX Disable-Low | | 0 | | 0.8 | V | |
| TX Fault-High | | 2 | | V _{cc} +0.3 | V | |
| TX Fault-Low | | 0 | | 0.5 | V | |
| Receiver | | | | | | |
| Single ended data output swing | V _{out, pp} | 300 | 400 | 800 | mV | 2 |
| Data output rise time | t _r | | | 175 | ps | 3 |
| Data output fall time | t _f | | | 175 | ps | 3 |
| LOS-High | | 2 | | V _{cc} +0.3 | V | |
| LOS-Low | | 0 | | 0.8 | V | |

Notes:

1. AC coupled.
2. Into 100 ohm differential termination.
3. 20% - 80%

Optical and Electrical Characteristics

| Parameter | Symbol | Min. | Typ. | Max. | Unit | Notes |
|--------------------------|-------------|------|------|------|------|-------|
| Transmitter | | | | | | |
| Average Output Power | PO | -9 | | -3 | dBm | 1 |
| Optical Wavelength | λ | 1260 | 1310 | 1360 | nm | |
| Spectral Width | σ | | | 4 | nm | |
| Optical Rise/Fall Time | tr/tf | | | 260 | ps | 2 |
| Total Jitter | TJ | | | 56.5 | ps | |
| Optical Extinction Ratio | ER | 9 | | | dB | |
| Receiver | | | | | | |
| Receiver Sensitivity | RSENS | | | -20 | dBm | 3,4 |
| Maximum Received Power | RX_{MAX} | 0 | | | dBm | |
| Centre Wavelength | λ_C | 1270 | | 1600 | nm | |
| LOS De-Assert | LOSD | | | -21 | dBm | |
| LOS Assert | LOSA | -42 | | | dBm | |
| LOS Hysteresis | | 0.5 | | 5 | dB | |

Notes:

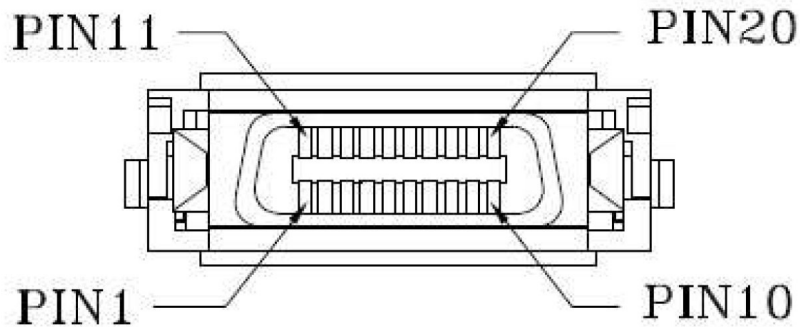
1. Class 1 Laser Safety.
2. Unfiltered, 20%-80%. Complies with GE and 1x FC eye masks when filtered.
3. Measured with conformance signals defined in FC-PI-2 Rev. 10.0 specifications.
4. Measured with PRBS 2⁷-1 at 10⁻¹⁰ BER.

Pin Descriptions

| Pin | Symbol | Name/Descriptions | Ref. |
|-----|-------------|--|------|
| 1 | RX_LOS | Receiver Loss of Signal, logic high, open collector compatible, 4.7K to 10K Ohm pullup to VDDT on host | 2 |
| 2 | RGND | Receiver Ground (may be connected with TGND in GBIC) | 2 |
| 3 | RGND | Receiver Ground (may be connected with TGND in GBIC) | 2 |
| 4 | MOD_DEF (0) | GBIC module definition and presence, bit 0, 4.7K to 10K Ohm pullup to VDDT on host | 2 |
| 5 | MOD_DEF (1) | GBIC module definition and presence, bit 1, 4.7K to 10K Ohm pullup to VDDT on host | 2 |
| 6 | MOD_DEF (2) | GBIC module definition and presence, bit 2, 4.7K to 10K Ohm pullup to VDDT on host | 2 |
| 7 | TX_DISABLE | Transmitter Disable, logic high, open collector compatible, 4.7K to 10K Ohm pullup to VDDT on GBIC | 2 |
| 8 | TGND | Transmitter Ground (maybe connected with RGND internally) | 2 |
| 9 | TGND | Transmitter Ground (maybe connected with RGND internally) | 2 |
| 10 | TX_FAULT | Transmitter Fault, logic high, open collector compatible, 4.7K to 10K Ohm pullup to VDDT on host | 2 |
| 11 | RGND | Receiver Ground (may be connected with TGND in GBIC) | 1 |
| 12 | -RX_DAT | Receive Data, Differential PECL | 1 |
| 13 | +RX_DAT | Receive Data, Differential PECL | 1 |
| 14 | RGND | Receiver Ground (may be connected with TGND in GBIC) | 1 |
| 15 | VDDR | Receiver +5 volt (maybe connected with VDDT in GBIC) | 2 |
| 16 | VDDT | Transmitter +5 volt (maybe connected with VDDR in GBIC) | 2 |
| 17 | TGND | Transmitter Ground (maybe connected with RGND internally) | 1 |
| 18 | +TX_DAT | Transmit Data, Differential PECL | 1 |
| 19 | -TX_DAT | Transmit Data, Differential PECL | 1 |
| 20 | TGND | Transmitter Ground (maybe connected with RGND internally) | 1 |

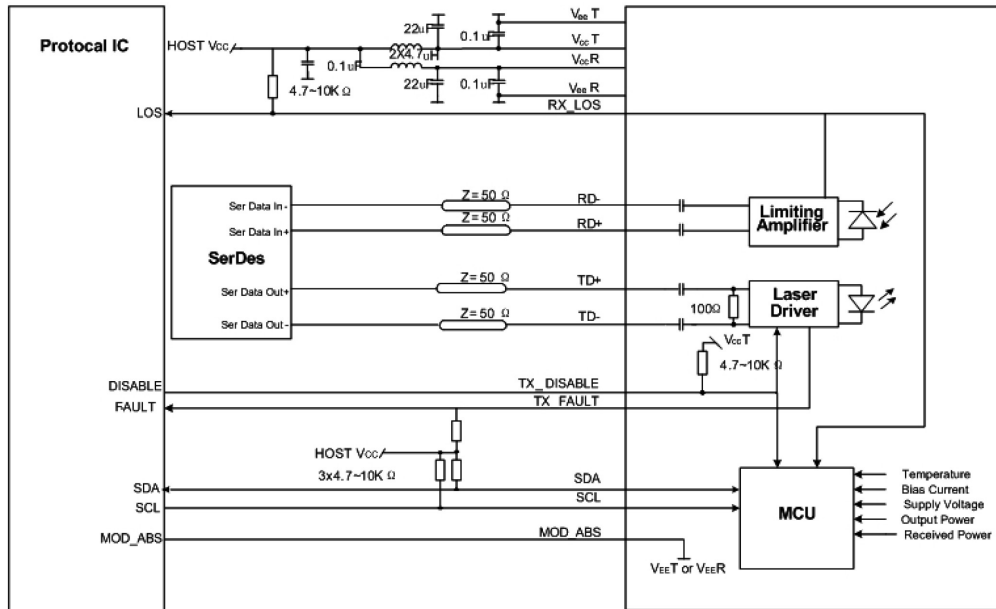
Notes:

1. TX Fault is open collector/drain output, which should be pulled up externally with a 4.7K – 10KΩ resistor on the host board to supply $<V_{ccT}+0.3V$ or $V_{ccR}+0.3V$. When high, this output indicates a laser fault of some kind. Low indicates normal operation. In the low state, the output will be pulled to $<0.8V$.
2. TX Disable input is used to shut down the laser output per the state table below. It is pulled up within the module with a 4.7-10K resistor. Low (0V-0.8V): Transmitter on between (0.8V and 2V): Undefined High (2.0-V_{ccT}): Transmitter Disabled Open: Transmitter Disabled.

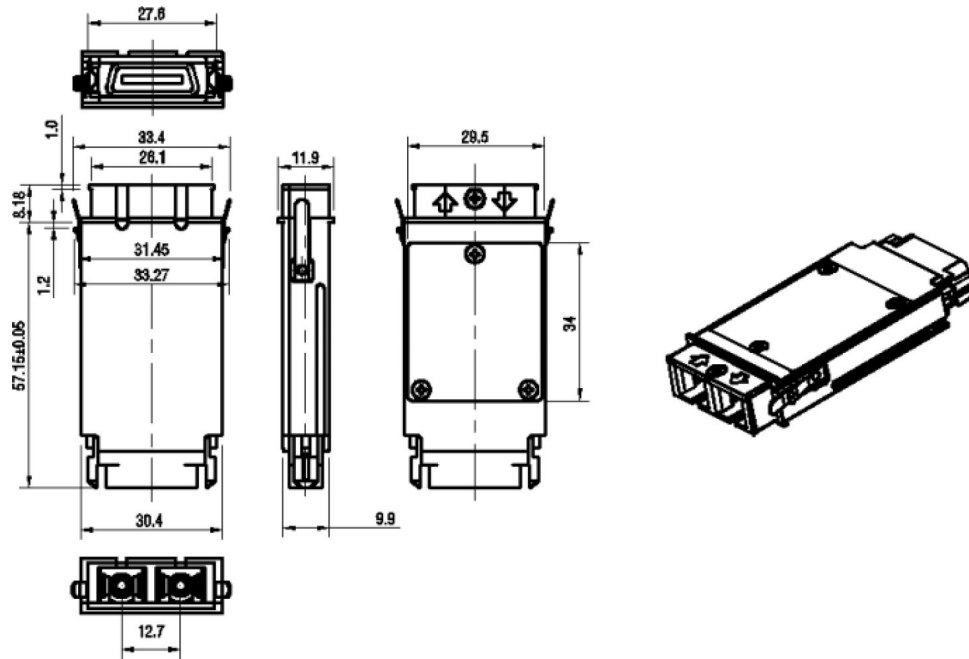


Pin-out of connector Block on Host board

Recommended Circuit Schematic

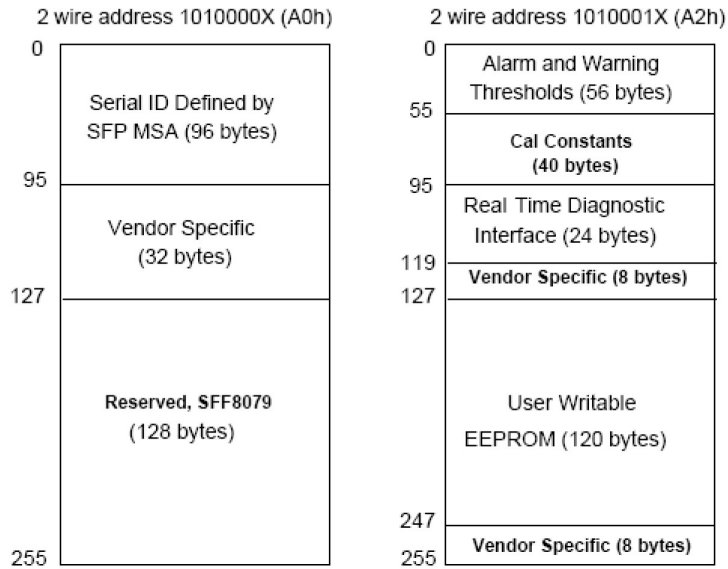


Mechanical Specifications



EEPROM Information

EEPROM memory map specific data field description is as below:



About ProLabs

Our experience comes as standard; for over 15 years ProLabs has delivered optical connectivity solutions that give our customers freedom and choice through our ability to provide seamless interoperability. At the heart of our company is the ability to provide state-of-the-art optical transport and connectivity solutions that are compatible with over 90 optical switching and transport platforms.

Complete Portfolio of Network Solutions

ProLabs is focused on innovations in optical transport and connectivity. The combination of our knowledge of optics and networking equipment enables ProLabs to be your single source for optical transport and connectivity solutions from 100Mb to 400G while providing innovative solutions that increase network efficiency. We provide the optical connectivity expertise that is compatible with and enhances your switching and transport equipment.

Trusted Partner

Customer service is our number one value. ProLabs has invested in people, labs and manufacturing capacity to ensure that you get immediate answers to your questions and compatible product when needed. With Engineering and Manufacturing offices in the U.K. and U.S. augmented by field offices throughout the U.S., U.K. and Asia, ProLabs is able to be our customers best advocate 24 hours a day.



Contact Information

ProLabs US

Email: sales@prolabs.com

Telephone: 952-852-0252

ProLabs UK

Email: salessupport@prolabs.com

Telephone: +44 1285 719 600