

## TTD4580-39-PI-AO

Arris® TTD4580-39-PI Compatible TAA 10GBase-DWDM SFP+ Transceiver (SMF, 1546.12nm, 80km, LC, DOM, -40 to 95C)

### Features

- Cooled DWDM EML Transmitter with TEC
- Supports 9.95Gbps to 11.3Gbps Bit Rates
- APD Receiver
- LC/UPC Duplex Optical Connector Interface
- Power Consumption: 2.8W
- Maximum Link Length of 80km
- Compliant to SFF-8431 for Electrical Interface; SFF-8432 for Mechanical Interface
- Single 3.3V Power Supply
- Operating Temperature: -40 to 95 Celsius
- Hot-Pluggable
- RoHS Compliant and Lead-Free



### Applications

- 8x/10x Fibre Channel
- 10x Gigabit Ethernet over DWDM
- Access, Metro and Enterprise

### Product Description

This Arris® TTD4580-39-PI compatible SFP+ transceiver provides 10GBase-DWDM throughput up to 80km over single-mode fiber (SMF) using a wavelength of 1546.12nm via an LC connector. It can operate at temperatures between -40 and 95C. It is guaranteed to be 100% compatible with the equivalent Arris® transceiver. This easy to install, hot swappable transceiver has been programmed, uniquely serialized and data-traffic and application tested to ensure that it will initialize and perform identically. Digital optical monitoring (DOM) support is also present to allow access to real-time operating parameters. This transceiver is Trade Agreements Act (TAA) compliant. We stand behind the quality of our products and proudly offer a limited lifetime warranty.

AddOn's transceivers are RoHS compliant and lead-free.

TAA refers to the Trade Agreements Act (19 U.S.C. & 2501-2581), which is intended to foster fair and open international trade. TAA requires that the U.S. Government may acquire only "U.S.-made or designated country end products."



## Wavelength Guide (100GHz ITU-T Channels)

ITU Channel #	Frequency (THz)	Center Wavelength (nm)
17	191.7	1563.86
18	191.8	1563.05
19	191.9	1562.23
20	192.0	1561.42
21	192.1	1560.61
22	192.2	1559.79
23	192.3	1558.98
24	192.4	1558.17
25	192.5	1557.36
26	192.6	1556.55
27	192.7	1555.75
28	192.8	1554.94
29	192.9	1554.13
30	193.0	1553.33
31	193.1	1552.52
32	193.2	1551.72
33	193.3	1550.92
34	193.4	1550.12
35	193.5	1549.32
36	193.6	1548.51
37	193.7	1547.72
38	193.8	1546.92
39	193.9	1546.12
40	194.0	1545.32
41	194.1	1544.53
42	194.2	1543.73
43	194.3	1542.94
44	194.4	1542.14
45	194.5	1541.35
46	194.6	1540.56
47	194.7	1539.77
48	194.8	1538.98
49	194.9	1538.19
50	195.0	1537.40
51	195.1	1536.61
52	195.2	1535.82
53	195.3	1535.04

54	195.4	1534.25
55	195.5	1533.47
56	195.6	1532.68
57	195.7	1531.90
58	195.8	1531.12
59	195.9	1530.33
60	196.0	1529.55

### Absolute Maximum Ratings

Parameter	Symbol	Min.	Typ.	Max.	Unit	Notes
Data Rate	DR		10.3125		Gbps	1
Storage Temperature	Tstg	-40		95	°C	
Operating Relative Humidity	RH	0		85	%	2
Operating Temperature	Tc	-40		95		3
Maximum Supply Voltage	VccT, VccR	-0.5		4.0	V	

#### Notes:

1. Distances are calculated for worst-case fiber and transceiver characteristics based on the optical and electrical specifications shown in this document using techniques specified in IEEE 802.3. These distances are consistent with those specified for 10GBASE-ZR and 10GBASE-ZW.
2. Non-condensing.
3. With airflows.

## Electrical Characteristics

Parameter	Symbol	Min.	Typ.	Max.	Unit	Notes
Transmitter Differential Input Voltage	Vp	2.5			V	
Module Supply Voltage	VccT, VccR	+3.135		-3.465	V	
Total Power Consumption	PC			2.8	W	1
Power Supply Noise Tolerance	PSNT			66	mVp-p	2
<b>Low-Speed Signal Electrical Characteristics</b>						
Tx_Fault, Rx_LOS	VOL	-0.3		0.4	V	3
	VOH	-50		37.5	μA	4
Tx_Disable, RS0, RS1	VIL	-0.3		0.8	V	5
	VIH	2.0		VccT + 0.3	V	5
<b>Low-Speed Signals Timing Specifications</b>						
Tx_Disable Assert Time	t_off			100	μs	6
Tx_Disable Negate Time	t_on			2	ms	7
Time to Initialize (Cold and Warm Start Time)	t_start_up			90	s	8, 9
Rx_LOS Assert Delay	t_los_on			100	μs	10
Rx_LOS Negate Delay	t_los_off			100	μs	11
Tx_Fault Assert	tx_fault_on			1	ms	12
Tx_Fault Reset	t_reset	10			μs	13

### Notes:

1. With airflows.
2. 10Hz to 10MHz.
3. At 0.7mA.
4. Measured with a 4.7kΩ load pull up to the Host\_Vcc.
5. Tx\_Disable has an internal 4.7kΩ to 10kΩ pull up to the VccT.
6. Rising edge of Tx\_Disable to fall of output signal below 10% of nominal.
7. Falling edge of Tx\_Disable to rise of output signal above 90% of nominal. This only applies in normal operation, not during start up or fault recovery.
8. Time from power on or falling edge of Tx\_Disable to when the modulated optical output rises above 90% of nominal and the 2-wire interface is available.
9. Cooled type.
10. From occurrence of loss of signal to assertion of Rx\_LOS.
11. From occurrence of presence of signals to negation of Rx\_LOS.
12. From occurrence of fault to assertion of Tx\_Fault.
13. Time Tx\_Disable must be held high to reset the Tx\_Fault.

## High-Speed Signal Electrical Characteristics

Parameter	Symbol	Min.	Typ.	Max.	Unit	Notes
<b>Module Transmitter Input Electrical Specifications at B'</b>						
Tx Input Differential Voltage	VI	190		700	mV	1
Differential Input Resistance	RI	95	100	105	Ω	
Differential Input S-Parameter (Note 2)	SDD11			Note 3	dB	3
				Note 4	dB	4
Reflected Differential to Common-Mode Conversion	SCD11			-10	dB	5
<b>Module Receiver Output Electrical Specifications at C'</b>						
Rx Output Differential Voltage	VO	300		850	mV	1
Termination Mismatch at 1MHz	ΔZM			5	%	
Single-Ended Output Voltage Tolerance		-0.3		4.0	V	
Output AC Common-Mode Voltage				7.5	mV	6
Differential Output S-Parameter	SDD22			Note 6	dB	7
				Note 7	dB	8
Common-Mode Output Reflection Coefficient	SCC22			Note 8	dB	9
				-3	dB	10
Rx Output Rise/Fall Time	Tr/Tf	28			ps	11
Rx Output Total Jitter	TJ			0.70	UIp-p	
Rx Output Deterministic Jitter	DJ			0.42	UIp-p	

### Notes:

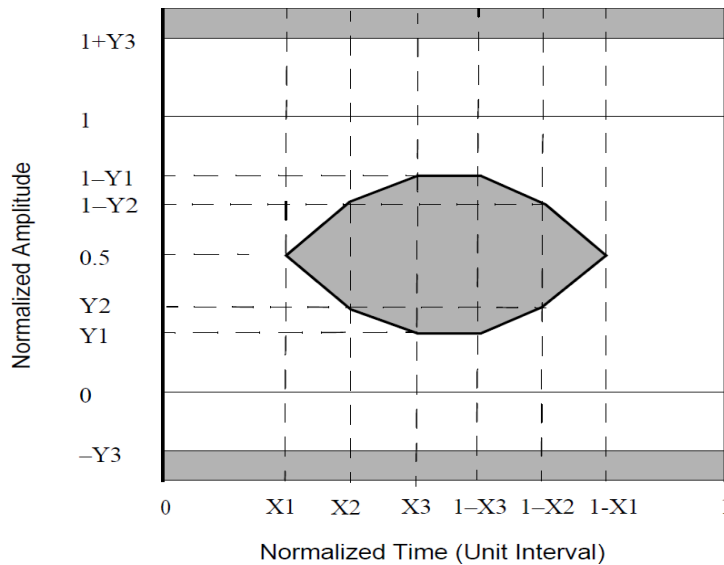
1. Voltage swing for 1G operation is equivalent to voltage swing in 10G operation.
2. Measured at B'' with Host Compliance Board and Module Compliance Board pair.
3. Reflection Coefficient given by equation SDD11 (dB) <  $-12 + 2 \times \text{SQRT}(f)$ , with f in GHz. 0.01 to 4.1GHz.
4. Reflection Coefficient given by equation SDD11 (dB) <  $-6.3 + 13 \times \log_{10}(f/5.5)$ , with f in GHz. 4.1 to 11.1GHz.
5. 0.01 to 11.1GHz.
6. The RMS value is measured by calculating the standard deviation of the histogram for one UI of the common mode signal.
7. Reflection Coefficient given by equation SDD22 (dB) <  $-12 + 2 \times \text{SQRT}(f)$ , with f in GHz. 0.01 to 4.1GHz.
8. Reflection Coefficient given by equation SDD22 (dB) <  $-6.3 + 13 \times \log_{10}(f/5.5)$ , with f in GHz. 4.1 to 11.1GHz.
9. Reflection Coefficient given by equation SCC22 (dB) <  $-7 + 1.6 \times f$ , with f in GHz. 0.01 to 2.5GHz.
10. 2.5 to 11.1GHz.
11. 20-80%.

## Optical Characteristics

Parameter	Symbol	Min.	Typ.	Max.	Unit	Notes
<b>Transmitter</b>						
Peak Wavelength	$\lambda_P$	ITU-T 694.1 Grid Wavelength			nm	1
Center Wavelength Spacing		100			GHz	
Spectral Width at -20dB	$\Delta\lambda$ -20dB			0.30	nm	2
Side-Mode Suppression Ratio	SMSR	30.0			dB	
Average Optical Power	PAVE	0		+5.0	dBm	
Extinction Ratio	ER	8.2			dB	3
Transmitter and Dispersion Penalty	TDP			3.5	dB	
Laser Off Power	P <sub>off</sub>			-30.0	dBm	
Relative Intensity Noise	RIN <sub>12</sub> OMA			-128.0	dB/Hz	
Wavelength Stability After Start-Up		$\lambda_P - 100$		$\lambda_P + 100$	pm	
Transmitter Output Eye Mask	IEEE 802.3-2012 Clause 52.9.7					7
<b>Receiver</b>						
Operating Wavelength	$\lambda_O$	1260		1600	nm	
Receiver Sensitivity (Average)	S			-23.0	dBm	4
Receiver Power (Pave) Overload	OL	-6.0			dBm	4
Sensitivity (OMA)	SOMA			-21.9	dBm	4
Receiver Reflectance	RR			-27.0	dB	5
Loss of Signal - Asserted	LOSA	-37.0			dBm	6
Loss of Signal - De-Asserted	LOSD			-24.0	dBm	6
Loss of Signal Hysteresis	LOSH	0.5	2.5	5.0	dB	

### Notes:

1. See 100GHz ITU-T Channels Wavelength Guide.
2. At -20dB.
3. At 10.3Gbps, PRBS 2<sup>31</sup>-1.
4. Measured with at 10.3125Gbps, ER>8.2dB, PRBS 2<sup>31</sup>-1, and BER<1x10<sup>-12</sup>.
5. At  $\lambda_O$ .
6. Loss of Signal (LOS) detection responds only to OMA and the indicator will respond unpredictably with the application of un-modulated optical.
7. See Eye Mask Diagram below.



## 2-Wire Interface Electrical Specifications

Parameter	Symbol	Min.	Typ.	Max.	Unit	Notes
Host 2-Wire Vcc	VccH	3.14		3.46	V	1
SCL and SDA	VOL	0.0		0.8	V	2
	VOH	Vcch-0.5		Vcch+0.3	V	
SCL and SDA	VIL	-0.3		VccT*0.3	V	3
	VIH	VccT*0.7		VccT+0.5	V	
Input Current on the SCL and SDA Contacts	li	-10		10	μA	
Capacitance on SCL and SDA Contacts	Ci			14	pF	4
Total Bus Capacitance for SCL and SDA	Cb			100	pF	5, 6
				290	pF	5, 7

### Notes:

1. The host 2-wire Vcc is the voltage used for resistive pull-ups for the 2-wire interface.
2. RP pulled to VccT/R. Rp is the pull-up resistor. Active bus termination may be used by the host in place of a pull up resistor. Pull-ups can be connected to any one of several power supplies; however, the host board design shall ensure that no module contact has voltage exceeding module VccT/R+0.5V nor requires the module to sink more than 3.0mA current.
3. These voltages are measured on the other side of the connector to the device under test.
4. Ci is the capacitance looking into the module SCL and SDA contacts.
5. Cb is the total bus capacitance on the SCL or SDA bus.
6. At 400kHz, 3.0kΩ Rp, max. At 100kHz, 8.0kΩ Rp, max.
7. At 400kHz, 1.1kΩ Rp, max. At 100kHz, 2.75kΩ Rp, max.

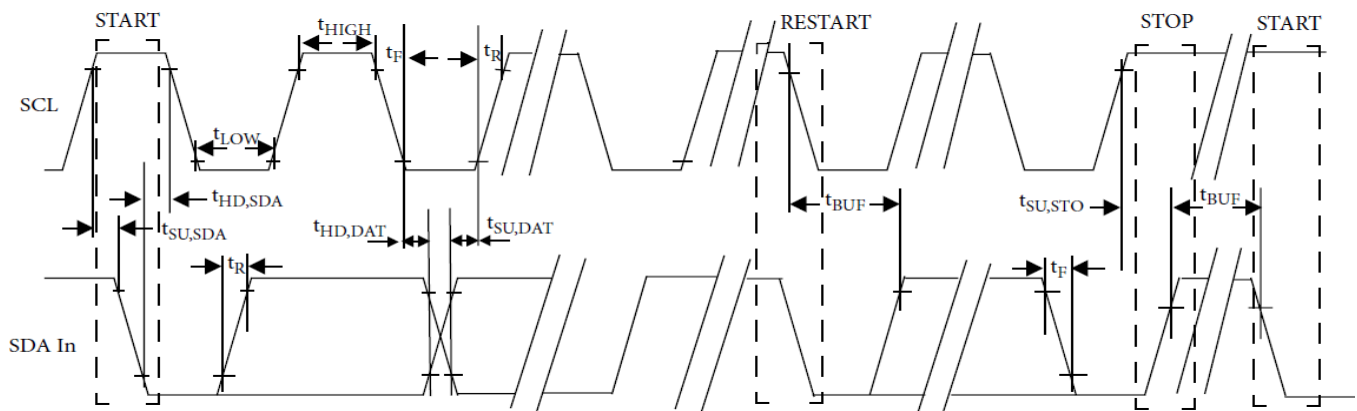
## 2-Wire Timing Specifications

Parameter	Symbol	Min.	Typ.	Max.	Unit	Notes
Clock Frequency	fSCL	0		400	kHz	1
Clock Pulse Width Low	tLOW	1.3			μs	
Clock Pulse Width High	tHIGH	0.6			μs	
Stop to Start Time	tBUF	20			μs	2
Start Hold Time	tHD,STA	0.6			μs	
Start Set-Up Time	tSU,STA	0.6			μs	
Data In Hold Time	tHD,DAT	0			μs	
Data In Set-Up Time	tSU,DAT	0.1			μs	
Input Rise Time (100kHz)	tR,100			1000	ns	3
Input Rise Time (400kHz)	tR,400			300	ns	3
Input Fall Time (100kHz)	tF,100			300	ns	4
Input Fall Time (400kHz)	tF,400			300	ns	4
Stop Set-Up Time	tSU,STO	0.6			μs	
Serial Interface Clock Holdoff "Clock Stretching"	t_clock_hold			500	μs	5

### Notes:

1. Module shall operate with fSCL up to 100kHz without requiring clock stretching. The module may clock stretch with fSCL greater than 100kHz and up to 400kHz.
2. Between STOP and START and between ACK and restart.
3. From (VIL, MAX. - 0.15) to (VIH, MIN. + 0.15).
4. From (VIH, MIN. + 0.15) to (VIL, MAX. - 0.15).
5. Maximum time the module may hold the SCL line low before continuing with a read or write operation.

### 2-Wire Bus Timing Diagram





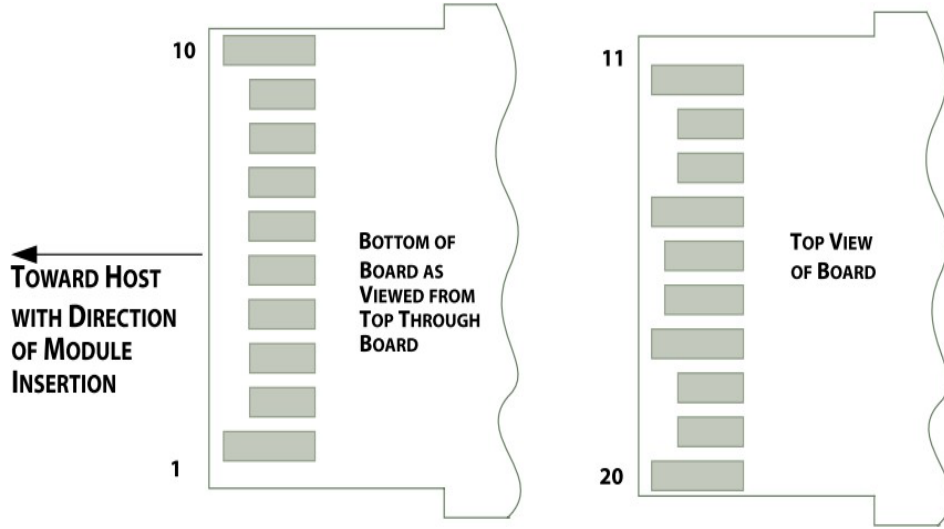
## Pin Descriptions

Pin	Symbol	Name/Description	Plug Seq.	Notes
1	VeeT	Transmitter Signal Ground.	1 <sup>st</sup>	
2	Tx_Fault	Transmitter Fault (LVTTL-O) – High indicates a fault condition.	3 <sup>rd</sup>	1
3	Tx_Disable	Transmitter Disable (LVTTL-I) – High or open disables the transmitter.	3 <sup>rd</sup>	2
4	SDA	2-Wire Serial Interface Data Line (LVCMOS – I/O). Same as MOD-DEF2 in INF-8074.	3 <sup>rd</sup>	3
5	SCL	2-Wire Serial Interface Clock Line (LVCMOS – I/O). Same as MOD-DEF1 in INF-8074.	3 <sup>rd</sup>	3
6	MOD_ABS	Module Absent. Controlled by the module.	3 <sup>rd</sup>	4
7	RS0	Receiver Rate Select 0. Not Used. Internally pulled down, 51kΩ.	3 <sup>rd</sup>	
8	RX_LOS	Receiver Loss of Signal Indication (LVTTL-O).	3 <sup>rd</sup>	1
9	RS1	Transmitter Rate Select 1. Not Used. Internally pulled down, 51kΩ.	3 <sup>rd</sup>	
10	VeeR	Receiver Signal Ground.	1 <sup>st</sup>	
11	VeeR	Receiver Signal Ground.	1 <sup>st</sup>	
12	RD-	Receiver Data Output, Inverted (CML-O).	3 <sup>rd</sup>	
13	RD+	Receiver Data Output, Non-Inverted (CML-O).	3 <sup>rd</sup>	
14	VeeR	Receiver Signal Ground.	1 <sup>st</sup>	
15	VccR	Receiver Power +3.3V.	2 <sup>nd</sup>	
16	VccT	Transmitter Power +3.3V.	2 <sup>nd</sup>	
17	VeeT	Transmitter Signal Ground.	1 <sup>st</sup>	
18	TD+	Transmitter Data Input, Non-Inverted (CML-I).	3 <sup>rd</sup>	
19	TD-	Transmitter Data Input, Inverted (CML-I).	3 <sup>rd</sup>	
20	VeeT	Transmitter Signal Ground.	1 <sup>st</sup>	

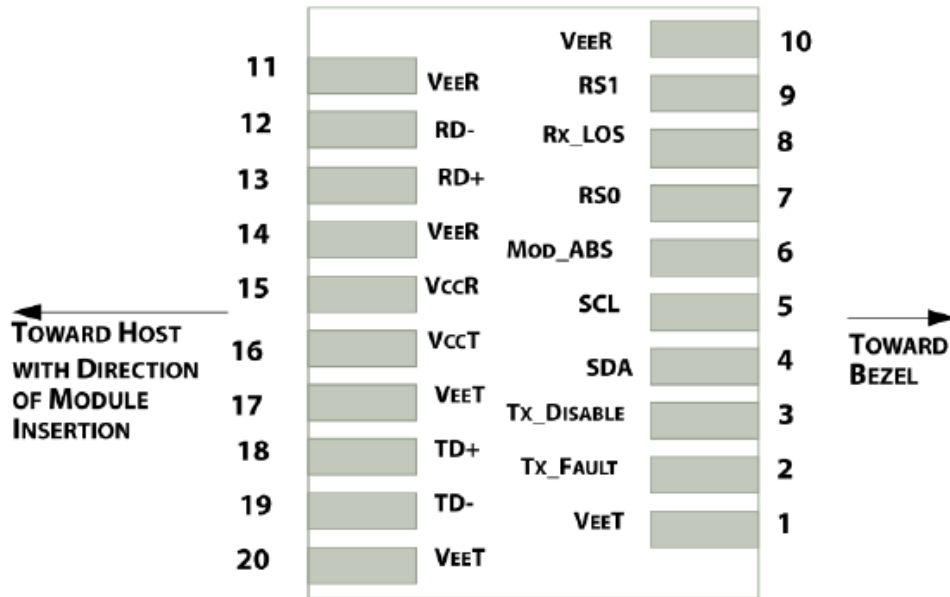
### Notes:

1. This is an open drain output that, on the host board, requires a 4.7kΩ to 10kΩ pull-up resistor to the Host\_Vcc.
2. This input is internally biased high with a 4.7kΩ to 10kΩ pull-up resistor to the VccT.
3. 2-wire serial interface clock and data lines require an external pull-up resistor dependent on the capacitance load.
4. They must be pulled up with a 4.7kΩ to 10kΩ resistor on the host board. MOD\_ABS is grounded by the module to indicate that the module is present.

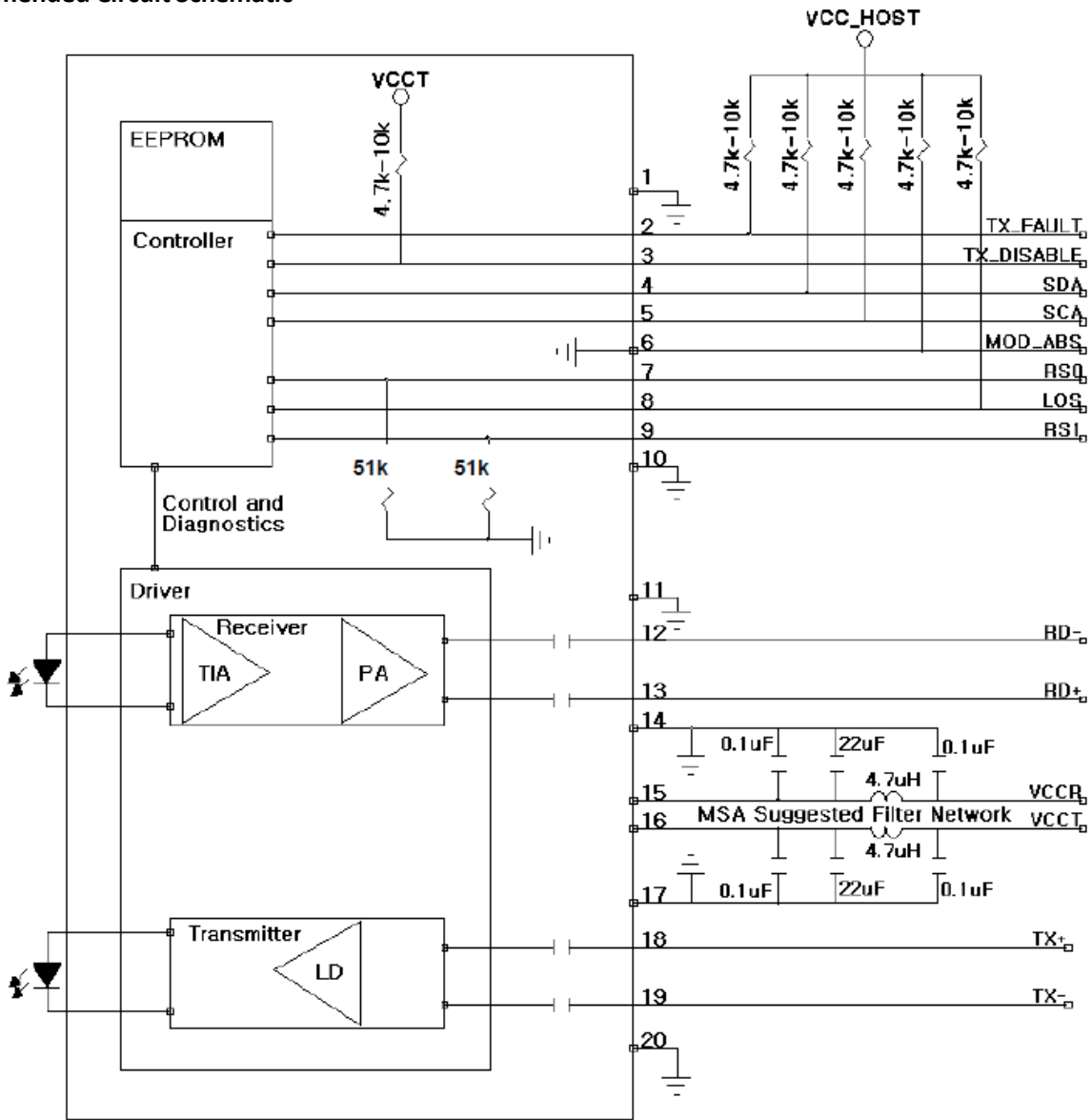
### Electrical Pad Layout



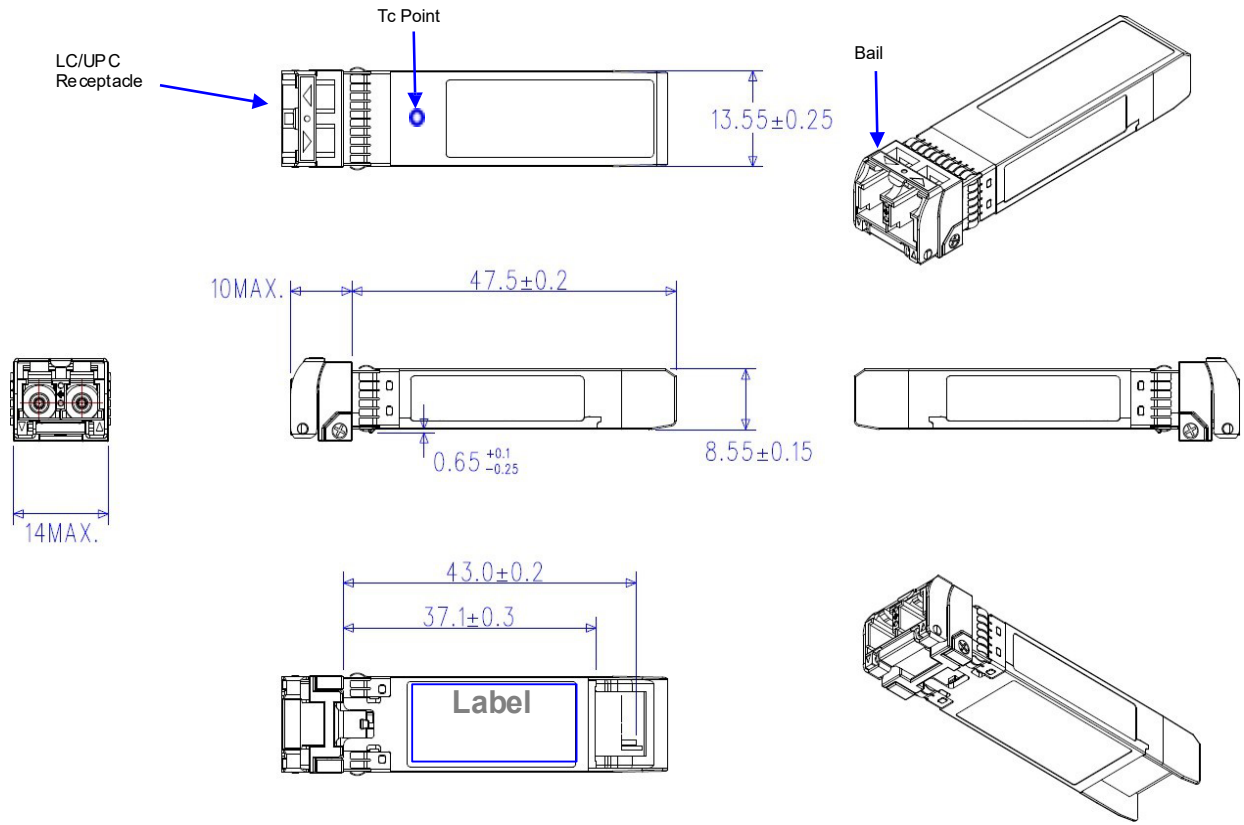
### Host Board



# Recommended Circuit Schematic



# Mechanical Specifications



## About AddOn Networks

In 1999, AddOn Networks entered the market with a single product. Our founders fulfilled a severe shortage for compatible, cost-effective optical transceivers that compete at the same performance levels as leading OEM manufacturers. Adhering to the idea of redefining service and product quality not previously had in the fiber optic networking industry, AddOn invested resources in solution design, production, fulfillment, and global support.

Combining one of the most extensive and stringent testing processes in the industry, an exceptional free tech support center, and a consistent roll-out of innovative technologies, AddOn has continually set industry standards of quality and reliability throughout its history.

Reliability is the cornerstone of any optical fiber network and is engrained in AddOn's DNA. It has played a key role in nurturing the long-term relationships developed over the years with customers. AddOn remains committed to exceeding industry standards with certifications from ranging from NEBS Level 3 to ISO 9001:2005 with every new development while maintaining the signature reliability of its products.



## U.S. Headquarters

Email: [sales@addonnetworks.com](mailto:sales@addonnetworks.com)

Telephone: +1 877.292.1701

Fax: 949.266.9273

## Europe Headquarters

Email: [salesupportemea@addonnetworks.com](mailto:salesupportemea@addonnetworks.com)

Telephone: +44 1285 842070