

SFP-25GB-DW34-10-J-C

Juniper Networks® Compatible TAA 25GBase-DWDM SFP28 Transceiver C-Band 100GHz (SMF, 1550.12nm, 10km, LC, DOM)

Features:

- SFF-8432 and SFF-8472 Compliance
- Duplex LC Connector
- Single-mode Fiber
- Commercial Temperature 0 to 70 Celsius
- Hot Pluggable
- Metal with Lower EMI
- Excellent ESD Protection
- RoHS Compliant and Lead Free



Applications:

- 25x Gigabit Ethernet over DWDM
- Access and Enterprise

Product Description

This Juniper Networks® compatible SFP28 transceiver provides 25GBase-DWDM throughput up to 10km over single-mode fiber (SMF) using a wavelength of 1550.12nm via an LC connector. It can operate at temperatures between 0 and 70C. Our transceiver is built to meet or exceed OEM specifications and is guaranteed to be 100% compatible with Juniper Networks®. It has been programmed, uniquely serialized, and tested for data-traffic and application to ensure that it will initialize and perform identically. All of our transceivers comply with Multi-Source Agreement (MSA) standards to provide seamless network integration. Additional product features include Digital Optical Monitoring (DOM) support which allows access to real-time operating parameters. This transceiver is Trade Agreements Act (TAA) compliant. We stand behind the quality of our products and proudly offer a limited lifetime warranty.

ProLabs' transceivers are RoHS compliant and lead-free.

TAA refers to the Trade Agreements Act (19 U.S.C. & 2501-2581), which is intended to foster fair and open international trade. TAA requires that the U.S. Government may acquire only "U.S.-made or designated country end products."



Regulatory Compliance

- ESD to the Electrical PINs: compatible with MIL-STD-883E Method 3015.4
- ESD to the LC Receptacle: compatible with IEC 61000-4-3
- EMI/EMC compatible with FCC Part 15 Subpart B Rules, EN55022:2010
- Laser Eye Safety compatible with FDA 21CFR, EN60950-1& EN (IEC) 60825-1,2
- RoHS compliant with EU RoHS 2.0 directive 2015/863/EU

Wavelength Guide (100GHz ITU Channels)

| Channel | Wavelength (nm) | Frequency (THZ) | Channel | Wavelength (nm) | Frequency (THZ) |
|---------|-----------------|-----------------|---------|-----------------|-----------------|
| 21 | 1560.61 | 192.1 | 41 | 1544.53 | 194.1 |
| 22 | 1559.79 | 192.2 | 42 | 1543.73 | 194.2 |
| 23 | 1558.98 | 192.3 | 43 | 1542.94 | 194.3 |
| 24 | 1558.17 | 192.4 | 44 | 1542.14 | 194.4 |
| 25 | 1557.36 | 192.5 | 45 | 1541.35 | 194.5 |
| 26 | 1556.55 | 192.6 | 46 | 1540.56 | 194.6 |
| 27 | 1555.75 | 192.7 | 47 | 1539.77 | 194.7 |
| 28 | 1554.94 | 192.8 | 48 | 1538.98 | 194.8 |
| 29 | 1554.13 | 192.9 | 49 | 1538.19 | 194.9 |
| 30 | 1553.33 | 193.0 | 50 | 1537.4 | 195.0 |
| 31 | 1552.52 | 193.1 | 51 | 1536.61 | 195.1 |
| 32 | 1551.72 | 193.2 | 52 | 1535.82 | 195.2 |
| 33 | 1550.92 | 193.3 | 53 | 1535.04 | 195.3 |
| 34 | 1550.12 | 193.4 | 54 | 1534.25 | 195.4 |
| 35 | 1549.32 | 193.5 | 55 | 1533.47 | 195.5 |
| 36 | 1548.51 | 193.6 | 56 | 1532.68 | 195.6 |
| 37 | 1547.72 | 193.7 | 57 | 1531.9 | 195.7 |
| 38 | 1546.92 | 193.8 | 58 | 1531.12 | 195.8 |
| 39 | 1546.12 | 193.9 | 59 | 1530.33 | 195.9 |
| 40 | 1545.32 | 194.0 | 60 | 1529.55 | 196.0 |

Absolute Maximum Ratings

| Parameter | Symbol | Min. | Typ. | Max. | Unit | Notes |
|----------------------------|--------|-------|------|-------|------|-------|
| Maximum Supply Voltage | Vcc | -0.3 | | 4.0 | V | |
| Storage Temperature | TS | -40 | | 85 | °C | |
| Operating Case Temperature | Tc | 0 | | 70 | °C | |
| Relative Humidity | RH | 0 | | 85 | % | |
| Data Rate | BR | 24.33 | | 25.78 | Gbps | |

Electrical Characteristics

| Parameter | Symbol | Min. | Typ. | Max. | Unit | Notes |
|------------------------------------|---------------------------|------|------|----------------------|-------|-------|
| Supply Voltage | V _{CC} | 3.13 | | 3.47 | | |
| Power Dissipation | PD | | | 2.0 | W | |
| Transmitter | | | | | | |
| Data Input Swing Differential | V _{IN} | 190 | | 1000 | mV | |
| Differential line input Impedance | R _{IN} | 80 | 100 | 120 | Ohm | |
| Transmitter Fault Output-High | V _{FaultH} | 2 | | V _{CC} +0.3 | V | |
| Transmitter Fault Output-Low | V _{FaultL} | VEE | | VEE +0.8 | V | |
| Transmitter Disable Voltage-High | V _{DisH} | 2 | | V _{CC} +0.3 | V | |
| Transmitter Disable Voltage- low | V _{DisL} | VEE | | VEE +0.8 | V | |
| Receiver | | | | | | |
| Differential line Output Impedance | R _{OUT} | 80 | 100 | 120 | Ohm | |
| Differential Data Output Voltage | V _{DR} | 350 | | 850 | mVp-p | |
| LOS Output Voltage-High | V _{LOSH} | 2 | | V _{CC} +0.3 | V | |
| LOS Output Voltage-Low | V _{LOSL} | VEE | | VEE +0.8 | V | |
| Others | | | | | | |
| Cold-Start time | T _{start-cooled} | | | 35 | s | |

Optical Characteristics

| Parameter | Symbol | Min. | Typ. | Max. | Unit | Notes |
|--|-----------------------|---------|------|---------|-------|-------|
| Transmitter | | | | | | |
| Wavelength | λ | 1529.55 | | 1560.61 | nm | |
| Center Wavelength Spacing | | 100 | | | GHz | |
| Average Launched Power | P _O | -1 | | 5 | dBm | |
| Extinction Ratio | ER | 6 | | | dB | |
| Average Launched Power (Laser Off) | P _{off} | | | -30 | dBm | |
| Side-Mode Suppression Ratio | SMSR | 30 | | | dB | |
| Relative Intensity Noise | RIN ₂₀ OMA | | | -130 | dB/Hz | |
| Receiver | | | | | | |
| Center Wavelength | λ_{IN} | 1260 | | 1620 | nm | |
| Receiver Overload | P _{overload} | 2 | | | dBm | |
| Receiver Sensitivity @5E-5 BOL | P _{sen} BOL | | | -15 | dBm | |
| Receiver Sensitivity @5E-5 EOL | P _{sen} EOL | | | -14.5 | dBm | 1 |
| Receiver Sensitivity @5E-5 EOL after 10km fiber transmission | P _{sen1} EOL | | | -9.0 | dBm | 1 |
| Los Of Signal Assert | PA | -30 | | | dBm | |
| Los Of Signal De-assert | PD | | | -16 | dBm | |
| LOS -Hysteresis | P _{Hys} | 0.5 | | 6 | dB | |

Notes:

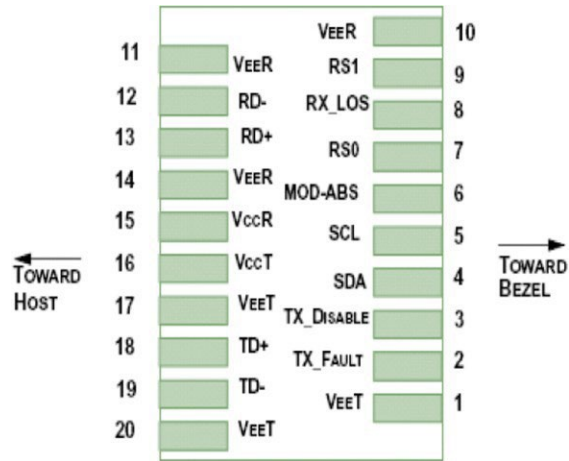
1. Measured at 5E-5, ER>4dB, PRBS 2³¹ -1

Pin Descriptions

| Pin | Symbol | Name/Descriptions | Ref. |
|-----|---------|--|------|
| 1 | VEET | Transmitter Ground | 1 |
| 2 | TFAULT | Transmitter Fault | 2 |
| 3 | TDIS | Transmitter Disable. Laser output disabled on high or open. | 3 |
| 4 | SDA | 2-wire Serial Interface Data Line | 2 |
| 5 | SCL | 2-wire Serial Interface Clock Line | 2 |
| 6 | MOD_ABS | Module Absent. Grounded within the module | 2 |
| 7 | NA | Not Used | |
| 8 | RX_LOS | Loss of Signal indication. Logic 0 indicates normal operation. | 4 |
| 9 | NA | No Used | |
| 10 | VEER | Receiver Ground | 1 |
| 11 | VEER | Receiver Ground | 1 |
| 12 | RD- | Receiver Inverted DATA out. AC Coupled. | |
| 13 | RD+ | Receiver Non-inverted DATA out. AC Coupled. | |
| 14 | VEER | Receiver Ground | 1 |
| 15 | VCCR | Receiver Power Supply | 5 |
| 16 | VCCT | Transmitter Power Supply | 5 |
| 17 | VEET | Transmitter Ground | 1 |
| 18 | TD+ | Transmitter Non-Inverted DATA in. AC Coupled. | |
| 19 | TD- | Transmitter Inverted DATA in. AC Coupled. | |
| 20 | VEET | Transmitter Ground | 1 |

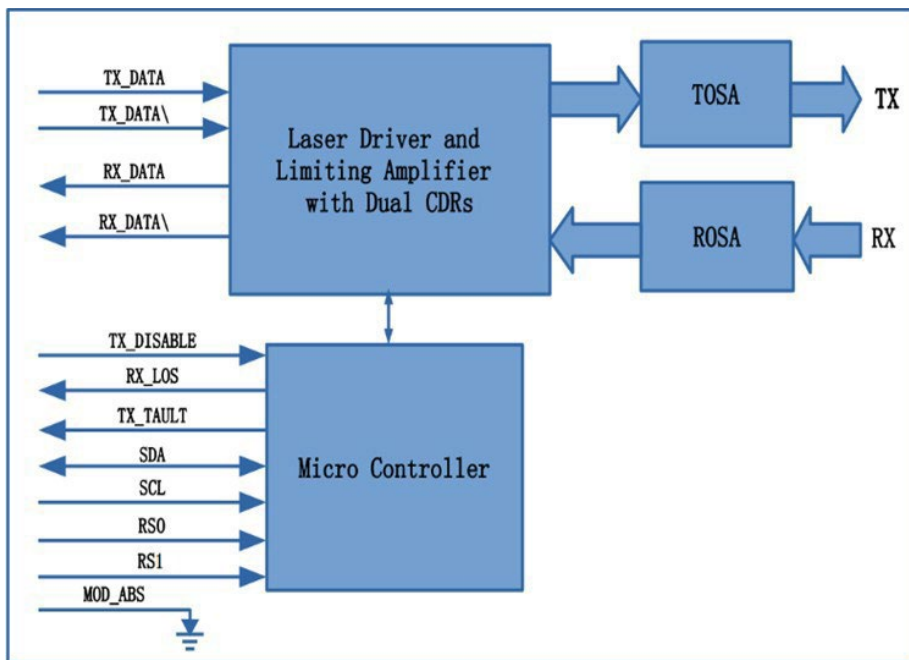
Notes:

1. Circuit ground is internally isolated from chassis ground.
2. T_{FAULT} is an open collector/drain output, which should be pulled up with a 4.7k – 10k Ohms resistor on the host board if intended for use. Pull up voltage should be between 2.0V to V_{cc} + 0.3V. A high output indicates a transmitter fault caused by either the TX bias current or the TX output power exceeding the preset alarm thresholds. A low output indicates normal operation. In the low state, the output is pulled to <0.8V.
3. Laser output disabled on T_{DIS} >2.0V or open, enabled on T_{DIS} <0.8V.
4. LOS is open collector output. Should be pulled up with 4.7k – 10kΩ on host board to a voltage between 2.0V and 3.6V. Logic 0 indicates normal operation; logic 1 indicates loss of signal.
5. Internally connected

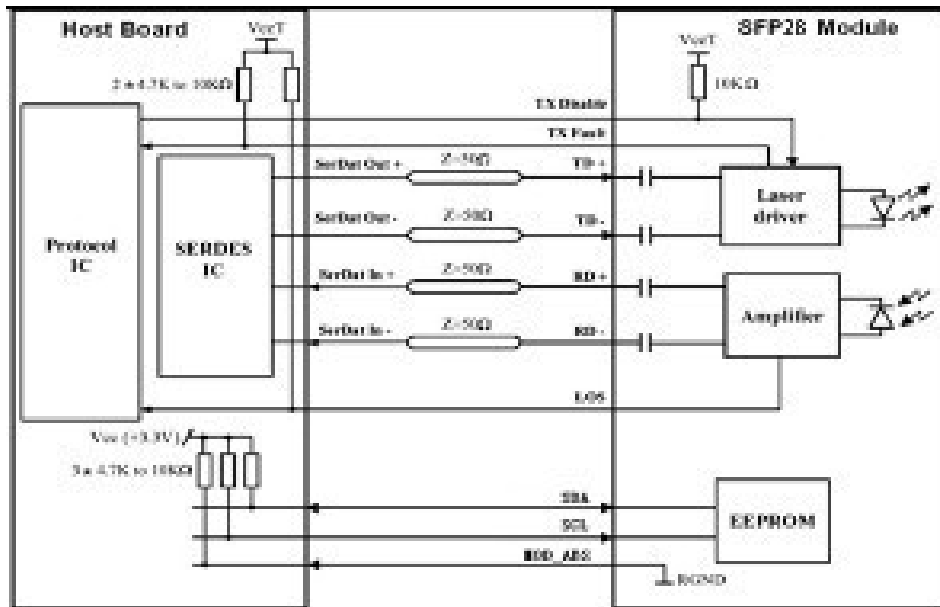


Pin-out of connector Block on Host board

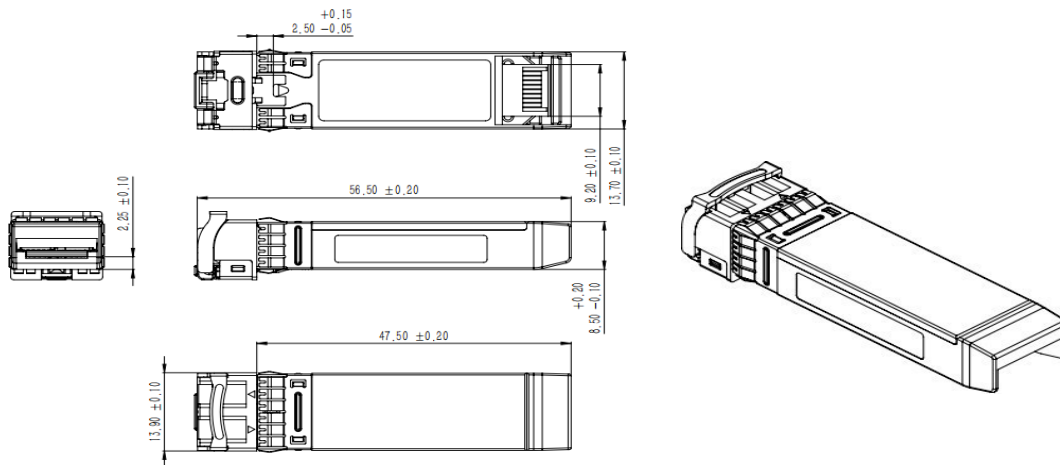
Block Diagram of Transceiver



Recommended Interface Circuit



Mechanical Specifications



About ProLabs

Our extensive experience comes as standard. For over 20 years ProLabs has delivered optical connectivity solutions that give our customers freedom and choice through our ability to provide seamless interoperability. At the heart of our company is the ability to provide state-of-the-art optical transport and connectivity solutions that are compatible with more than 100 optical switching and transport platforms.

A Complete Portfolio of Network Solutions

ProLabs is focused on innovations in optical transport and connectivity. The combination of our knowledge of optics and networking equipment enables ProLabs to be your single source for optical transport and connectivity solutions from 100Mb to 1.6T while providing innovative solutions that increase network efficiency. We provide the optical connectivity expertise that is compatible with and enhances your switching and transport equipment.

The Trusted Partner

Customer service is our number one value. ProLabs has invested in people, labs and manufacturing capacity to ensure compatible products, and immediate answers to your questions. With Engineering and Manufacturing offices in the U.K. and U.S. augmented by field offices throughout the U.S., U.K. and Asia, ProLabs is able to be our customers best advocate 24 hours a day.



Contact Information

ProLabs US

Email: sales@prolabs.com

Telephone: 952-852-0252

ProLabs UK

Email: salessupport@prolabs.com

Telephone: +44 1285 719 600