

JNP-QSFP-DACBO-10MA-C

Juniper Networks® JNP-QSFP-DACBO-10MA Compatible TAA 40GBase-CU QSFP+ to 4xSFP+ Direct Attach Cable (Active Twinax, 10m)

Features:

- QSFP End: Compliant with QSFP+ MSA Specifications
- SFP End: Compliant with SFP+ MSA Specifications
- 4 Independent Duplex Channels Operating at 10Gbps
- Support for 2.5Gbps, 5Gbps Data Rates
- All-Metal Housing for Superior EMI Performance
- Single Power Supply 3.3V, Low Power Consumption
- Operating Temperature: 0 to 70 Celsius
- RoHS Compliant and Lead-Free



Applications:

- 40GBase Ethernet
- Serial Data Transmission

Product Description

This is a Juniper Networks® JNP-QSFP-DACBO-10MA compatible 40GBase-CU QSFP+ to 4xSFP+ direct attach cable that operates over active copper with a maximum reach of 10.0m (32.8ft). It has been programmed, uniquely serialized, and data-traffic and application tested to ensure it is 100% compliant and functional. This direct attach cable is TAA (Trade Agreements Act) compliant, and is built to comply with MSA (Multi-Source Agreement) standards. We stand behind the quality of our products and proudly offer a limited lifetime warranty.

ProLabs' transceivers are RoHS compliant and lead-free.

TAA refers to the Trade Agreements Act (19 U.S.C. & 2501-2581), which is intended to foster fair and open international trade. TAA requires that the U.S. Government may acquire only "U.S.-made or designated country end products.")



Absolute Maximum Ratings

| Parameter | Symbol | Min. | Typ. | Max. | Unit | Notes |
|--------------------------|--------|------|------|-------------------|------|-------|
| Power Supply Voltage | Vcc | 3.14 | 3.3 | 3.46 | V | |
| Storage Temperature | Tstg | -40 | | 85 | °C | 1 |
| Operating Temperature | Tc | 0 | | 70 | °C | 2 |
| Bit Error Rate | BER | | | 10 ⁻¹² | | |
| Cable Impedance | Z | 90 | 100 | 110 | Ω | |
| Product Weight | GD | | 310 | g/PCS | | |
| Cable Weight | GC | | 170 | g/M | | 3 |
| QSFP End Dust Cap Weight | GQ | | 1.40 | g/PCS | | |
| SFP End Dust Cap Weight | GQ | | .80 | g/PCS | | |
| Wire Gauge | AWG | | 28 | | | |

Notes:

1. Ambient temperature.
2. Case Temperature.
3. The weight of unit length cable (four sticks). For example, the weight of a 10m cable is $310 + 170 * (10 - 1) + 0.80 * 4 + 1.40 = 1844.6g$.

QSFP Pin Descriptions

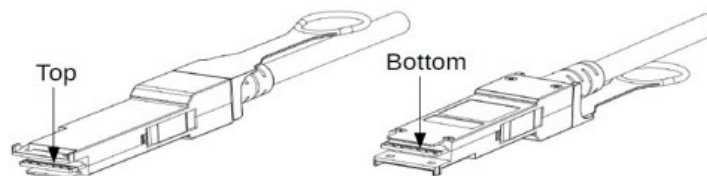
| Pin | Symbol | Name/Description | Notes |
|-----|---------|---|-------|
| 1 | GND | Module Ground. | 5 |
| 2 | Tx2- | Transmitter Inverted Data Input. LAN2. | |
| 3 | Tx2+ | Transmitter Non-Inverted Data Input. LAN2. | |
| 4 | GND | Module Ground. | 5 |
| 5 | Tx4- | Transmitter Inverted Data Input. LAN4. | |
| 6 | Tx4+ | Transmitter Non-Inverted Data Input. LAN4. | |
| 7 | GND | Module Ground. | 5 |
| 8 | ModSelL | Module Select Pin. The module responds to 2-wire serial communication when low level. | 1 |
| 9 | ResetL | Module Reset. | 2 |
| 10 | VccRx | +3.3V Receiver Power Supply. | |
| 11 | SCL | 2-Wire Serial Interface Clock. | |
| 12 | SDA | 2-Wire Serial Interface Data. | |
| 13 | GND | Module Ground. | 5 |
| 14 | Rx3+ | Receiver Non-Inverted Data Output. LAN3. | |
| 15 | Rx3- | Receiver Inverted Data Output. LAN3. | |
| 16 | GND | Module Ground. | 5 |
| 17 | Rx1+ | Receiver Non-Inverted Data Output. LAN1. | |
| 18 | Rx1- | Receiver Inverted Data Output. LAN1. | |
| 19 | GND | Module Ground. | 5 |
| 20 | GND | Module Ground. | 5 |
| 21 | Rx2- | Receiver Inverted Data Output. LAN2. | |
| 22 | Rx2+ | Receiver Non-Inverted Data Output. LAN2. | |
| 23 | GND | Module Ground. | 5 |
| 24 | Rx4- | Receiver Inverted Data Output. LAN4. | |
| 25 | Rx4+ | Receiver Non-Inverted Data Output. LAN4. | |
| 26 | GND | Module Ground. | 5 |
| 27 | MosPrsL | The module is inserted into the indicate pin and grounded within the module. | 3 |
| 28 | IntL | Interrupt. | 4 |
| 29 | VccTx | +3.3V Transmitter Power Supply. | |
| 30 | Vcc1 | +3.3V Power Supply. | |
| 31 | LPMode | Low-Power Mode. | 5 |
| 32 | GND | Module Ground. | 5 |
| 33 | Tx3+ | Transmitter Non-Inverted Data Input. LAN3. | |
| 34 | Tx3- | Transmitter Inverted Data Input. LAN3. | |
| 35 | GND | Module Ground. | 5 |

| | | | |
|----|------|--|---|
| 36 | Tx1+ | Transmitter Non-Inverted Data Input. LAN1. | |
| 37 | Tx1- | Transmitter Inverted Data Input. LAN1. | |
| 38 | GND | Module Ground. | 5 |

Notes:

1. ModSelL is the input pin. The module responds to 2-wire serial communication commands when it is held "low" by the host. ModSelL allows multiple QSFP modules to be used on a single 2-wire interface bus. If ModSelL is "high," the module will not respond to any 2-wire interface communication from the host. ModSelL has internal pull-up resistors in the module.
2. The module restart pin, when the low level on the ResetL pin lasts longer than the minimum pulse length, resets the module and restores all user modules to their default state. When performing reset device, the host should ignore all status bits. Until the module reset interrupt is completed, please note that, during hot plugging, the module will issue this information to complete the reset interrupt without resetting.
3. This pin is active "high," indicating that the module is running under a low-power module. The signal has no effect on the functionality of this product.
4. IntL is the output pin, which is the open collector output and must be pulled up to the Vcc with a 4.7kΩ to 10kΩ resistor on the motherboard. When it is "low," it indicates that the module may malfunction. The host uses a 2-wire serial interface to identify the interrupt source.
5. The circuit ground is internally isolated from the chassis ground.

QSFP End Pin Layout



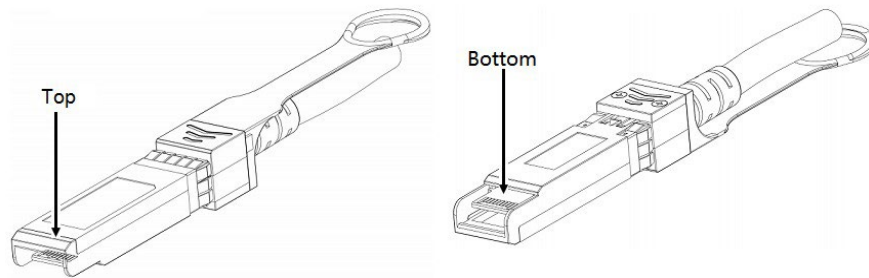
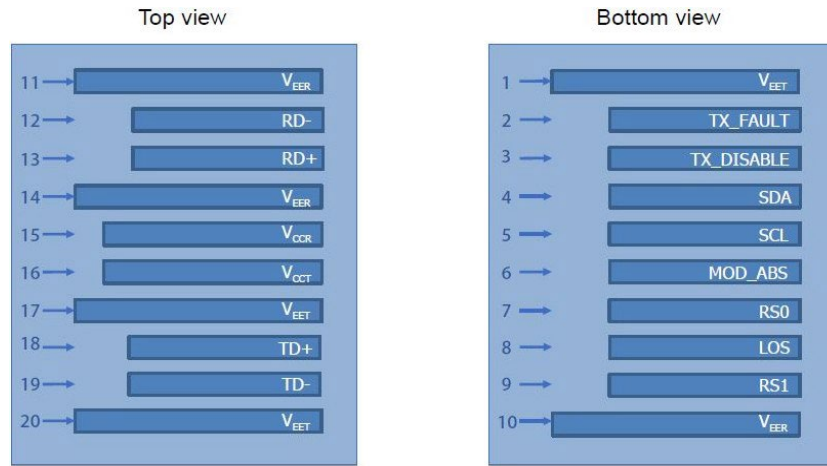
SFP+ Pin Descriptions

| Pin | Symbol | Name/Description | Notes |
|-----|------------|--|-------|
| 1 | VeeT | Transmitter Ground (Common with Receiver Ground). | 1 |
| 2 | Tx_Fault | Transmitter Fault. | |
| 3 | Tx_Disable | Transmitter Disable. Laser output disabled on "high" or "open." | 2 |
| 4 | SDA | Data Line for Serial ID. | 3 |
| 5 | SCL | Clock Line for Serial ID. | 3 |
| 6 | MOD_ABS | Module Absent. Grounded within the module. | 3 |
| 7 | RS0 | No Connection Required. | |
| 8 | LOS | Loss of Signal Indication. "Logic 0" indicates normal operation. | 4 |
| 9 | RS1 | No Connection Required. | |
| 10 | VeeR | Receiver Ground (Common with Transmitter Ground). | 1 |
| 11 | VeeR | Receiver Ground (Common with Transmitter Ground). | 1 |
| 12 | RD- | Receiver Inverted Data Out. AC Coupled. | |
| 13 | RD+ | Receiver Non-Inverted Data Out. AC Coupled. | |
| 14 | VeeR | Receiver Ground (Common with Transmitter Ground). | 1 |
| 15 | VccR | Receiver Power Supply. | |
| 16 | VccT | Transmitter Power Supply. | |
| 17 | VccT | Transmitter Ground (Common with Receiver Ground). | 1 |
| 18 | TD+ | Transmitter Non-Inverted Data In. AC Coupled. | |
| 19 | TD- | Transmitter Inverted Data In. AC Coupled. | |
| 20 | VeeT | Transmitter Ground (Common with Receiver Ground). | 1 |

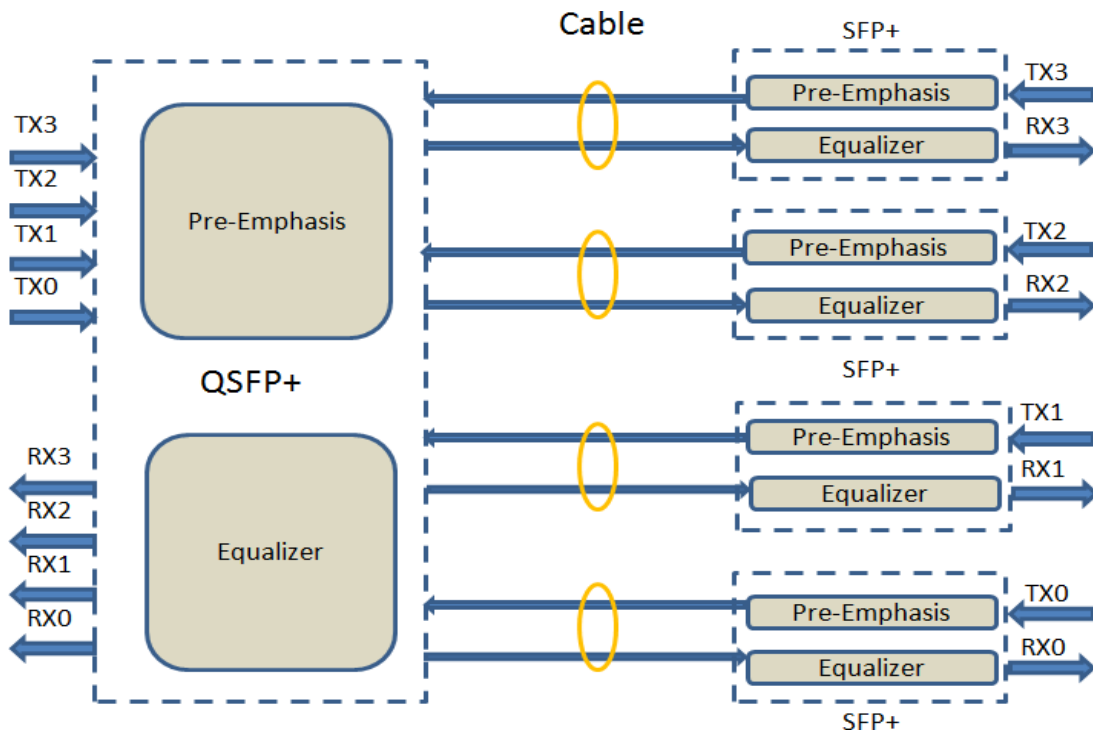
Notes:

1. The circuit ground is isolated from the chassis ground.
2. Disabled: Tdis>2V or Open, Enabled: Tdis<0.8V.
3. Should be pulled up with 4.7kΩ to 10kΩ on the host board to a voltage between 2V and 3.6V.
4. LOS is an open collector output.

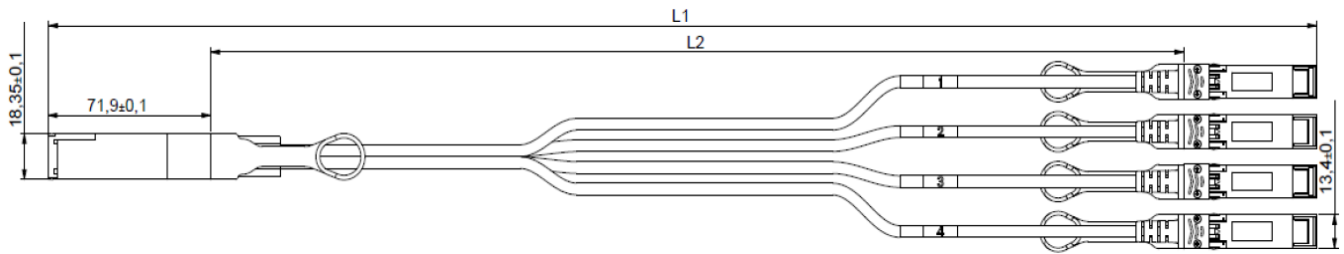
SFP End Pin Layout



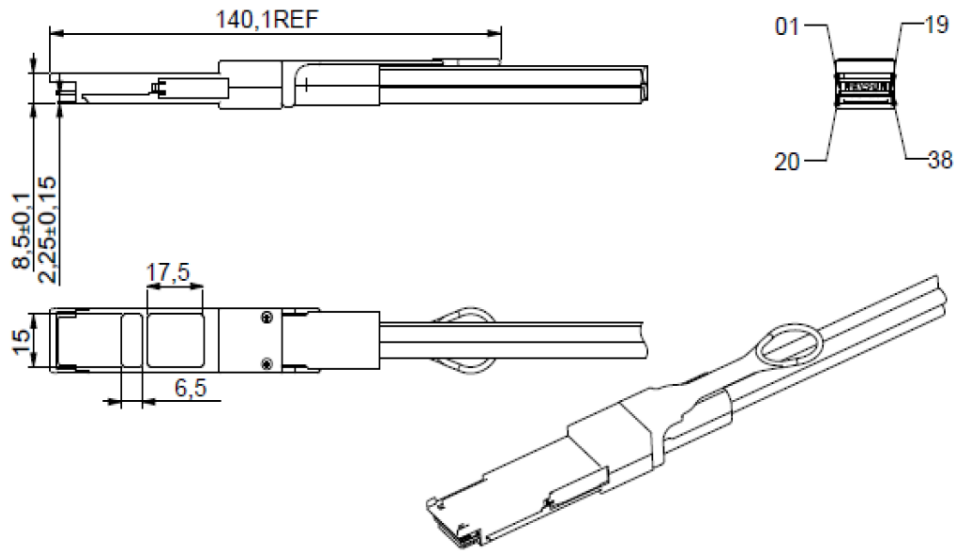
Block Diagram



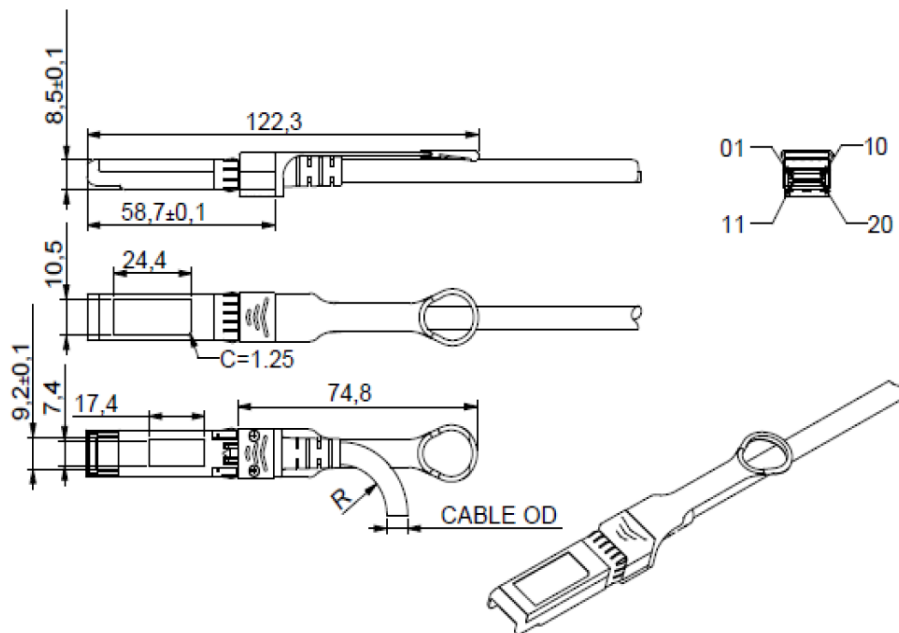
Mechanical Specifications



QSFP End



SFP End



About ProLabs

Our extensive experience comes as standard. For over 20 years ProLabs has delivered optical connectivity solutions that give our customers freedom and choice through our ability to provide seamless interoperability. At the heart of our company is the ability to provide state-of-the-art optical transport and connectivity solutions that are compatible with more than 100 optical switching and transport platforms.

A Complete Portfolio of Network Solutions

ProLabs is focused on innovations in optical transport and connectivity. The combination of our knowledge of optics and networking equipment enables ProLabs to be your single source for optical transport and connectivity solutions from 100Mb to 1.6T while providing innovative solutions that increase network efficiency. We provide the optical connectivity expertise that is compatible with and enhances your switching and transport equipment.

The Trusted Partner

Customer service is our number one value. ProLabs has invested in people, labs and manufacturing capacity to ensure compatible products, and immediate answers to your questions. With Engineering and Manufacturing offices in the U.K. and U.S. augmented by field offices throughout the U.S., U.K. and Asia, ProLabs is able to be our customers best advocate 24 hours a day.



Contact Information

ProLabs US

Email: sales@prolabs.com

Telephone: 952-852-0252

ProLabs UK

Email: salessupport@prolabs.com

Telephone: +44 1285 719 600