

JNP-QSFP-DAC-4M-OPC

Juniper Networks® JNP-QSFP-DAC-4M Compatible TAA Compliant 40GBase-CU QSFP+ to QSFP+ Direct Attach Cable (Passive Twinax, 4m)

Features

- Full duplex 4 channel parallel passive optical cable
- Transmission data rate up to 10.3Gbps per channel
- SFF-8436 QSFP+ compliant
- Hot pluggable electrical interface
- Low power consumption
- Housing isolated from connector ground
- Operating Temperature: 0 to 70 Celsius
- 3.3V power supply voltage
- RoHS Compliant and Lead-Free



Applications:

- Serial Data Transmission

Product Description

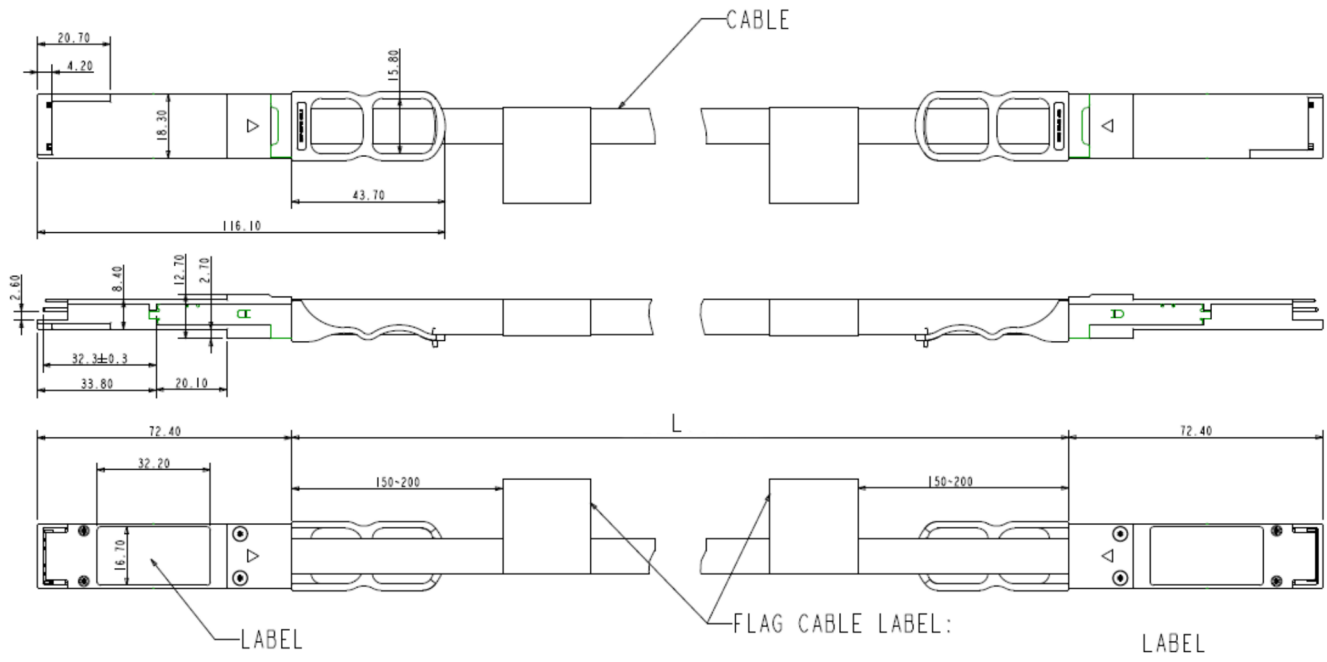
This is a Juniper Networks® JNP-QSFP-DAC-4M compatible 40GBase-CU QSFP+ to QSFP+ direct attach cable that operates over passive copper with a maximum reach of 4m. It has been programmed, uniquely serialized, and data-traffic and application tested to ensure it is 100% compliant and functional. This direct attach cable is TAA (Trade Agreements Act) compliant, and is built to comply with MSA (Multi-Source Agreement) standards. We stand behind the quality of our products and proudly offer a limited lifetime warranty.

OptioConnect's transceivers are RoHS compliant and lead-free.

Specifications

| Parameter | Specifications | Unit |
|--|--------------------------------|--------|
| Minimum Dielectric Withstand Voltage | 300 | VDC |
| Insulation Resistance | 1000 | MΩ |
| Current Rating | 0.5 Amp Minimum/Signal Contact | |
| Operating Temperature | 0 to 70 | °C |
| Flammability Rating (Plastics) | UL 94 | |
| Shield | Braid/Foil | |
| Connector | | |
| Back Shell Material | Nickel-Plated Zinc Diecast | |
| Contact Material | PCB with Gold-Plated Pads | |
| Maximum Insertion Force | 40 | N |
| Maximum Withdrawal Force | 30 | N |
| Durability | 250 | Cycles |
| Tightest Recommended Vertical Spacing (Belly-to-Belly) | 11.80 | mm |
| Tightest Recommended Vertical Spacing (Stacked) | 17.50 | mm |
| Cable | | |
| Conductor | Solid | |
| Wire Gauge | 28 | AWG |
| Impedance | 100±5 | Ω |
| Construction | Twinaxial | |
| Jacket Type | PVC | |

Mechanical Specifications



OptioConnect

Innovation for the Future of High-Speed Networking

Who We Are

OptioConnect is reshaping the landscape of communication and high-speed networking through intelligent technology. With a core focus on cutting edge technology, we deliver smarter fiber optic solutions for enterprise networks, data centers, and next-gen telecom infrastructures.

What We Do

At OptioConnect, we fuse advanced engineering with intelligent automation to drive the future of networking. Our AI-integrated solutions are designed to optimize performance and streamline operations with:

- Superior Performance
- Network and traffic optimization
- Intelligent energy management
- Seamless OEM compatibility
- Scalable cost-efficiency

Smarter Networks by Design

Innovation isn't just a goal—it's our process. We embed AI and machine learning across our R&D and product lines, enabling adaptive performance, automated tuning, and faster deployment cycles. The result? Networks that don't just work—they learn, evolve, and outperform.

Our Team

Our engineers, data scientists, and network architects bring decades of experience and a future-focused mindset. We provide hands-on support with intelligent insights that turn complex challenges into simple solutions.

Our Mission

To deliver AI-enhanced connectivity that reduces cost, increases speed, and maximizes efficiency—empowering our partners to operate at the forefront of a rapidly evolving digital world.

Let's Connect

Discover how OptioConnect's intelligent infrastructure solutions can power your network's next leap forward.

www.optioconnect.com | info@optioconnect.com

