

## 1AB187280029-C

Alcatel-Lucent Nokia® 1AB187280029 Compatible TAA Compliant 1000Base-LX SFP Transceiver (SMF, 1310nm, 15km, LC, -40 to 85C)

### Features:

- INF-8074 and SFF-8472 Compliance
- Duplex LC Connector
- Single-mode Fiber
- Industrial Temperature -40 to 85 Celsius
- Hot Pluggable
- Metal with Lower EMI
- Excellent ESD Protection
- RoHS Compliant and Lead Free



### Applications:

- 1000Base-LX Ethernet
- 1x Fibre Channel
- Access and Enterprise

### Product Description

This Alcatel-Lucent Nokia® 1AB187280029 compatible SFP transceiver provides 1000Base-LX throughput up to 15km over single-mode fiber (SMF) using a wavelength of 1310nm via an LC connector. It can operate at temperatures between -40 and 85C. It is guaranteed to be 100% compatible with the equivalent Alcatel-Lucent Nokia® transceiver. This easy to install, hot swappable transceiver has been programmed, uniquely serialized and data-traffic and application tested to ensure that it will initialize and perform identically. It is built to meet or exceed the specifications of Alcatel-Lucent® Nokia®, as well as to comply with MSA (Multi-Source Agreement) standards to ensure seamless network integration. This transceiver is Trade Agreements Act (TAA) compliant. We stand behind the quality of our products and proudly offer a limited lifetime warranty.

ProLabs' transceivers are RoHS compliant and lead-free.

TAA refers to the Trade Agreements Act (19 U.S.C. & 2501-2581), which is intended to foster fair and open international trade. TAA requires that the U.S. Government may acquire only "U.S.-made or designated country end products."



## Absolute Maximum Ratings

| Parameter                  | Symbol           | Min. | Max. | Unit |
|----------------------------|------------------|------|------|------|
| Maximum Supply Voltage     | V <sub>CC</sub>  | -0.5 | 4.0  | V    |
| Storage Temperature        | T <sub>stg</sub> | -40  | 85   | °C   |
| Operating Case Temperature | T <sub>c</sub>   | -40  | 85   | °C   |
| Operating Humidity         | RH               | 5    | 85   | %    |
| Receiver Power             | R <sub>MAX</sub> |      | 0    | dBm  |
| Maximum Bitrate            | B <sub>max</sub> |      | 1.25 | Gbps |

## Electrical Characteristics (T<sub>c</sub>=25°C, V<sub>CC</sub>=3.3 Volts)

| Parameter                      | Symbol              | Min. | Typ. | Max. | Unit | Notes |
|--------------------------------|---------------------|------|------|------|------|-------|
| Power Supply Voltage           | V <sub>CC</sub>     | 3.15 | 3.30 | 3.43 | V    |       |
| Power Supply Current           | I <sub>CC</sub>     |      |      | 303  | mA   |       |
| Power Consumption              |                     |      |      | 1    | W    |       |
| <b>Transmitter</b>             |                     |      |      |      |      |       |
| Differential Data Input Swing  | V <sub>IN,pp</sub>  | 120  |      | 850  | mV   |       |
| Input Differential Impedance   | Z <sub>IN</sub>     | 80   | 100  | 120  | Ω    |       |
| <b>Receiver</b>                |                     |      |      |      |      |       |
| Differential Data Output Swing | V <sub>OUT,pp</sub> | 300  |      | 850  | mV   |       |
| Output Differential Impedance  | Z <sub>IN</sub>     | 80   | 100  | 120  | Ω    |       |

## Optical Characteristics

| Parameter                      | Symbol           | Min. | Typ. | Max. | Unit | Notes |
|--------------------------------|------------------|------|------|------|------|-------|
| <b>Transmitter</b>             |                  |      |      |      |      |       |
| Optical Power (Average)        | P <sub>AVE</sub> | -9.5 |      | -3   | dBm  | 1     |
| Optical Extinction Ratio       | ER               | 9    |      |      | dB   |       |
| Optical Wavelength             | Tλ               | 1270 | 1310 | 1355 | nm   |       |
| Insertion Loss                 | IL               |      | 0.6  |      |      |       |
| <b>Receiver</b>                |                  |      |      |      |      |       |
| Receiver Sensitivity (Average) | R <sub>AVE</sub> |      |      | -24  | dBm  | 3     |
| Receiver Overload              | P <sub>max</sub> | 0    |      |      | dBm  | 4     |
| Optical Return Loss            | ORL              | 12   |      |      | dB   |       |
| Receiver Wavelength            | Rλ               | 1260 |      | 1565 | nm   |       |

### Notes:

1. Coupled into a single-mode fiber.
2. Per IEEE 802.3ah specification.
3. Average power, back-to-back, @1.25Gbps, BER 1E<sup>-12</sup>, and PRBS 2<sup>31</sup>-1.
4. Exceeding the Receiver Overload can physically damage the module. Please use appropriate attenuation.

## Pin Descriptions

| Pin | Symbol      | Name/Description   | Notes |
|-----|-------------|--|-------|
| 1   | VeeT        | Transmitter Ground (Common with Receiver Ground).                | 1     |
| 2   | Tx_Fault    | Transmitter Fault. Not Supported.                                |       |
| 3   | Tx_Disable  | Transmitter Disable. Laser output disabled on “high” or “open.”  | 2     |
| 4   | MOD_DEF (2) | Module Definition 2. Data Line for Serial ID.                    | 3     |
| 5   | MOD_DEF (1) | Module Definition 1. Clock Line for Serial ID.                   | 3     |
| 6   | MOD_DEF (0) | Module Definition 0. Grounded within the module.                 | 3     |
| 7   | Rate Select | No Connection Required.  |       |
| 8   | LOS         | Loss of Signal Indication. “Logic 0” indicates normal operation. | 4     |
| 9   | VeeR        | Receiver Ground (Common with Transmitter Ground).                | 1     |
| 10  | VeeR        | Receiver Ground (Common with Transmitter Ground).                | 1     |
| 11  | VeeR        | Receiver Ground (Common with Transmitter Ground).                | 1     |
| 12  | RD-         | Receiver Inverted Data Out. AC Coupled.                          |       |
| 13  | RD+         | Receiver Non-Inverted Data Out. AC Coupled.                      |       |
| 14  | VeeR        | Receiver Ground (Common with Transmitter Ground).                | 1     |
| 15  | VccR        | Receiver Power Supply.   |       |
| 16  | VccT        | Transmitter Power Supply.  |       |
| 17  | VeeT        | Transmitter Ground (Common with Receiver Ground).                | 1     |
| 18  | TD+         | Transmitter Non-Inverted Data In. AC Coupled.                    |       |
| 19  | TD-         | Transmitter Inverted Data In. AC Coupled.                        |       |
| 20  | VeeT        | Transmitter Ground (Common with Receiver Ground).                | 1     |

### Notes:

1. The circuit ground is isolated from the chassis ground.
2. Disabled:  $T_{DIS} > 2V$  or Open, Enabled:  $T_{DIS} < 0.8V$ .
3. Should be pulled up with  $4.7k\Omega$  to  $10k\Omega$  on the host board to a voltage between 2V and 3.6V.
4. LOS is an open collector output.



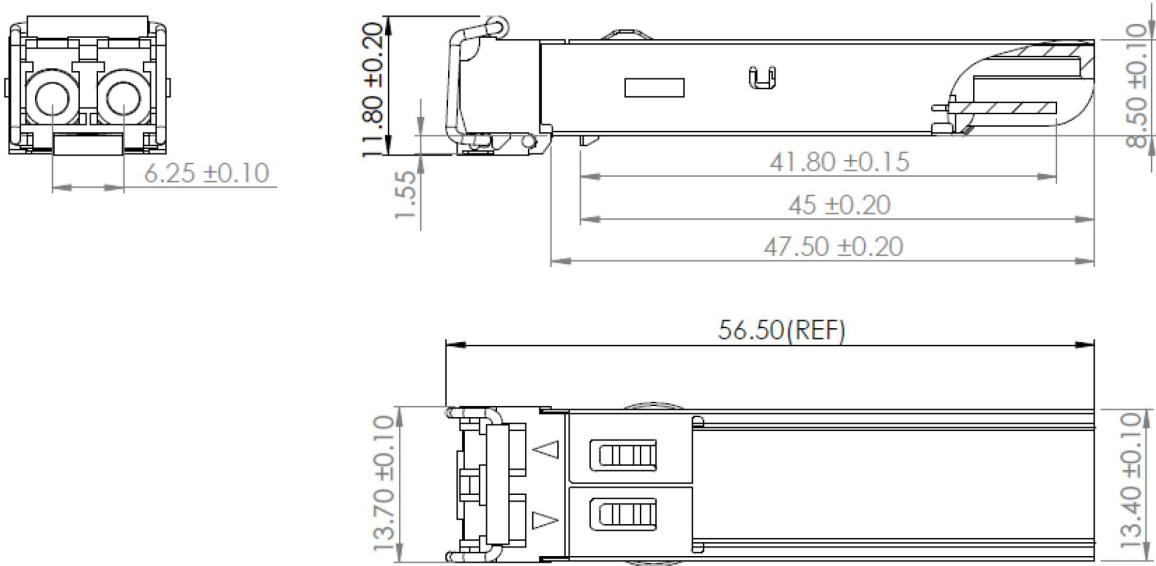
Pin-Out of Connector Block on the Host Board

Recommended Circuit Schematic



### Mechanical Specifications

Small Form Factor Pluggable (SFP) transceivers are compatible with the dimensions defined by the SFP Multi-Sourcing Agreement (MSA).



### EEPROM Information

EEPROM memory map-specific data field description is as below:



## About ProLabs

Our extensive experience comes as standard. For over 20 years ProLabs has delivered optical connectivity solutions that give our customers freedom and choice through our ability to provide seamless interoperability. At the heart of our company is the ability to provide state-of-the-art optical transport and connectivity solutions that are compatible with more than 100 optical switching and transport platforms.

## A Complete Portfolio of Network Solutions

ProLabs is focused on innovations in optical transport and connectivity. The combination of our knowledge of optics and networking equipment enables ProLabs to be your single source for optical transport and connectivity solutions from 100Mb to 1.6T while providing innovative solutions that increase network efficiency. We provide the optical connectivity expertise that is compatible with and enhances your switching and transport equipment.

## The Trusted Partner

Customer service is our number one value. ProLabs has invested in people, labs and manufacturing capacity to ensure compatible products, and immediate answers to your questions. With Engineering and Manufacturing offices in the U.K. and U.S. augmented by field offices throughout the U.S., U.K. and Asia, ProLabs is able to be our customers best advocate 24 hours a day.



## Contact Information

ProLabs US

Email: [sales@prolabs.com](mailto:sales@prolabs.com)

Telephone: 952-852-0252

ProLabs UK

Email: [salessupport@prolabs.com](mailto:salessupport@prolabs.com)

Telephone: +44 1285 719 600